



Chipsmall Limited consists of a professional team with an average of over 10 year of expertise in the distribution of electronic components. Based in Hongkong, we have already established firm and mutual-benefit business relationships with customers from,Europe,America and south Asia,supplying obsolete and hard-to-find components to meet their specific needs.

With the principle of “Quality Parts,Customers Priority,Honest Operation,and Considerate Service”,our business mainly focus on the distribution of electronic components. Line cards we deal with include Microchip,ALPS,ROHM,Xilinx,Pulse,ON,Everlight and Freescale. Main products comprise IC,Modules,Potentiometer,IC Socket,Relay,Connector.Our parts cover such applications as commercial,industrial, and automotives areas.

We are looking forward to setting up business relationship with you and hope to provide you with the best service and solution. Let us make a better world for our industry!



Contact us

Tel: +86-755-8981 8866 Fax: +86-755-8427 6832

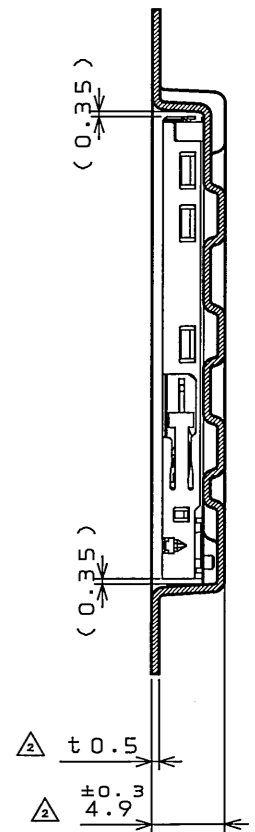
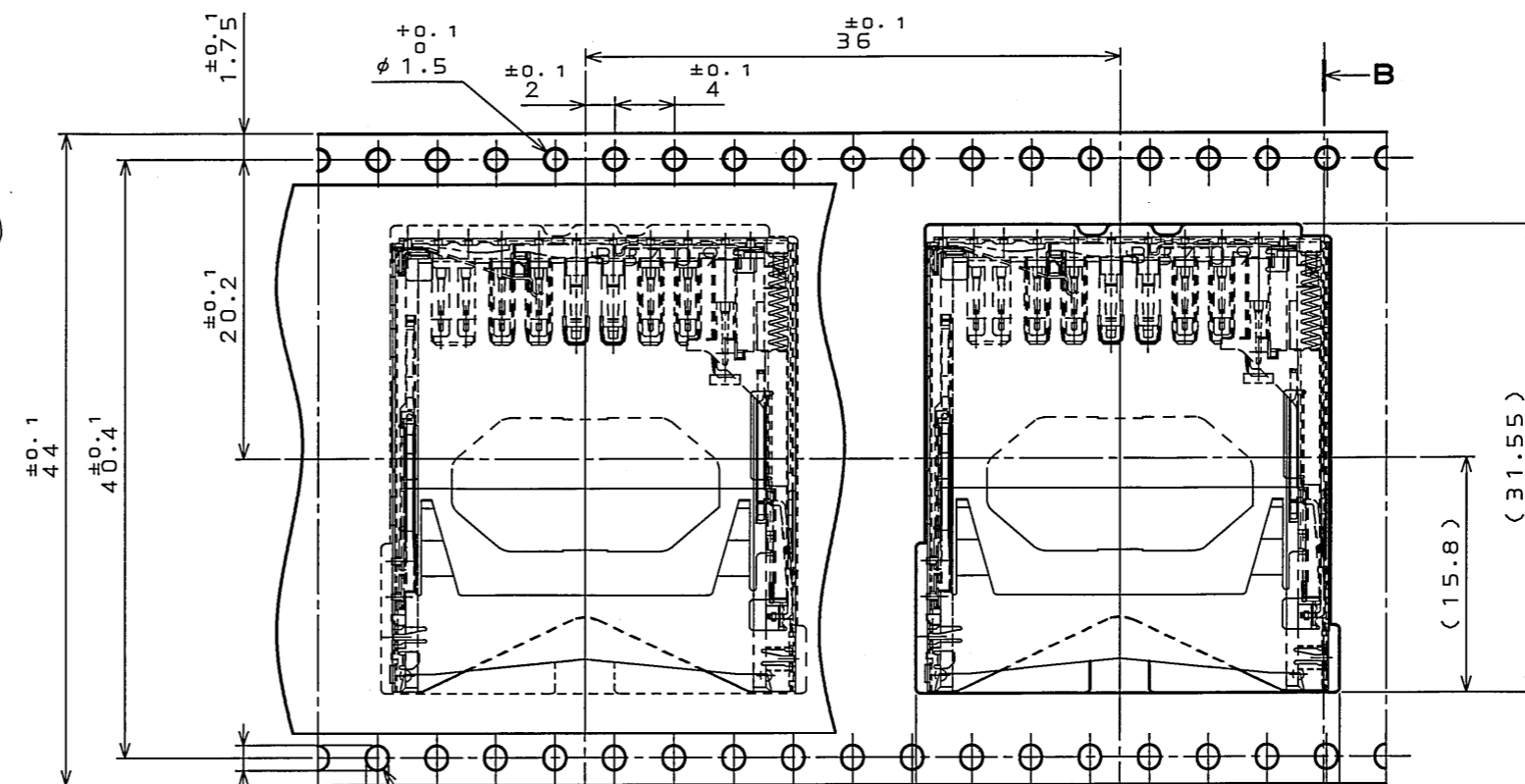
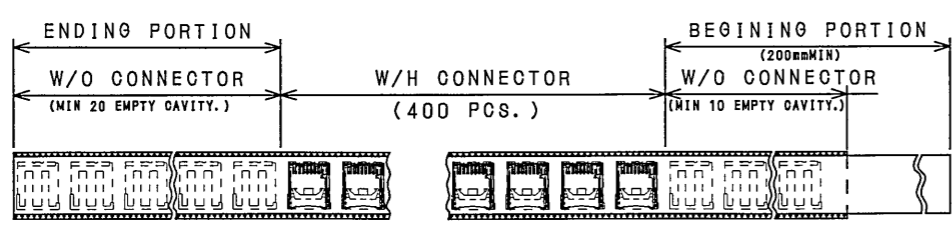
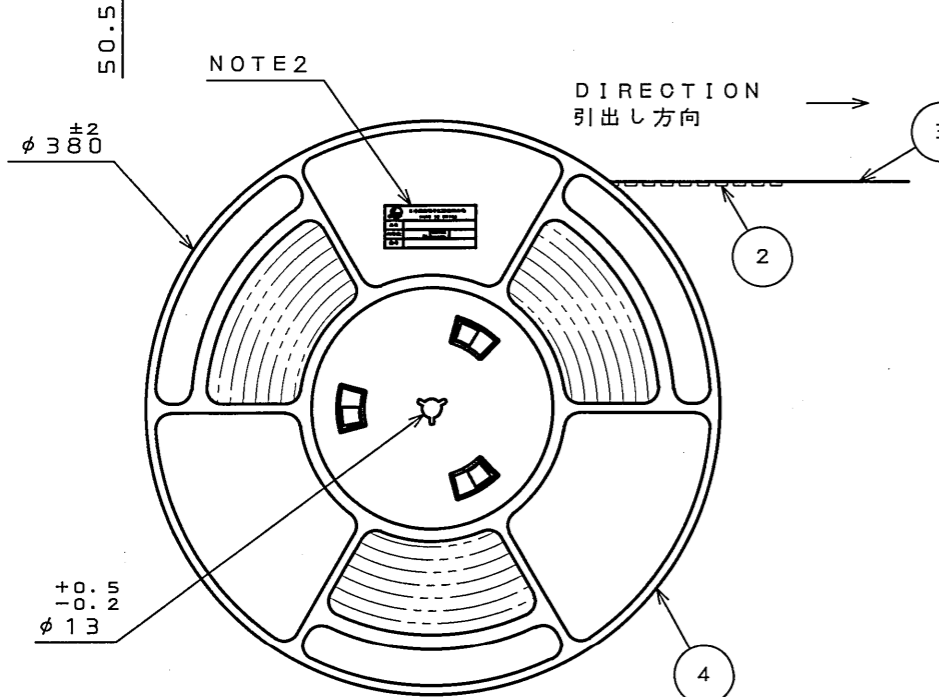
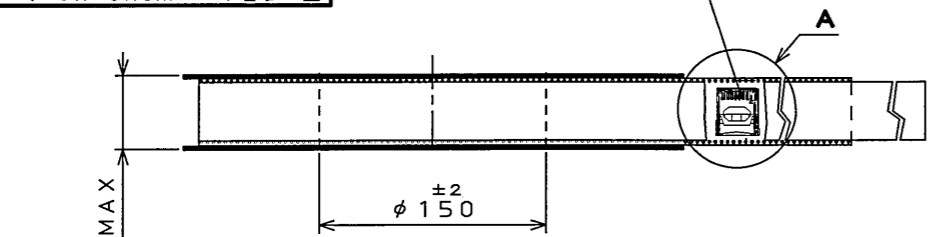
Email & Skype: info@chipsmall.com Web: www.chipsmall.com

Address: A1208, Overseas Decoration Building, #122 Zhenhua RD., Futian, Shenzhen, China



SJ038684
(DRAWING NO.)

版数 REV.	年月日 DATE	DCN NO.	変更内容 DESCRIPTION	製図 DR.	担当 CHK.	査閲 APPD.	承認 APPD.
2	21.Jan.2005	056356	CHANGED FORM		J.MOTOJIMA		A.NATORI
3	24.Mar.2005	057011	CHANGED REEL		J.MOTOJIMA		A.Natori



NOTE1. SUFFIX "R400" OF THE PART NUMBER INDICATES THAT 400 PCS. OF S05S009V1A1 CONNECTORS ARE ACCOMODATED IN ONE REEL.
 2. THE LABEL IS TO BE ATTACHED ON THE MAGAZINE AS SHOWN
 3. REFER TO THE DRAWING : SJ038633(S05S009V1A1) FOR THE DIMENSION OF THE CONNECTOR.

注1. "S05S009V1A1R400"は 収納数400個入りのリールに収納された品名を表す。
 2. 図示の位置に 下記のシールを貼り 品名、収納数、ロットNo. 及びテープの幅と送りピッチを記入すること。
 3. コネクタ寸法は SJ038633(S05S009V1A1)参照。

日本航空電子工業株式会社 MADE IN CHINA	
品名	S05S009V1A1R400
収納数	400 個入 製造年月日 (ロットNo.)
備考	TB4436

符号 NO.	名称 DESCRIPTION	個数 QTY.	材料 MATERIAL	仕上 FINISH	備考 REMARKS
4	REEL	1	PLASTIC		
3	COVER TAPE	1	POLYESTER		
2	CARRIER TAPE	1	PS		400 CAVITY
1	CONNECTOR	400			SJ038633

仕様書 (SPECIFICATION) JACS-1759-*	第1版 (ORIGINAL DATE) 18.Jul.2003	尺度 (SCALE) 1:5	シリーズ (SERIES) S05
製図 DR.	担当 CHK. J.MOTOJIMA	名称 (TITLE) S05S009V1A1R400	
査閲 APPD.	承認 APPD. K.SUZUKI	質量 (MASS)	

日本航空電子工業株式会社
 JAPAN AVIATION
 ELECTRONICS
 INDUSTRY, LTD.
 図面番号 (DRAWING NO.)
 SJ038684
 版数 (REV.)
 3

DOF-0-212E(03.08)

