



Chipsmall Limited consists of a professional team with an average of over 10 year of expertise in the distribution of electronic components. Based in Hongkong, we have already established firm and mutual-benefit business relationships with customers from,Europe,America and south Asia,supplying obsolete and hard-to-find components to meet their specific needs.

With the principle of “Quality Parts,Customers Priority,Honest Operation,and Considerate Service”,our business mainly focus on the distribution of electronic components. Line cards we deal with include Microchip,ALPS,ROHM,Xilinx,Pulse,ON,Everlight and Freescale. Main products comprise IC,Modules,Potentiometer,IC Socket,Relay,Connector.Our parts cover such applications as commercial,industrial, and automotives areas.

We are looking forward to setting up business relationship with you and hope to provide you with the best service and solution. Let us make a better world for our industry!



Contact us

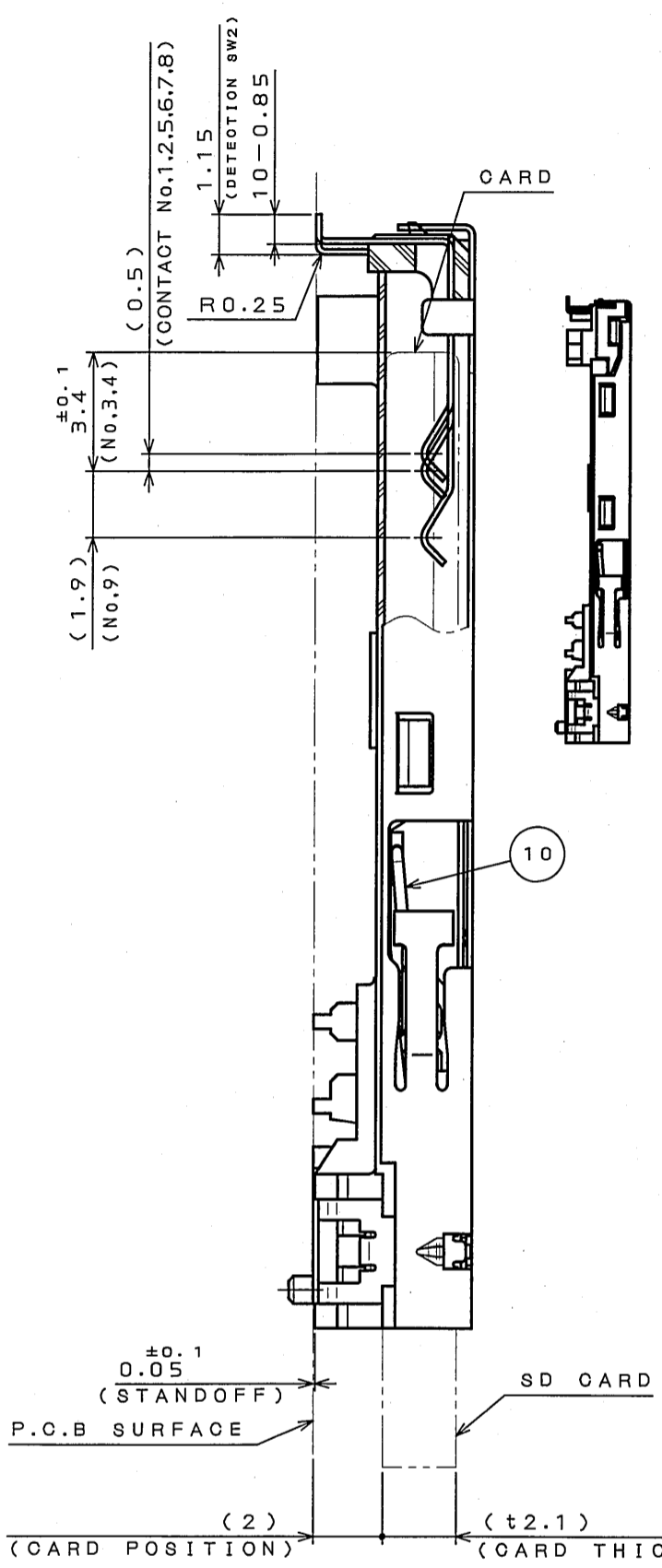
Tel: +86-755-8981 8866 Fax: +86-755-8427 6832

Email & Skype: info@chipsmall.com Web: www.chipsmall.com

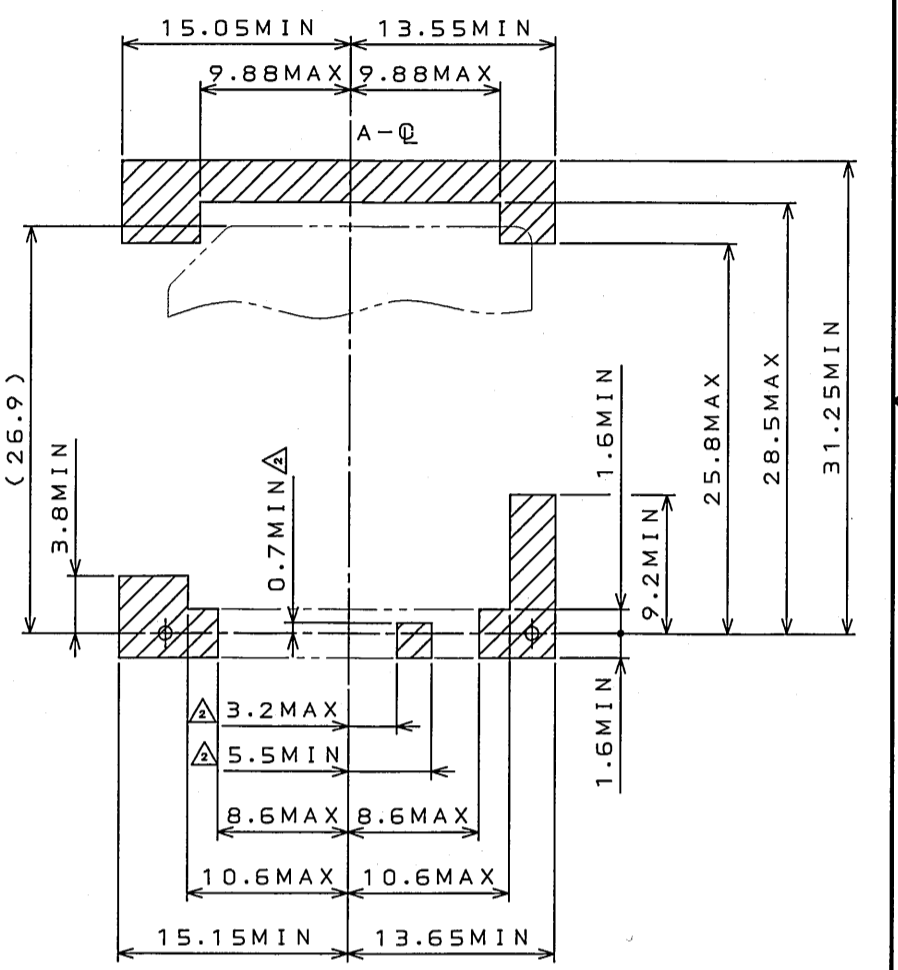
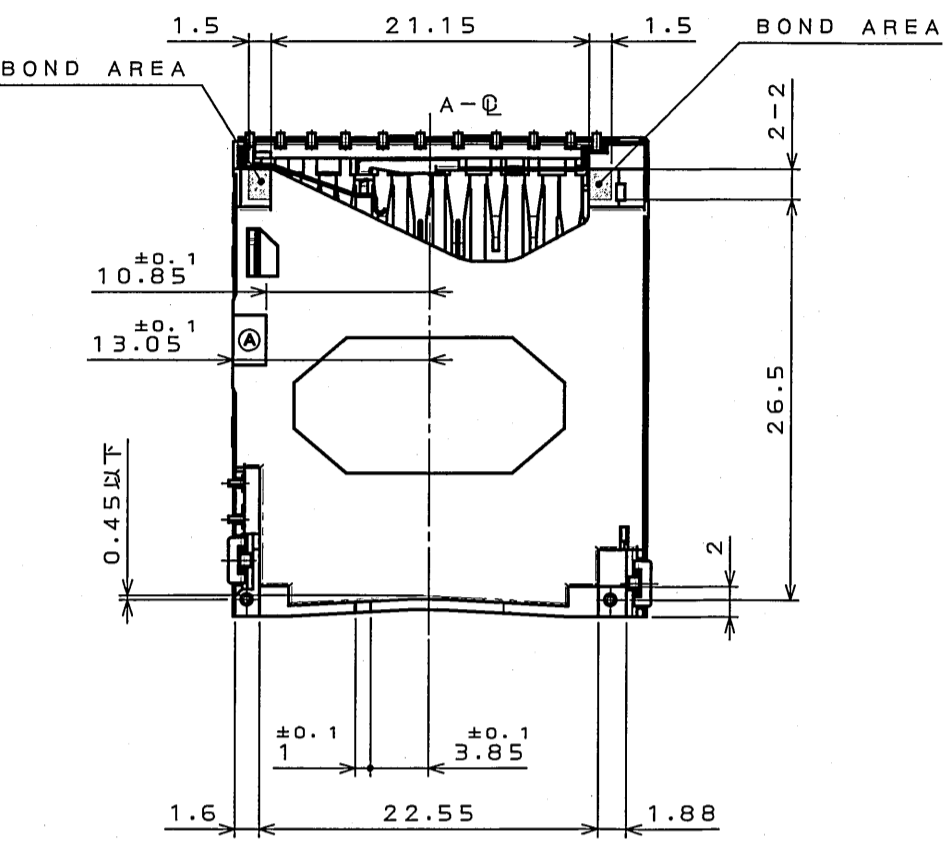
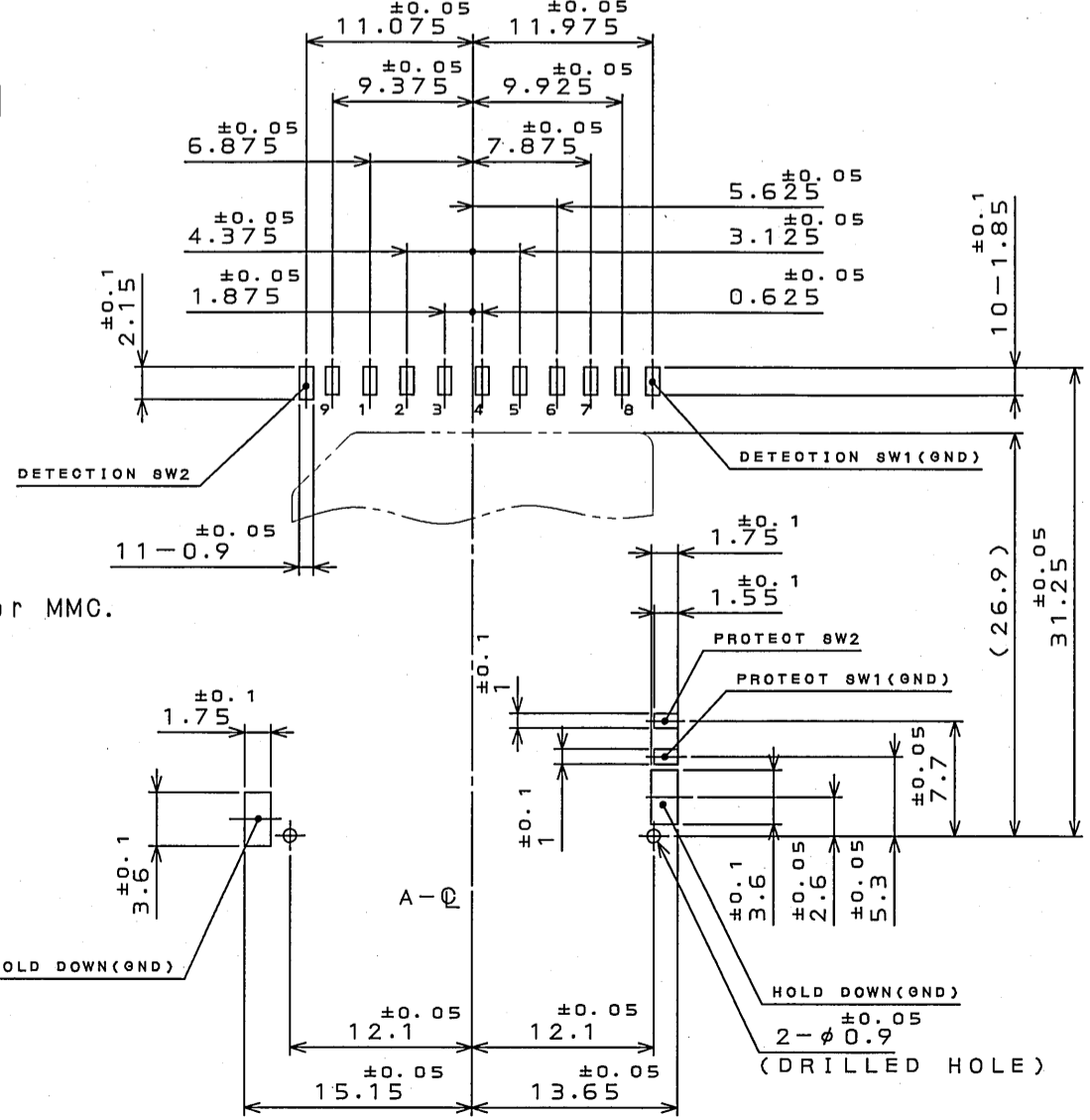
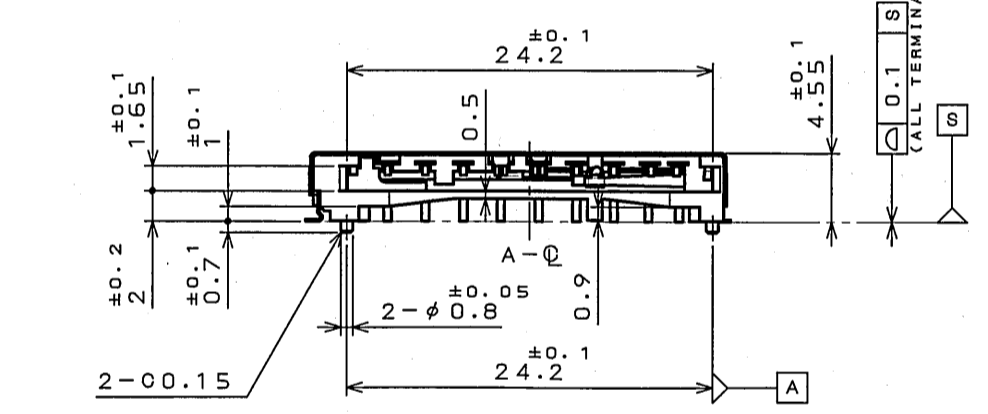
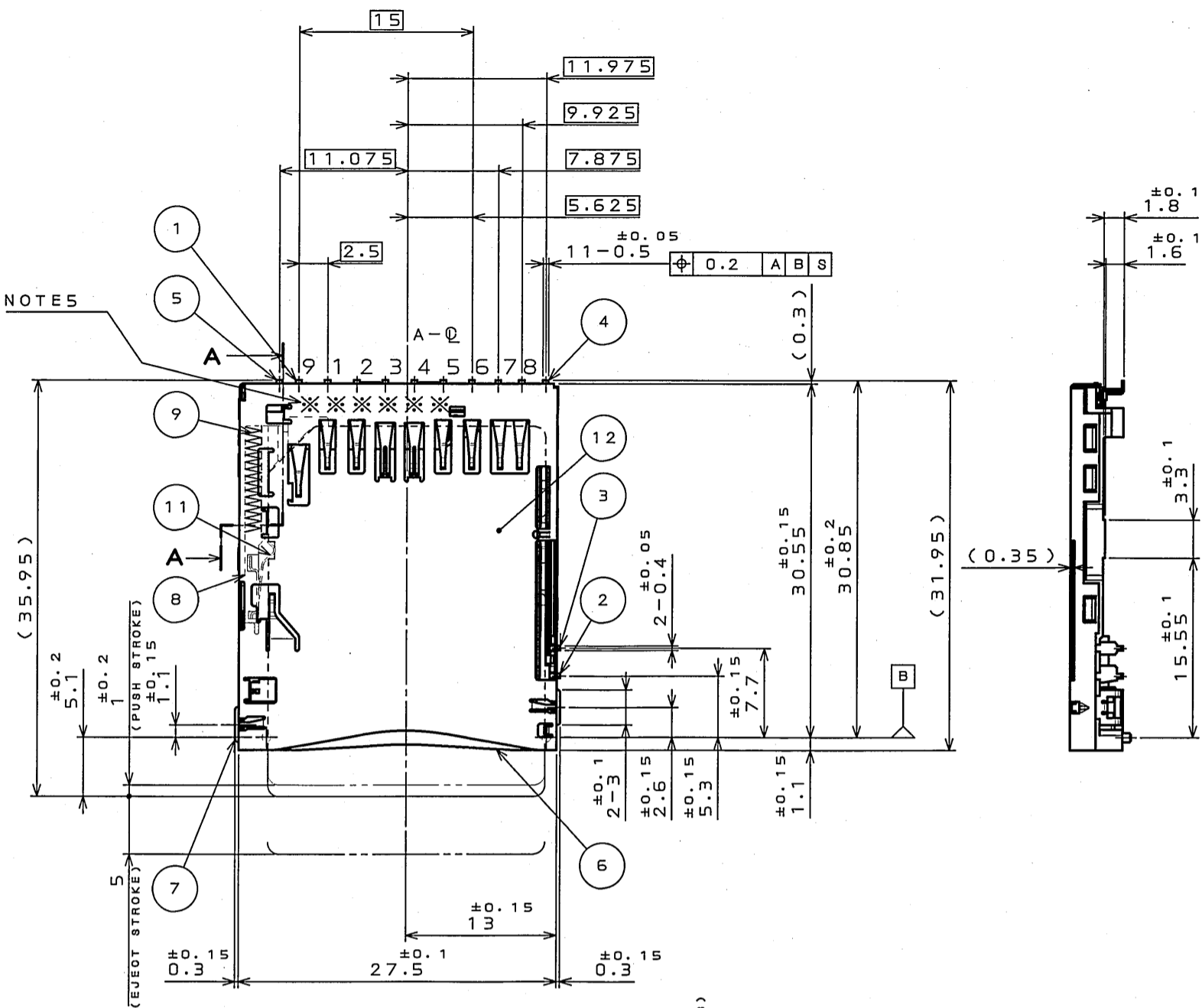
Address: A1208, Overseas Decoration Building, #122 Zhenhua RD., Futian, Shenzhen, China



版数 REV.	年月日 DATE	図番 NO.	変更内容 DESCRIPTION	製図 DR.	担当 CHK.	査閲 APPD.	承認 APPD.
2	30.May.2005	057113	ADDED DIMENSION		A.MATSUNAGA		A. Natori



SECT. A-A
(SCALE 5:1)



(NO PATTERNS IN THIS AREA)
部品搭載不可領域

NOTE1. Card locking function is available for inserted SD card only but not for MMC.
注1. カードロック機能は、SDカードのみの対応と致します。(MMCでは作動しません)
NOTE2. The thickness of reinforcement board is 0.5MIN. when the product will mount on FPC.
注2. FPC搭載時の補強板厚は0.6以上とする。
NOTE3. CIRCUIT (TABLE.1) (REFERENCE)
注3. 回路図(表1)(参考)
NOTE4. This dimension show the position of protect switch2 for hold down when connector was put on a surface plate.
注4. コネクタを定盤に置いた時のホルルト'タ'ウンに対する'プロテクトスイッチ2'の位置を示す。
NOTE5. Product lot number is as indicated.
ロット番号を表示する。

(EX.) C 38 121
MANUFACTURER CODE PRODUCTION LINE No.
DAY MONTH (1 TO 9 FOR JAN. TO SEPT. RESPECTIVELY OCT.,O. NOV. ;X. DEC.;Y)
YEAR (LAST DIGIT ONLY)

APPLICABLE P.C.B. DIMENSION (REF.)
適合基板寸法(参考)

TABLE1. CIRCUIT (REF.)

	WITHOUT CARD	CARD INSERTED	
		WRITE PROTECT: LOCK	WRITE PROTECT: UNLOCK
PROTECT SWITCH	② - GND - ③	② - GND - ③	② - GND - ③
DETECTION SWITCH	④ - GND - ⑤	④ - GND - ⑤	④ - GND - ⑤

NO.	DESCRIPTION	QTY.	MATERIAL	FINISH	REMARKS
12	COVER FRAME	1	STAINLESS STEEL		
11	CARD LOCK	1	STAINLESS STEEL		
10	CAM FOLLOWER	1	STAINLESS STEEL		
9	SPRING	1	PIANO WIRE	ZINC PLATING	
8	EJECT BAR	1	GLASS FILLED Ny		UL94 V-0
7	HOLD DOWN	2	COPPER ALLOY	GOLD FLASH OVER NICKEL	t0.15 ±0.03
6	HOUSING	1	GLASS FILLED LCP		UL94 V-0
5	DETECTION SWITCH2	1	COPPER ALLOY	CONTACTING AREA: GOLD OVER NICKEL TERMINAL AREA: GOLD FLASH OVER NICKEL	t0.15 ±0.03
4	DETECTION SWITCH1	1	COPPER ALLOY	CONTACTING AREA: GOLD OVER NICKEL TERMINAL AREA: GOLD FLASH OVER NICKEL	t0.15 ±0.03
3	PROTECT SWITCH2	1	COPPER ALLOY	CONTACTING AREA: GOLD OVER NICKEL TERMINAL AREA: GOLD FLASH OVER NICKEL	t0.15 ±0.03
2	PROTECT SWITCH1	1	COPPER ALLOY	CONTACTING AREA: GOLD OVER NICKEL TERMINAL AREA: GOLD FLASH OVER NICKEL	t0.15 ±0.03
1	CONTACT	9	COPPER ALLOY	CONTACTING AREA: GOLD OVER NICKEL TERMINAL AREA: GOLD FLASH OVER NICKEL	t0.15 ±0.03

仕様書 (SPECIFICATION) JACS-1758 JAH-10101	第1版 (ORIGINAL DATE) 3.MAR.2004	尺 (SCALE) 2:1	シリーズ (SERIES) S65	製図 DR. A.MATSUNAGA	名称 (TITLE) SG5S009V1D2	製図 DR. A.MATSUNAGA	承認 APPD. A.NATORI	承認 APPD. K.SUZUKI	質量 (MASS)	日本航空電子工業株式会社 JAE CONNECTOR DIV. ELECTRONICS INDUSTRY, LTD.	図面番号 (DRAWING NO.) SJ100842	版数 (REV.) 2
---	-----------------------------------	------------------	----------------------	-----------------------	---------------------------	-----------------------	----------------------	----------------------	-----------	---	--------------------------------	----------------