



Chipsmall Limited consists of a professional team with an average of over 10 year of expertise in the distribution of electronic components. Based in Hongkong, we have already established firm and mutual-benefit business relationships with customers from,Europe,America and south Asia,supplying obsolete and hard-to-find components to meet their specific needs.

With the principle of "Quality Parts,Customers Priority,Honest Operation,and Considerate Service",our business mainly focus on the distribution of electronic components. Line cards we deal with include Microchip,ALPS,ROHM,Xilinx,Pulse,ON,Everlight and Freescale. Main products comprise IC,Modules,Potentiometer,IC Socket,Relay,Connector.Our parts cover such applications as commercial,industrial, and automotives areas.

We are looking forward to setting up business relationship with you and hope to provide you with the best service and solution. Let us make a better world for our industry!



Contact us

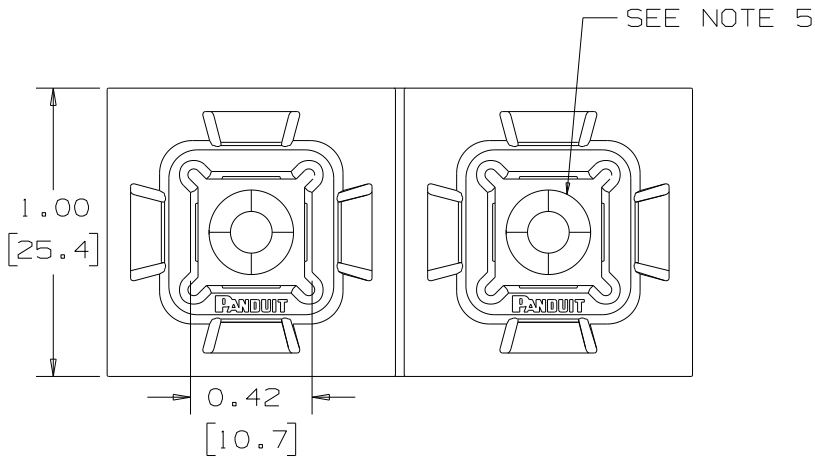
Tel: +86-755-8981 8866 Fax: +86-755-8427 6832

Email & Skype: info@chipsmall.com Web: www.chipsmall.com

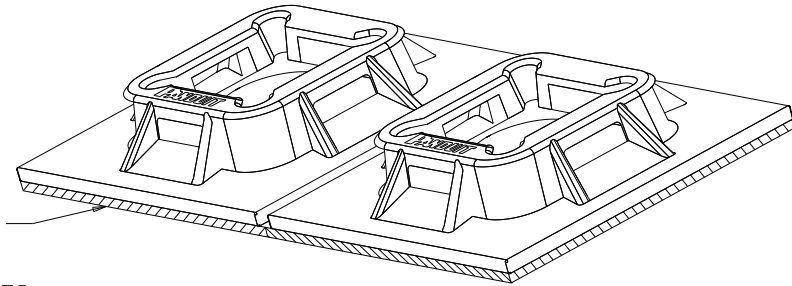
Address: A1208, Overseas Decoration Building, #122 Zhenhua RD., Futian, Shenzhen, China



THIS COPY IS PROVIDED ON A RESTRICTED BASIS AND IS NOT TO BE USED IN ANY WAY DETRIMENTAL TO THE INTERESTS OF PANDUIT CORP.



PANDUIT PART NUMBER*	WEIGHT lbs/100 pcs (g)/100 pcs	USE WITH ANY OF THESE CABLE TIE CROSS-SECTIONS
SGABM25-A ABM25	0.30 (140)	M, I, S SG100M, SG150I, SG200S, SG250S, SG300S, SG370S
SGABM25-AT ABM25B		
SGABM25-AV		

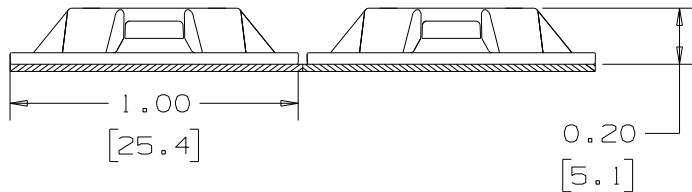



ADHESIVE BACKING: (-A, -AT) RUBBER OR ACRYLIC BASED ADHESIVE PRESSURE SENSITIVE FOAM TAPE 0.04 [1.0] THICK WITH A PROTECTIVE LINER. MOUNT IS DESIGNED TO SUPPORT 0.50 lbs (227g) MAX. WEIGHT ON A CLEAN DRY SMOOTH SURFACE.
 * (-AV) HIGH BOND ACRYLIC BASED ADHESIVE PRESSURE SENSITIVE FOAM TAPE 0.040 [1.0] THICK WITH A PROTECTIVE LINER. MOUNT IS DESIGNED TO SUPPORT 1.0 lbs (453.0g) MAX. WEIGHT ON A CLEAN DRY SMOOTH SURFACE.

NO WARRANTY, EXPRESSED OR IMPLIED, IS MADE BY PANDUIT WITH RESPECT TO ADHESIVE BOND PERFORMANCE. AMONG OTHER THINGS, THE CONDITIONS UNDER WHICH THESE MOUNTS MAY BE APPLIED AND/OR THE SURFACE TO WHICH THEY MAY BE APPLIED ARE BEYOND PANDUIT'S CONTROL.

NOTES

- SEE www.panduit.com FOR PART NUMBER SUFFIX DESIGNATION FOR PACKAGE SIZE AND COLOR.
- THE '-A' SUFFIX REPRESENTS RUBBER ADHESIVE. THE '-AT' SUFFIX REPRESENTS ACRYLIC ADHESIVE. THE '-AV' SUFFIX REPRESENTS HIGH BOND ACRYLIC ADHESIVE.
- SUPPLIED IN STRIPS OF TWO.
- THE '-A' MOUNT HAS A MAXIMUM CONTINUOUS OPERATING TEMPERATURE OF 120°F (49°C). THE '-AT' MOUNT HAS A MAXIMUM CONTINUOUS OPERATING TEMPERATURE OF 180°F (82°C). THE '-AV' MOUNT HAS A MAXIMUM CONTINUOUS OPERATING TEMPERATURE OF 200°F (93°C).
- HOLE FOR STANDARD #6 FLAT HEAD SCREW.



DIMENSIONS IN BRACKETS ARE METRIC [mm]	
CAD FILENAME/LAYERS	10B015BE_DC/00A
 CORP. TINLEY PARK, ILLINOIS	
SGABM25-A, SGABM25-AT, SGABM25-AV & ABM25, 25B FOUR-WAY MOUNT	

UNLESS OTHERWISE SPECIFIED, DIMENSIONAL TOLERANCES ARE: (.X) ±0.05 [1.3] (.XXX) ±0.010 [0.25] (.XX) ±0.02 [0.5] ANGLES ± 5°		UNLESS OTHERWISE SPECIFIED, ALL DIMENSIONS ARE GIVEN IN INCHES, THIRD ANGLE PROJECTION.	
DRAWN BY TMSA	MAT'L:	SCALE NONE	
DATE 8/24/05	NYLON 6/6	DRAWING NO.	DWG
CHK'D		GB0239LS	A
		SIZE	

REV	DATE	BY	CHK	DESCRIPTION	ECN	R	CUST	SUP
4	8/24/10	JADE	MJVE	ADDED PANDUIT WEBSITE TO NOTE 1; CHANGED PART NUMBER IN TITLE BLOCK AND CAD FILE NAME IN TITLE BLOCK	GB0239LS	4	MJVE	