



Chipsmall Limited consists of a professional team with an average of over 10 year of expertise in the distribution of electronic components. Based in Hongkong, we have already established firm and mutual-benefit business relationships with customers from,Europe,America and south Asia,supplying obsolete and hard-to-find components to meet their specific needs.

With the principle of “Quality Parts,Customers Priority,Honest Operation,and Considerate Service”,our business mainly focus on the distribution of electronic components. Line cards we deal with include Microchip,ALPS,ROHM,Xilinx,Pulse,ON,Everlight and Freescale. Main products comprise IC,Modules,Potentiometer,IC Socket,Relay,Connector.Our parts cover such applications as commercial,industrial, and automotives areas.

We are looking forward to setting up business relationship with you and hope to provide you with the best service and solution. Let us make a better world for our industry!



## Contact us

Tel: +86-755-8981 8866 Fax: +86-755-8427 6832

Email & Skype: info@chipsmall.com Web: www.chipsmall.com

Address: A1208, Overseas Decoration Building, #122 Zhenhua RD., Futian, Shenzhen, China



## Description

The IDT SGAS701 is a solid-state chemiresistor sensor designed to detect hydrogen in air. The sensor uses an integrated heater with highly sensitive MOx material tailored for detection of hydrogen.

The chemiresistor sensors of IDT's SGAS family are based upon the principle that metal oxide materials undergo surface interactions (physisorption and chemisorption) with gas molecules at elevated temperatures, resulting in a measurable change in electrical resistance. As these materials are polycrystalline (i.e., composed of multiple grains with distinct grain boundaries), the adsorbed gases have significant electronic effects on the individual grains. These gas-solid interactions result in a change in electron (or hole) density at the surface (i.e., a space charge forms), which in turn changes the electrical conductivity of the oxide. IDT has developed a set of nanostructured gas sensing materials with excellent sensitivity and stability.

### Figure 1. Product Photo



## Features

- High sensitivity to low hydrogen concentrations (< 10 to 1000 ppm)
- Fast response time (<15 seconds at 100ppm)
- Environmental temperature range of -20°C to 50°C
- Environmental humidity range of 0% to 90% RH, noncondensing
- Low dependence on flow rate
- Rugged, reliable sensor based on IDT's exclusive technology

## Typical Applications

- Leak Detection
- Gas Concentration Detection
- Breath Detection

## Available Support

- Evaluation Kit – SMOD701KITV1
- Application Notes
- Instruction Videos
- Reference Design

## Contents

1. Pin Assignments.....	4
2. Pin Descriptions.....	4
3. Sensor Specifications.....	4
4. Sensor Characteristics.....	5
5. Basic Measurement Circuit.....	6
6. Heater Driver Circuits and Control.....	7
6.1 Constant Voltage Drive.....	7
6.2 Constant Current Drive.....	8
6.3 Pulse-Width Modulation.....	8
6.4 Operating the Sensor at Temperature Extremes.....	9
7. Sensing Characteristics.....	10
7.1 Sensitivity.....	10
7.2 Response and Recovery Time.....	12
7.3 Cross-Sensitivity.....	13
8. Maximum ESD Ratings.....	14
9. Mechanical Stress Testing.....	14
10. Package Drawing and Dimensions.....	15
11. Applications and Use Conditions.....	16
12. Ordering Information.....	16
13. Revision History.....	16

## List of Figures

Figure 1. Product Photo.....	1
Figure 2. Pin Assignments for SGAS701 – Top View.....	4
Figure 3. Typical Sensor Response Characteristic.....	6
Figure 4. Basic Measurement Circuit.....	6
Figure 5. Three-Terminal Voltage Regulator.....	7
Figure 6. Voltage-Controlled Constant Current Circuit.....	8
Figure 7. Recommended Applied Heater Voltage as a Function of Environmental Temperature.....	9
Figure 8. Typical Sensor Response to a Range of Hydrogen Concentrations in a Background of 30% RH at Room Temperature.....	10
Figure 9. Typical Sensor Sensitivity to a Range of Hydrogen Concentrations in a Background of 30% RH at Room Temperature.....	11
Figure 10. Typical Sensor Response to Step Changes in Hydrogen Concentration for Four SGAS701 Sensors.....	12
Figure 11. Typical Sensor Response to other Common Gases.....	13
Figure 12. TO-39 Package (TO4) Outline Drawing PSC-4676.....	15

---

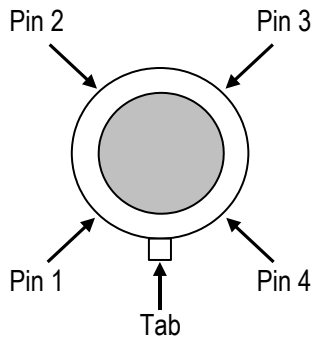
## List of Tables

Table 1.	Pin Descriptions.....	4
Table 2.	Electrical Specifications.....	4
Table 3.	Temperature Specifications.....	5
Table 4.	Maximum ESD Ratings .....	14
Table 5.	Mechanical Stress Test Conditions .....	14



## 1. Pin Assignments

**Figure 2. Pin Assignments for SGAS701 – Top View**



## 2. Pin Descriptions

**Table 1. Pin Descriptions**

Pin Number	Name	Description
1	Heater +	Positive input for $V_H$ heater voltage supply
2	Sensor +	High-side of resistive sensor element; positive input for sensing voltage $V_C$
3	Heater –	Negative (ground) input for $V_H$ heater voltage supply
4	Sensor –	Low-side of resistive sensor element; connects to middle of resistor divider circuit to produce sensing voltage output ( $V_{OUT}$ )

## 3. Sensor Specifications

**Note:** All measurements were made in dry gas at room temperature. Specifications are subject to change.

**Table 2. Electrical Specifications**

Symbol	Parameter	Conditions	Minimum	Typical	Maximum	Units
$P_H$	Heater power consumption	$V_H = 5.4V$		600		mW
$V_H$	Recommended heater voltage	$T_{SENSOR} = 240^{\circ}C$		5.4		VDC
$R_H$	Heater resistance	At room temperature	28	30	32	$\Omega$
$V_C$	Recommended sensing voltage		2.5		5.0	VDC
$R_{10}$	Resistance in 10ppm $H_2$		30		3000	k $\Omega$
$R_{100}$	Resistance in 100ppm $H_2$		10		1000	k $\Omega$
$R_{50} / R_{100}$	Resolution: Resistance in 50 ppm / Resistance in 100 ppm		> 1.2			

**Table 3. Temperature Specifications**

Symbol	Parameter	Conditions	Minimum	Typical	Maximum	Units
T <sub>OP</sub>	Sensor Operation Temperature	V <sub>H</sub> = 5.4V		240		°C
T <sub>AMB</sub>	Recommended Environmental Temperature Range		-20		50	°C
T <sub>STOR</sub>	Maximum Storage Temperature Range		-50		125	°C

The sensor is not intended for continuous operation above or below the environmental temperature specification, but exposure for short durations will not will not harm the sensor.

## 4. Sensor Characteristics

IDT's solid-state chemiresistive sensors are an advanced type of gas-sensitive resistor; i.e. they sense the presence of a target gas through a change in resistance of the sensing element. Most sensors exhibit reduced resistance as gas concentration increases, typically over several orders of magnitude across the sensing range.

Solid-state chemiresistive sensors show a reduced resistance with increasing gas concentration according to Equation 1:

$$R_S = A * C^{-\alpha} \quad \text{Equation 1}$$

where  $R_S$  is resistance,  $C$  is concentration, and  $A$  and  $\alpha$  are constants. Although several refined versions of this equation are available for specific sensors or sensing materials, the fundamental resistance versus concentration relationship for all of IDT's n-type sensors follows Equation 1. Taking the log of both sides of the equation results in Equation 2:

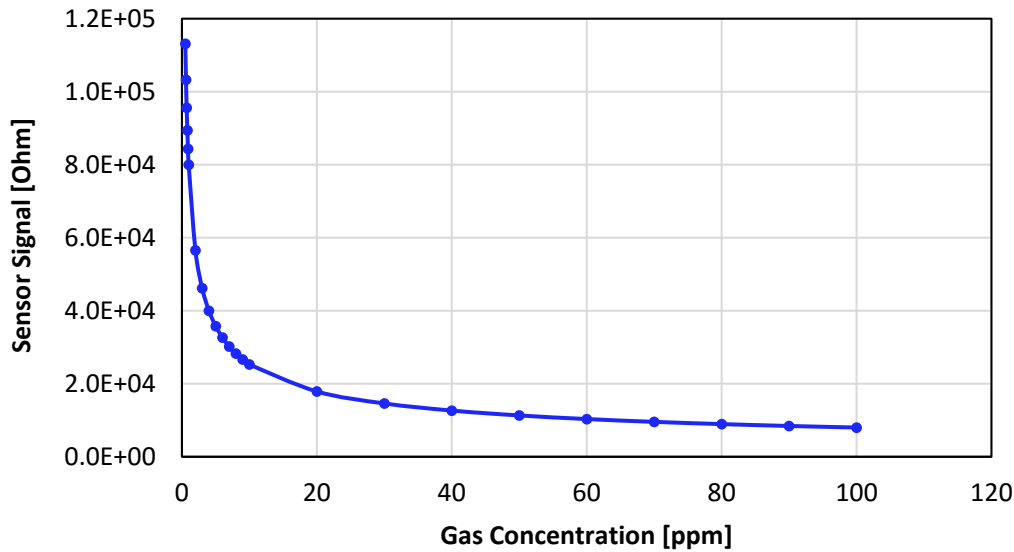
$$\log(R_S) = \log(A) - \alpha * \log(C) \quad \text{Equation 2}$$

This shows that log resistance versus log concentration is linear.

An immediately observable consequence of Equation 1 is that sensor resistance will change rapidly at low concentrations and much less at high concentrations. This is illustrated in the following example:

$$\begin{aligned} R_{GAS\_10ppm} &= 20k\Omega \\ R_{GAS\_100ppm} &= 5k\Omega \\ A_{GAS} &= 8.0 * 10^4 \\ \alpha_{air} &= 0.602 \end{aligned}$$

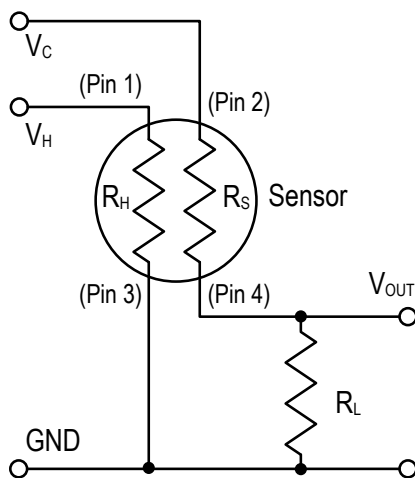
The non-logarithmic response plot shown in Figure 3 illustrates the fundamental challenge that must be addressed when measuring the resistance of chemiresistor sensors and relating these measurements to gas concentrations. Additional nonlinear effects from the measurement circuitry exacerbate these challenges and must be understood in order to account for or eliminate these effects.

**Figure 3. Typical Sensor Response Characteristic**


The electronic instrumentation used to detect this change in resistance influences the quality and accuracy of the gas sensing result. In particular, the choice of the analog front-end used to measure resistance can ultimately have a significant effect on overall measurement characteristics and must be selected with care. For additional information, see IDT's *Application Note – Resistance Measuring Circuits for SGAS Sensors*.

## 5. Basic Measurement Circuit

The sensor can be operated using a simple voltage divider. This requires two voltage supplies: the heater voltage ( $V_H$ ) and circuit voltage ( $V_C$ ).  $V_H$  is applied to the heater in order to maintain a constant, elevated temperature for optimum sensing.  $V_C$  is applied to allow a measurement of the output voltage ( $V_{OUT}$ ) across a load resistor ( $R_L$ ).

**Figure 4. Basic Measurement Circuit**


Pins 1 and 3 are attached to the heater. Apply  $V_H$  across these pins. Pins 2 and 4 are attached to the resistive sensor element. Connect these pins in the measurement circuit. IDT supplies basic measurement circuitry for many of our sensors. More information can be found in IDT's *Application Note – Resistance Measuring Circuits for SGAS Sensors*.

## 6. Heater Driver Circuits and Control

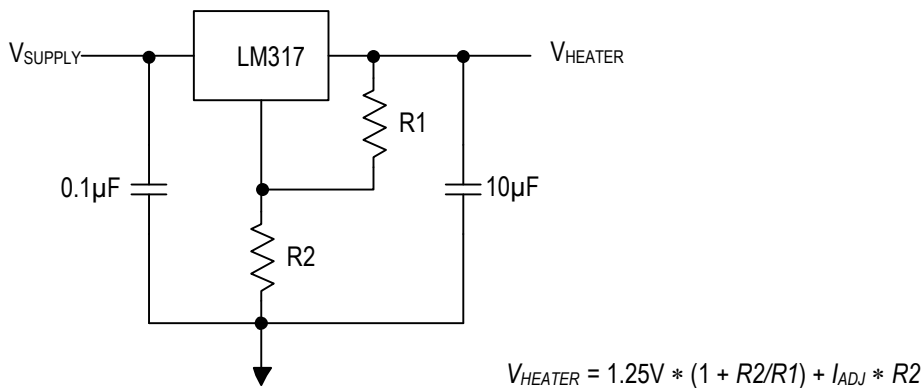
The SGAS701 sensor contains a resistive element that is used to heat the sensor to the target operating temperature as shown in Table 3. The SGAS701 sensor uses a thermistor heater element with a positive temperature coefficient, i.e. the heater resistance increases from the cold (room temperature) resistance as power is applied. This provides the opportunity for constant power and constant resistance (closely related to constant temperature) control of the heater.

### 6.1 Constant Voltage Drive

The simplest method of applying heater power is the use of a *constant voltage drive*. Because heaters draw a relatively large amount of current in normal operation, a method of current amplification is required. Additionally, because relatively small changes in voltage levels will affect the temperature of the heater (and consequently gas sensitivity), voltage regulation is required.

An easily implemented control circuit utilizes a three-terminal voltage regulator, with the LM317 serving as an example as shown in Figure 5.

**Figure 5. Three-Terminal Voltage Regulator**



R1 and R2 (one of these can be a potentiometer) are selected to provide the target heater drive voltage for the sensor. The example using the LM317 is capable of regulating voltages down to 1.25V and is thus suitable for SGAS701 sensors. However, a wide variety of more advanced three-terminal voltage regulators is available from component manufacturers.

Constant voltage circuits of this type are relatively efficient, particularly if a switching regulator is used. Adding external control of the regulator output voltage with a current sensing resistor would allow feedback control of the sensor heater power and temperature, but the required circuitry is somewhat complex. Applications requiring feedback control are better implemented with the constant current circuit that is described in section 6.2.



## 6.2 Constant Current Drive

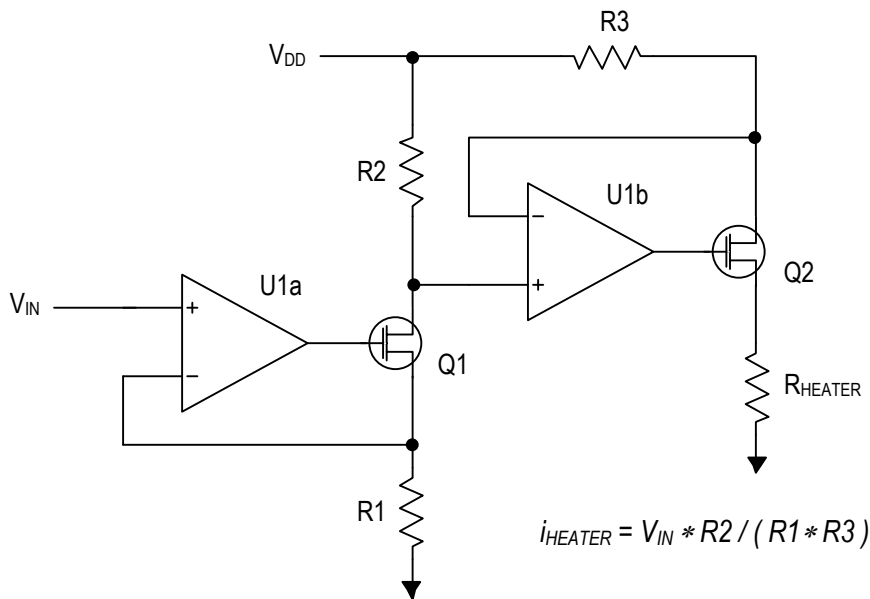
The *constant current drive* is more complex and costly than the constant voltage drive, but the added capabilities justify the expense for many applications. Additionally, the circuit is “microcontroller friendly” because the heater current is directly controllable via an input voltage signal, and feedback control of the heater is possible through a simple measurement of the resultant voltage on the heater.

The constant current heater drive circuit is shown in Figure 6.  $V_{IN}$  (supplied by an external source) is forced across  $R1$ , thus providing a predictable current through both  $R1$  and  $R2$ , with a predictable voltage drop (relative to  $V_{DD}$ ) across  $R2$ . An equivalent drop is imposed across  $R3$ , and current through both  $R3$  and  $R_{HEATER}$  is thus controlled independently of the load resistance according to the equation in Figure 6.

The heater current is controllable to below 1mA. However, the circuit is inefficient compared to others, as power is dissipated in  $R3$  and  $Q2$  as well as the heater. Limiting the supply voltage to several hundred mV above the highest required drive voltage will help increase circuit efficiency.

While  $V_{IN}$  can be supplied by a fixed voltage reference (such as a divider), the flexibility of the circuit is most revealed when  $V_{IN}$  is supplied by a microcontroller via a digital-to-analog converter (DAC). With this type of control, the heater drive can be time-programmed to allow pulsing of the heater with variable amplitude. Determination of the heater power or resistance is possible by reading the voltage level at the heater. Since the heater temperature directly correlates with heater resistance, direct feedback control of bulk heater temperature is possible by raising or lowering the heater current such that  $(V_{HEATER}/I_{HEATER})$  is constant. Likewise, constant heater power can be maintained by controlling current to keep  $(V_{HEATER} * I_{HEATER})$  constant.

**Figure 6. Voltage-Controlled Constant Current Circuit**



## 6.3 Pulse-Width Modulation

Pulse-width modulation (PWM) is a very efficient method of providing controllable drive to the heater. However, this method has not undergone sufficient testing at IDT to allow IDT to recommend it for any sensors in the SGAS family.

PWM heater drive design should keep the following in mind:

- Voltage to the heater should not exceed the maximum voltage allowed for a given heater family.
- A low-pass filter should be considered as part of the sensor signal circuit path to reduce noise from the heater PWM.

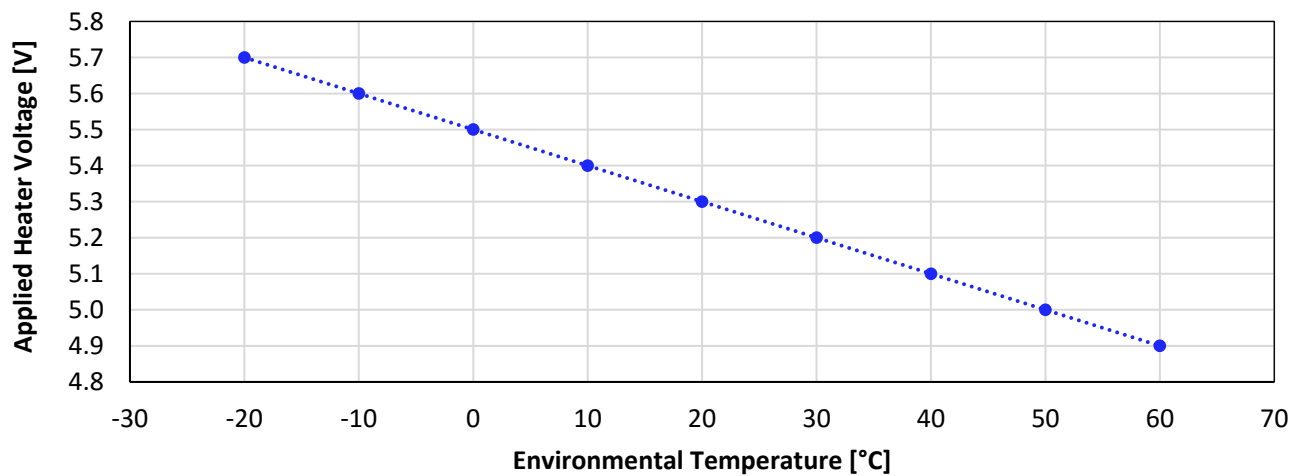
## 6.4 Operating the Sensor at Temperature Extremes

When this sensor is used outdoors, the relative response of the sensor to the target gases will be a function of environmental temperature when the sensor is operated with a constant voltage or current applied to the heater. This behavior is readily explained by considering that large shifts in ambient temperatures affect the operating temperature at the sensor surface, in turn altering the kinetics and thermodynamics of the interaction of the sensing surface with flammable gases. This alters the electrical conduction of the sensor element (the basis of metal-oxide sensor operation). Recommendation: In these cases, operate the sensor in a feedback loop, where constant resistance at the heater is maintained. For operation in ambient conditions above  $T_{AMB} = 50^{\circ}\text{C}$ , additional compensation of the sensor signal may be required and should be developed by the user with the specific application and operating conditions in mind. A graphical representation of the recommended temperature set-point voltage versus environmental temperature is shown in Figure 7.

The mathematical description for the curve is given in Equation 3:

$$V_H = -0.01 * \text{Environmental Temperature } [^{\circ}\text{C}] + 5.5 \quad \text{Equation 3}$$

**Figure 7. Recommended Applied Heater Voltage as a Function of Environmental Temperature**



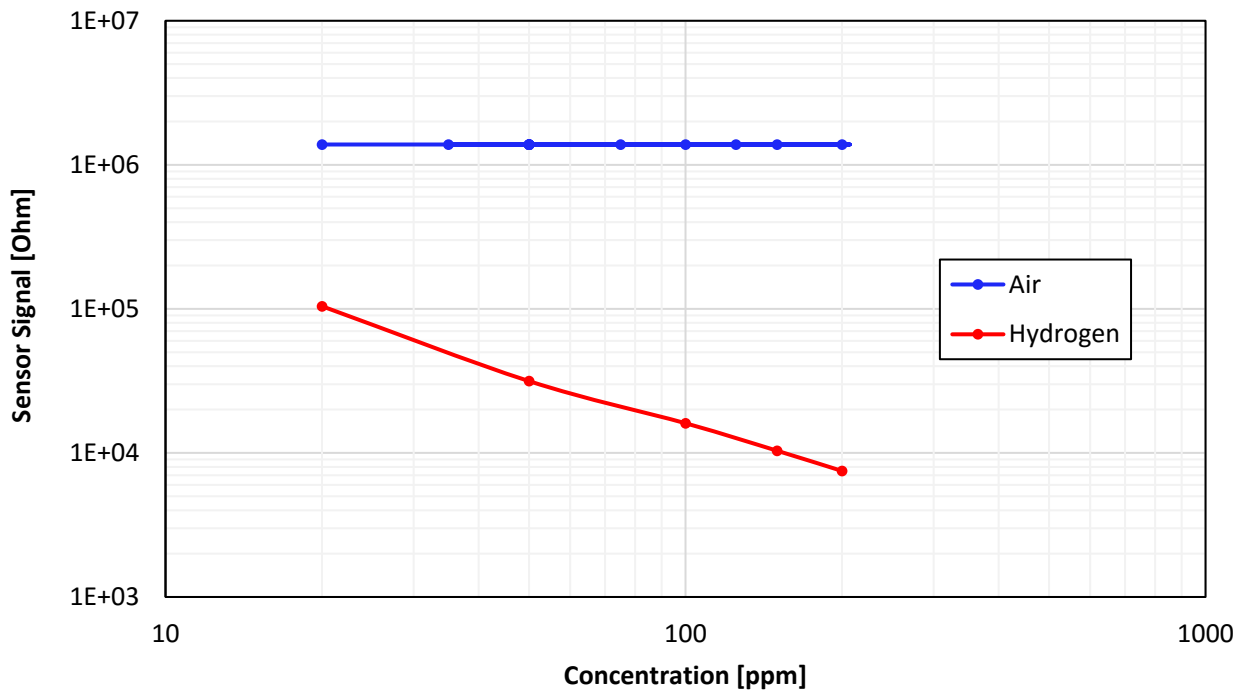
## 7. Sensing Characteristics

The following graphs show the typical responses that are to be expected from the sensors on exposure to a variety of test conditions. For SGAS701 sensor specifications, refer to Table 4.

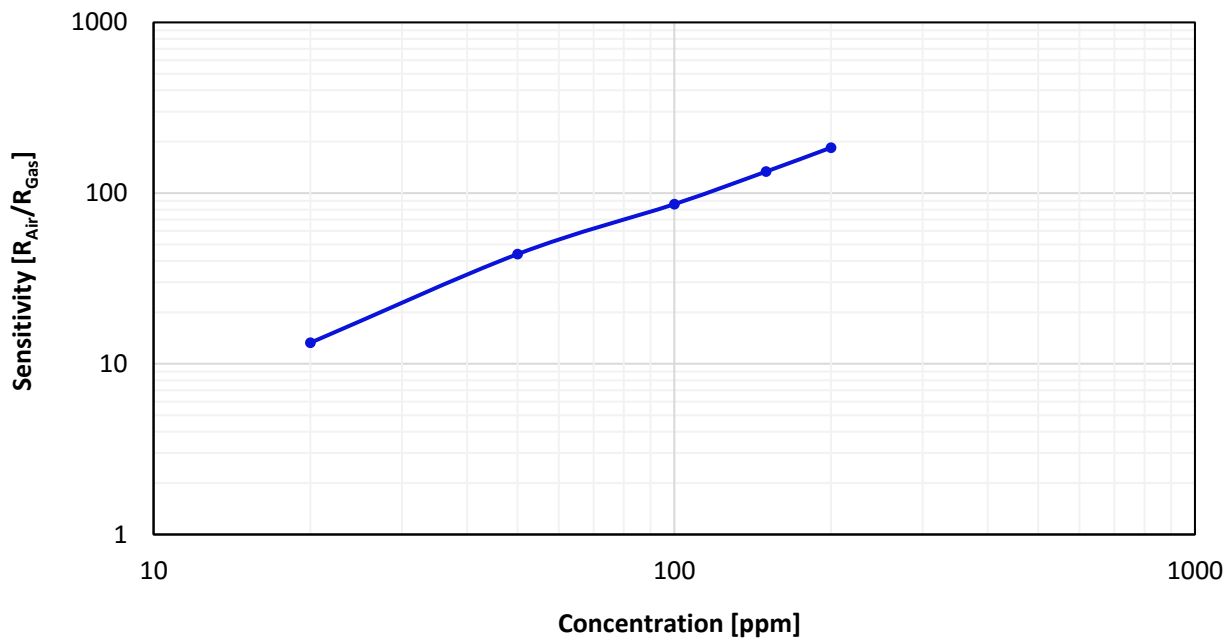
### 7.1 Sensitivity

The typical response and sensitivity of the SGAS701 sensor to hydrogen is shown in Figure 8 and Figure 9. Sensitivity is defined as the ratio between the resistance in air ( $R_{Air}$ ) and the resistance in gas ( $R_{Gas}$ ).

**Figure 8. Typical Sensor Response to a Range of Hydrogen Concentrations in a Background of 30% RH at Room Temperature**



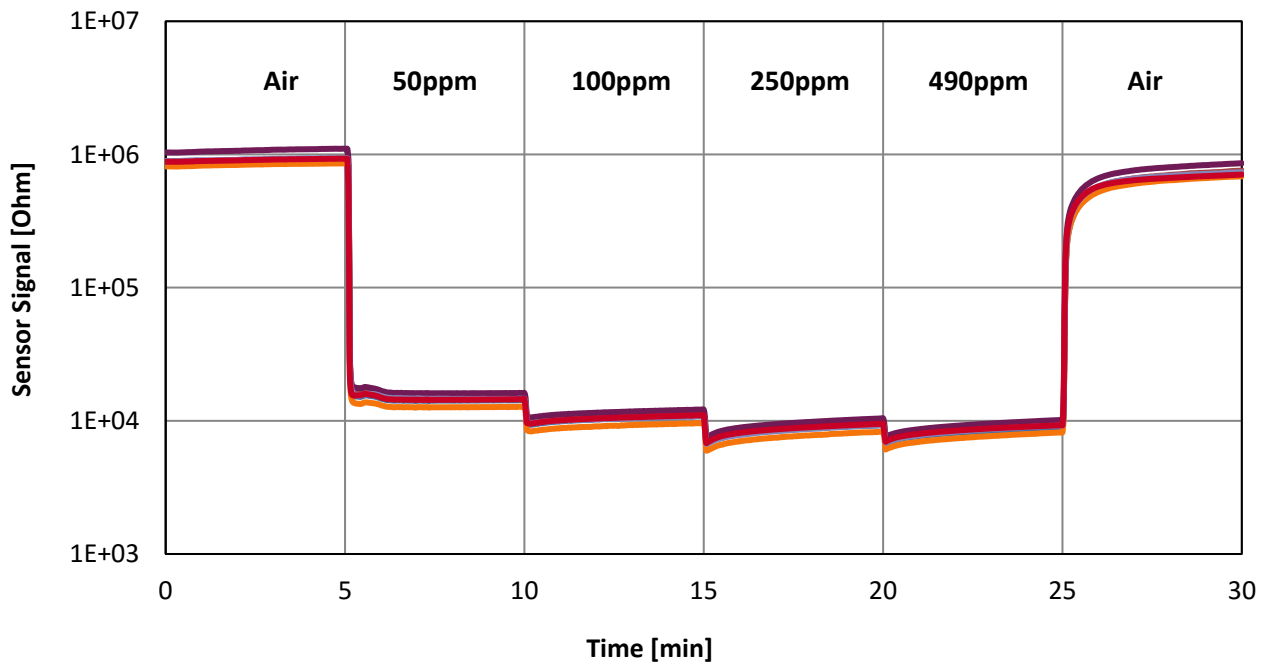
**Figure 9. Typical Sensor Sensitivity to a Range of Hydrogen Concentrations in a Background of 30% RH at Room Temperature**



## 7.2 Response and Recovery Time

The typical response and recovery time of a sampling of seven SGAS701 sensors is shown in Figure 10. The response and recovery time can be strongly affected by the sensor location within the system, including any barriers to diffusion of gas to and from the sensor surface, and whether the sensor is operated with or without a pump or other source of external flow.

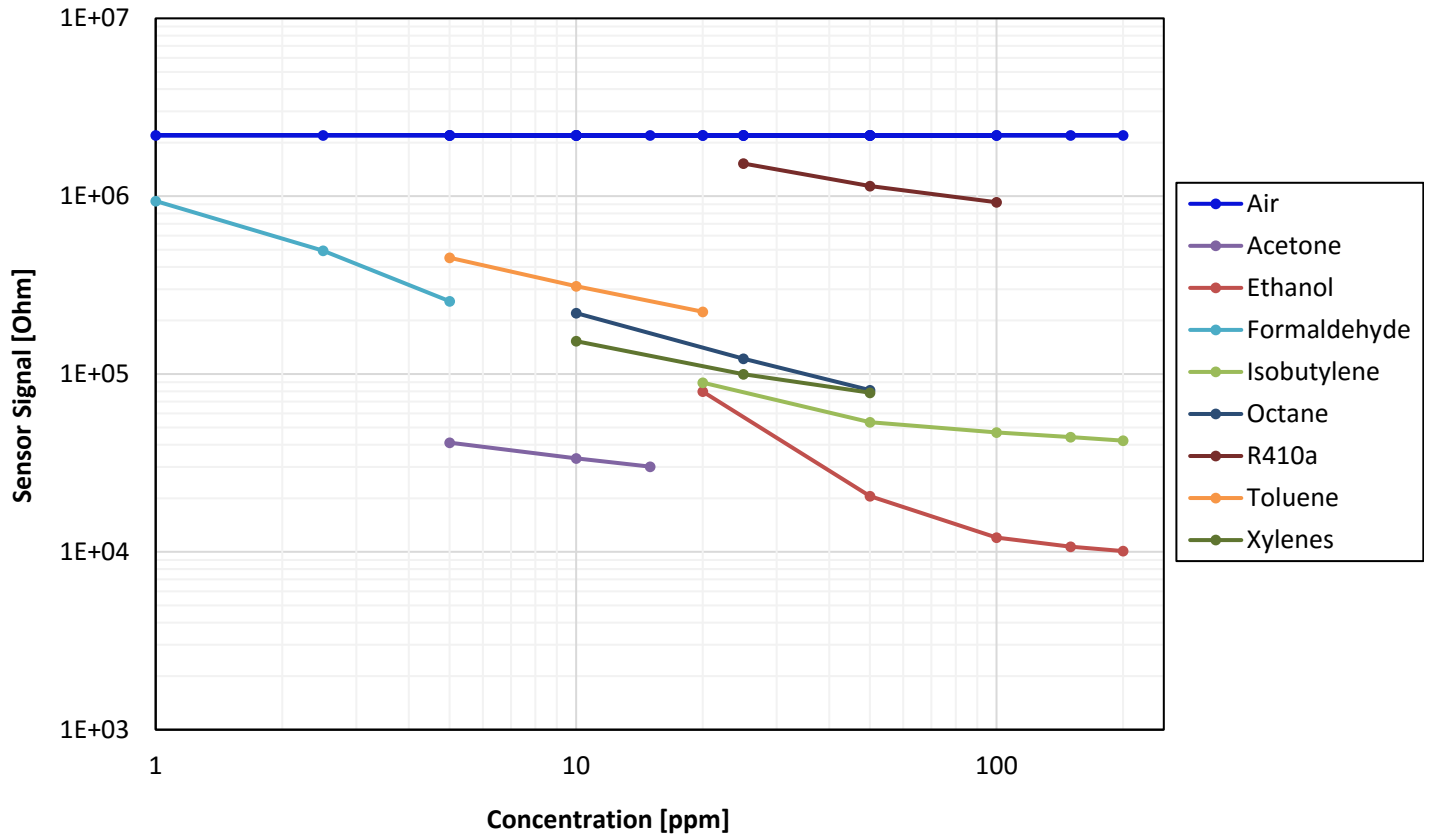
**Figure 10. Typical Sensor Response to Step Changes in Hydrogen Concentration for Four SGAS701 Sensors**



### 7.3 Cross-Sensitivity

The response of the SGAS701 sensors to a range of other common gases is shown in Figure 11.

**Figure 11. Typical Sensor Response to other Common Gases**





## 8. Maximum ESD Ratings

**Table 4. Maximum ESD Ratings**

Symbol	Parameter	Conditions	Minimum	Maximum	Units
V <sub>HBM1</sub>	Electrostatic Discharge Tolerance – Human Body Model (HBM1)		2000	–	V
V <sub>CDM</sub>	Electrostatic Discharge Tolerance – Charged Device Model (CDM) on Packaged Module		500	–	V

## 9. Mechanical Stress Testing

The qualification of the SGAS701 is based on the JEDEC standard (JESD47).

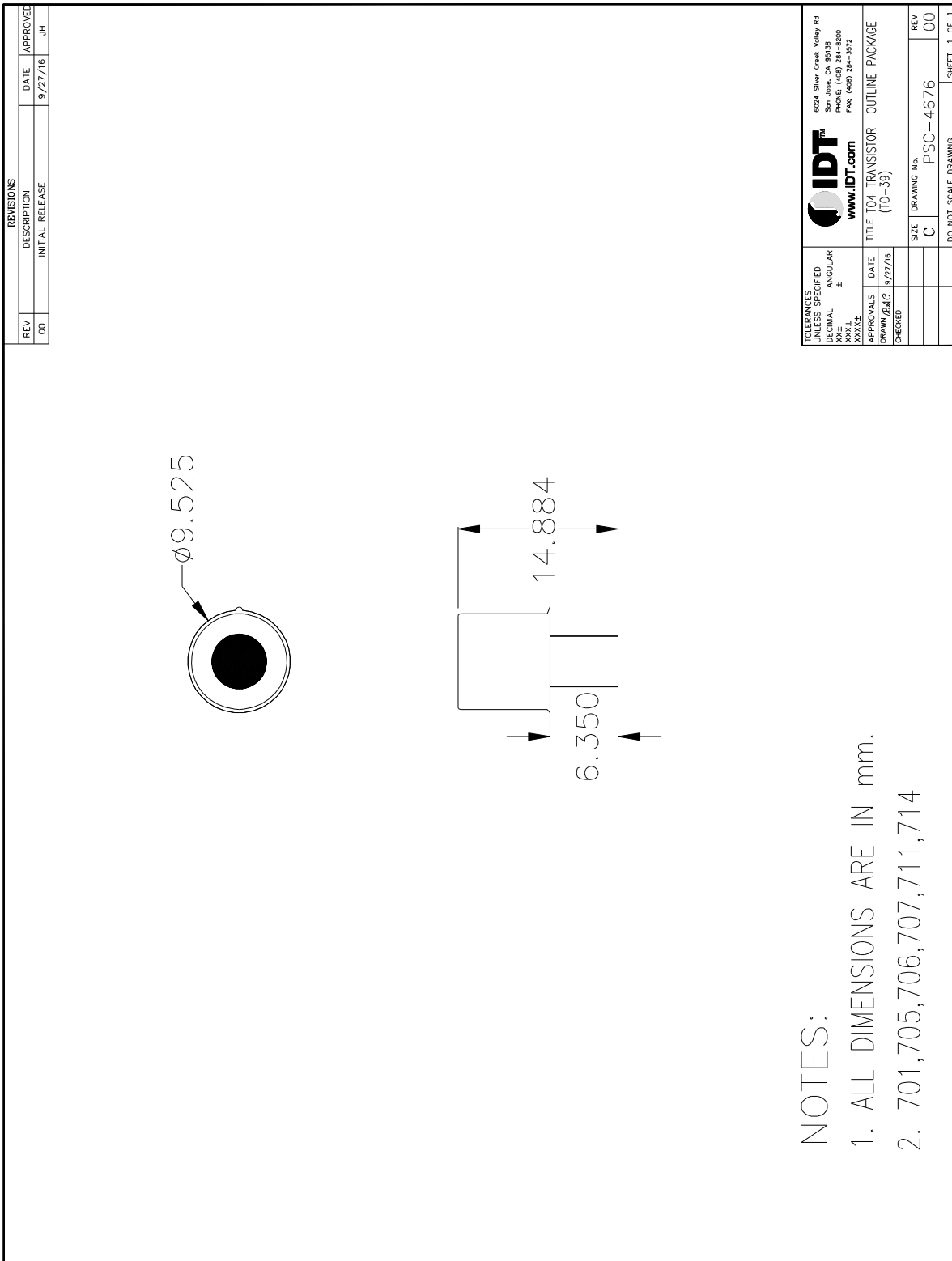
After subjection to the mechanical shock and vibration testing conditions given in Table 5 the SGAS701 sensor will meet the specifications given in this document. For information on constant acceleration test conditions and limits, contact IDT (see contact information on last page).

**Table 5. Mechanical Stress Test Conditions**

Stress Test	Standard	Conditions
Mechanical Shock	JESD22-B104, M2002	Y1 plane only, 5 pulses, 0.5 ms duration, 1500 g peak acceleration
Vibration Variable Frequency	JESD22-B103, M2007	20Hz to 2kHz (log variation) in > 4 minutes, 4 times in each orientation, 50g peak acceleration

# 10. Package Drawing and Dimensions

**Figure 12. TO-39 Package (TO4) Outline Drawing PSC-4676**



## 11. Applications and Use Conditions

The SGAS701 sensor is designed for gas leak detection and measurement of ppm levels of hydrogen. The sensor is not intended, recommended, or approved for use in safety or life protecting applications or in potentially explosive environments. IDT disclaims all liability for such use.

## 12. Ordering Information

Orderable Part Number	Package	MSL Rating	Shipping Packaging	Temperature
SGAS701	4-pin TO-39 (TO4)	1	Tray	-20°C to 50°C
SMOD701KITV1	SMOD701 Evaluation Kit, including the SMOD701 Smart Sensing Module (includes the SGAS701 sensor), mini-USB cable, and wall-mounted 9V power supply. The <i>SMOD7xx Application Software</i> is available for download at <a href="http://www.idt.com/SMOD701">www.idt.com/SMOD701</a> .			

## 13. Revision History

Revision Date	Description of Change
November 16, 2016	Minor correction.
October 25, 2017	Full revision.
November 9, 2016	Initial release with IDT branding.



### Corporate Headquarters

6024 Silver Creek Valley Road  
San Jose, CA 95138  
[www.IDT.com](http://www.IDT.com)

### Sales

1-800-345-7015 or 408-284-8200  
Fax: 408-284-2775  
[www.IDT.com/go/sales](http://www.IDT.com/go/sales)

### Tech Support

[www.IDT.com/go/support](http://www.IDT.com/go/support)

DISCLAIMER Integrated Device Technology, Inc. (IDT) and its affiliated companies (herein referred to as "IDT") reserve the right to modify the products and/or specifications described herein at any time, without notice, at IDT's sole discretion. Performance specifications and operating parameters of the described products are determined in an independent state and are not guaranteed to perform the same way when installed in customer products. The information contained herein is provided without representation or warranty of any kind, whether express or implied, including, but not limited to, the suitability of IDT's products for any particular purpose, an implied warranty of merchantability, or non-infringement of the intellectual property rights of others. This document is presented only as a guide and does not convey any license under intellectual property rights of IDT or any third parties.

IDT's products are not intended for use in applications involving extreme environmental conditions or in life support systems or similar devices where the failure or malfunction of an IDT product can be reasonably expected to significantly affect the health or safety of users. Anyone using an IDT product in such a manner does so at their own risk, absent an express, written agreement by IDT.

Integrated Device Technology, IDT and the IDT logo are trademarks or registered trademarks of IDT and its subsidiaries in the United States and other countries. Other trademarks used herein are the property of IDT or their respective third party owners. For datasheet type definitions and a glossary of common terms, visit [www.idt.com/go/glossary](http://www.idt.com/go/glossary). All contents of this document are copyright of Integrated Device Technology, Inc. All rights reserved.