



Chipsmall Limited consists of a professional team with an average of over 10 year of expertise in the distribution of electronic components. Based in Hongkong, we have already established firm and mutual-benefit business relationships with customers from,Europe,America and south Asia,supplying obsolete and hard-to-find components to meet their specific needs.

With the principle of "Quality Parts,Customers Priority,Honest Operation,and Considerate Service",our business mainly focus on the distribution of electronic components. Line cards we deal with include Microchip,ALPS,ROHM,Xilinx,Pulse,ON,Everlight and Freescale. Main products comprise IC,Modules,Potentiometer,IC Socket,Relay,Connector.Our parts cover such applications as commercial,industrial, and automotives areas.

We are looking forward to setting up business relationship with you and hope to provide you with the best service and solution. Let us make a better world for our industry!



Contact us

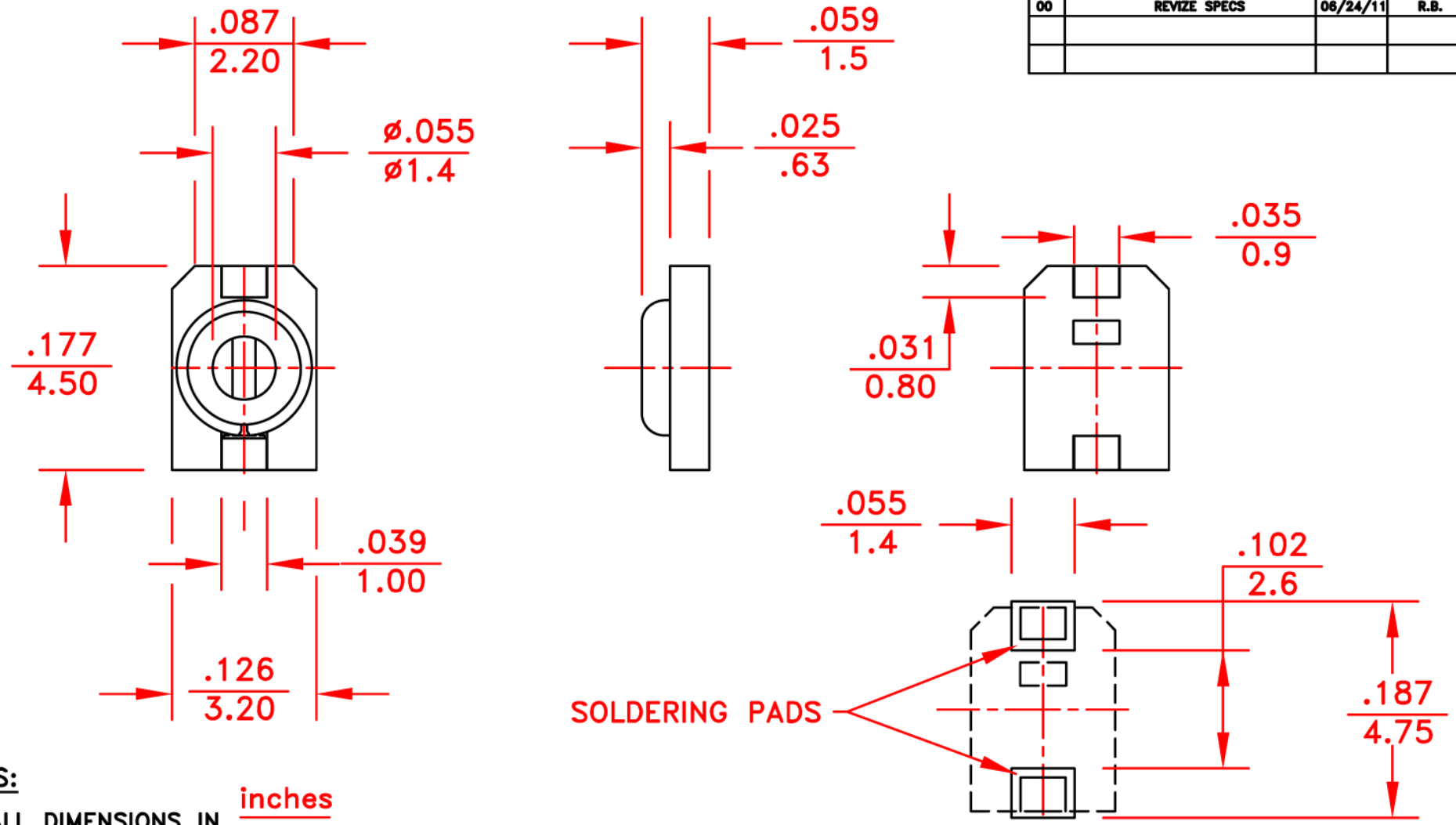
Tel: +86-755-8981 8866 Fax: +86-755-8427 6832

Email & Skype: info@chipsmall.com Web: www.chipsmall.com

Address: A1208, Overseas Decoration Building, #122 Zhenhua RD., Futian, Shenzhen, China



REV.	DESCRIPTION	DATE	APP.
00	REVIZE SPECS	06/24/11	R.B.



NOTES:

1. ALL DIMENSIONS IN $\frac{\text{inches}}{\text{mm}}$

SUGGESTED SURFACE MOUNT LAYOUT

RECOMMENDED THICKNESS OF SOLDER $\frac{.0006}{0.15}$

SPECS	PART NUMBER	SGC3S030	SGC3S060	SGC3S100	SGC3S200	SGC3S300
COLOR CODE		BLACK	BLUE	IVORY	PINK	GREEN
Capacitance (pF min.)		1.8 max	2.0 max	3.0 max	5.5 max	8.0 max
Capacitance (pF max.)		4.5 +50%/-0%	6.0 +50%/-0%	10.0 +50%/-0%	20.0 +50%/-0%	30.0 +50%/-0%
Temperature coefficient (ppm/°C)		NPO±100	NPO±100	N600±400	N900±300	N1200±300
Q (at 1MHz and C max) min.		500	500	500	500	500
Insulation resistance		10 ⁴ megohms				
Torque		0.14 to 1.0 oz-in / 10 to 72 gf-cm				
DC Working voltage		500 VDC	500 VDC	500 VDC	500 VDC	500 VDC
DC Withstanding voltage		1000 VDC	1000 VDC	1000 VDC	1000 VDC	1000 VDC
Operating temperature C°		-40 to +85				
Self resonant frequency @ Cmax		2.0 GHz	1.5 GHz	1.3 GHz	0.8GHz	0.6 GHz

TOLERANCES: (EXCEPT AS NOTED)	SPRAGUE GOODMAN ELECTRONICS INC. 1700 SHAMES DRIVE WESTBURY, NY 11590		
DECIMAL: xxx ±.016 In ±.41 mm	MATERIAL:	SCALE 8:1	DRAWN BY: R. LEVIN
FRACTIONAL: 1/64	APPROVED: R.B. 06/24/11		
ANGULAR: 1/64	TITLE: OUTLINE DWG SGC3 PRODUCT LINE		
	DATE: 9/29/06	DRAWING NUMBER SGC3	Rev. 00