



Chipsmall Limited consists of a professional team with an average of over 10 year of expertise in the distribution of electronic components. Based in Hongkong, we have already established firm and mutual-benefit business relationships with customers from,Europe,America and south Asia,supplying obsolete and hard-to-find components to meet their specific needs.

With the principle of “Quality Parts,Customers Priority,Honest Operation,and Considerate Service”,our business mainly focus on the distribution of electronic components. Line cards we deal with include Microchip,ALPS,ROHM,Xilinx,Pulse,ON,Everlight and Freescale. Main products comprise IC,Modules,Potentiometer,IC Socket,Relay,Connector.Our parts cover such applications as commercial,industrial, and automotives areas.

We are looking forward to setting up business relationship with you and hope to provide you with the best service and solution. Let us make a better world for our industry!



Contact us

Tel: +86-755-8981 8866 Fax: +86-755-8427 6832

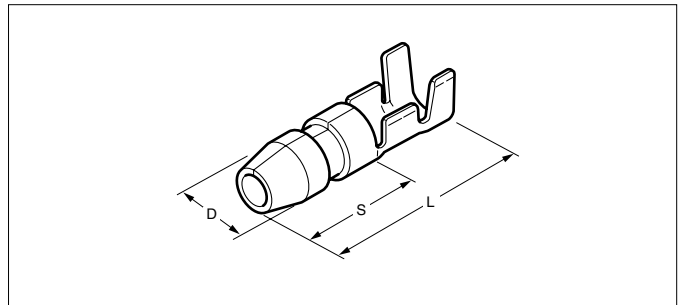
Email & Skype: info@chipsmall.com Web: www.chipsmall.com

Address: A1208, Overseas Decoration Building, #122 Zhenhua RD., Futian, Shenzhen, China



BULLET TERMINAL

Nominal 4.0mm dia. bullet male



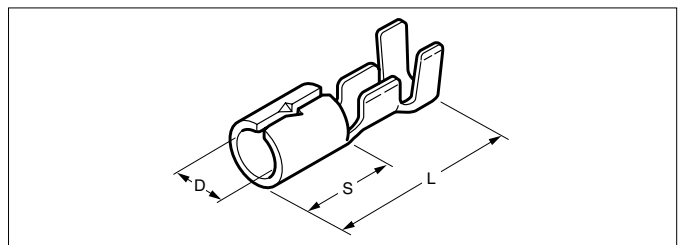
Recognized E60389

Certified LR20812

Model No.	Standard	Applicable wire			Material	Finish	Dimensions(mm)				Q'ty / reel
		mm ²	AWG #	Insulation O.D. (mm)			D (dia.)	L	S	Material thickness	
SGM-51-4		0.5 to 2.0	20 to 14	2.6 to 3.8	Brass	—	3.55	15.9	7.3	0.5	5,000
SGM-51T-4						Tin-plated					

RoHS compliance

Nominal 4.0mm dia. bullet female



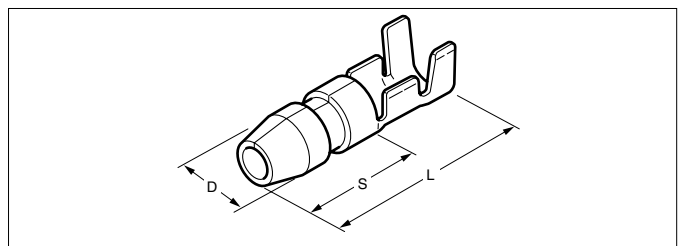
Recognized E60389

Certified LR20812

Model No.	Standard	Applicable wire			Material	Finish	Dimensions(mm)				Q'ty / reel
		mm ²	AWG #	Insulation O.D. (mm)			D (dia.)	L	S	Material thickness	
SGF-41-4		0.5 to 1.25	20 to 16	2.6 to 3.5	Brass	—	3.5	17.5	6.4	0.32	7,500
SGF-41T-4						Tin-plated					

RoHS compliance

Nominal 5.0mm dia. bullet male



Recognized E60389

Certified LR20812

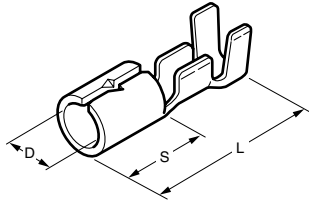
Model No.	Standard	Applicable wire			Material	Finish	Dimensions(mm)				Q'ty / reel
		mm ²	AWG #	Insulation O.D. (mm)			D (dia.)	L	S	Material thickness	
SGM-21-5		0.3 to 0.75	22 to 18	1.7 to 2.9	Brass	—	3.96	17.5	8.9	0.5	5,000
SGM-21T-5						Tin-plated					
SGM-51-5		0.5 to 2.0	20 to 14	2.6 to 3.8		—					
SGM-51T-5						Tin-plated					

RoHS compliance

BULLET TERMINAL

Nominal 5.0mm dia. bullet female

Type A



Recognized E60389

Certified LR20812

Model No.	Standard	Applicable wire			Material	Type	Finish	Dimensions(mm)				Q'ty / reel
		mm ²	AWG #	Insulation O.D. (mm)				D (dia.)	L	S	Material thickness	
SGF-21-5		0.3 to 0.75	22 to 18	1.7 to 2.9	Brass	A	—	3.96	17.5	6.4	0.4	5,000
SGF-21T-5							Tin-plated					
SGF-51-5		0.5 to 2.0	20 to 14	2.6 to 3.8			—					
SGF-51T-5							Tin-plated					

Crimping machine, Applicator

Contact	Crimping machine	Applicator		
		Crimp applicator	Dies	Crimp applicator with dies
SGM-51(T)-4	AP-K2N	MK-L	MK/SGM-51-4	APLMK SGM51-4
		—	—	—
SGF-41(T)-4		MK-L	MK/SGF-41-4	APLMK SGF41-4
		—	—	—
SGM-21(T)-5		MK-L	MK/SGM-21-5	APLMK SGM21-5
		—	—	—

Contact	Crimping machine	Applicator		
		Crimp applicator	Dies	Crimp applicator with dies
SGM-51(T)-5	AP-K2N	MK-L	MK/SGM-51-5	APLMK SGM51-5
		—	—	—
SGF-21(T)-5		MK-L	MK/SGF-21-5	APLMK SGF21-5
		—	—	—
SGF-51(T)-5		MK-L	MK/SGF-51-5	APLMK SGF51-5
		—	—	—

* Compliant with RoHS.

* Refer to "General Instruction and Notice when using Terminals and Connectors" at the end of this catalog.

* Contact JST for details.