



Chipsmall Limited consists of a professional team with an average of over 10 year of expertise in the distribution of electronic components. Based in Hongkong, we have already established firm and mutual-benefit business relationships with customers from,Europe,America and south Asia,supplying obsolete and hard-to-find components to meet their specific needs.

With the principle of "Quality Parts,Customers Priority,Honest Operation,and Considerate Service",our business mainly focus on the distribution of electronic components. Line cards we deal with include Microchip,ALPS,ROHM,Xilinx,Pulse,ON,Everlight and Freescale. Main products comprise IC,Modules,Potentiometer,IC Socket,Relay,Connector.Our parts cover such applications as commercial,industrial, and automotives areas.

We are looking forward to setting up business relationship with you and hope to provide you with the best service and solution. Let us make a better world for our industry!



## Contact us

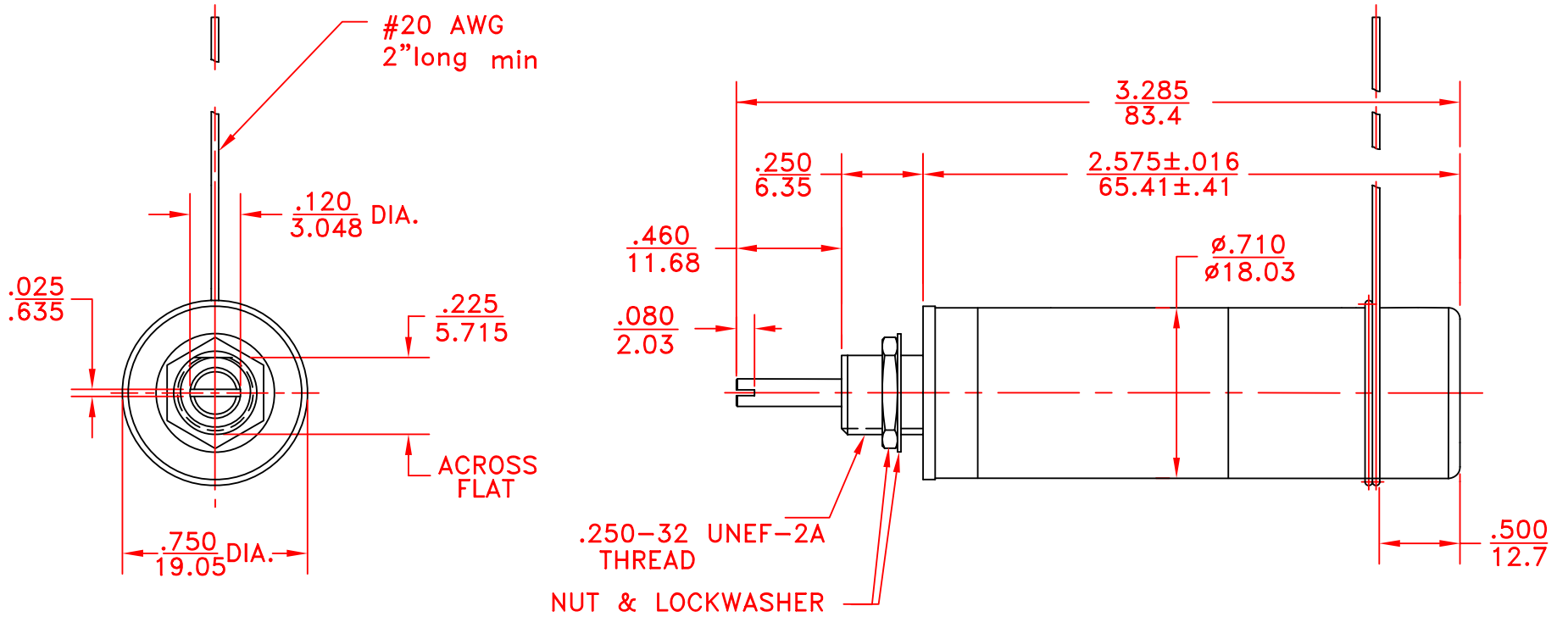
Tel: +86-755-8981 8866 Fax: +86-755-8427 6832

Email & Skype: info@chipsmall.com Web: www.chipsmall.com

Address: A1208, Overseas Decoration Building, #122 Zhenhua RD., Futian, Shenzhen, China



| REV | DESCRIPTION | DATE     | APP  |
|-----|-------------|----------|------|
| 00  | NEW DWG     | 05/09/12 | D.D. |
|     |             |          |      |
|     |             |          |      |



NOTES:

1. CAPACITANCE:  $C_{max} \geq 100$  pF,  $C_{min} \leq 10.0$ pF.
2. WORKING VOLTAGE : 6000 VDC.
3. WITHSTANDING VOLTAGE : 12000 VDC.
4.  $Q \geq 500$  @ 25MHZ
5. TORQUE: 0.5 TO 5.0 oz-in.
6. OPERATING TEMPERATURE :  $\leq -55^{\circ}\text{C}$  UP TO  $125^{\circ}\text{C}$
7. CONSTRUCTION : 40 psi SEALED, NON MAGNETIC.
8. DIMENSIONS IN INCHES/MM.
9. ROTATIONAL LIFE: 10,000 TURNS

|  |  |                                |   |
|--|--|--------------------------------|---|
| TOLERANCES:<br>(EXCEPT AS NOTED)           | SPRAGUE GOODMAN ELECTRONICS INC.<br>1700 SHAMES DRIVE WESTBURY, NY 11590 |                                |   |
| DECIMAL:<br>$\pm .002$ in<br>$\pm .051$ mm | MATERIAL:  | SCALE:<br>NONE                 | DRAWN BY: R. LEVIN<br>APPROVED: S. GRINBERG |
| FRACTIONAL:<br>1/64                        | TITLE:<br>OUTLINE DWG<br>SGNMNC31006E                                    |                                | USED FOR:                                   |
| ANGULAR:<br>1°                             | DATE:<br>05/09/12  | DRAWING NUMBER<br>SGNMNC31006E | REV.<br>01                                  |