



Chipsmall Limited consists of a professional team with an average of over 10 year of expertise in the distribution of electronic components. Based in Hongkong, we have already established firm and mutual-benefit business relationships with customers from,Europe,America and south Asia,supplying obsolete and hard-to-find components to meet their specific needs.

With the principle of “Quality Parts,Customers Priority,Honest Operation,and Considerate Service”,our business mainly focus on the distribution of electronic components. Line cards we deal with include Microchip,ALPS,ROHM,Xilinx,Pulse,ON,Everlight and Freescale. Main products comprise IC,Modules,Potentiometer,IC Socket,Relay,Connector.Our parts cover such applications as commercial,industrial, and automotives areas.

We are looking forward to setting up business relationship with you and hope to provide you with the best service and solution. Let us make a better world for our industry!



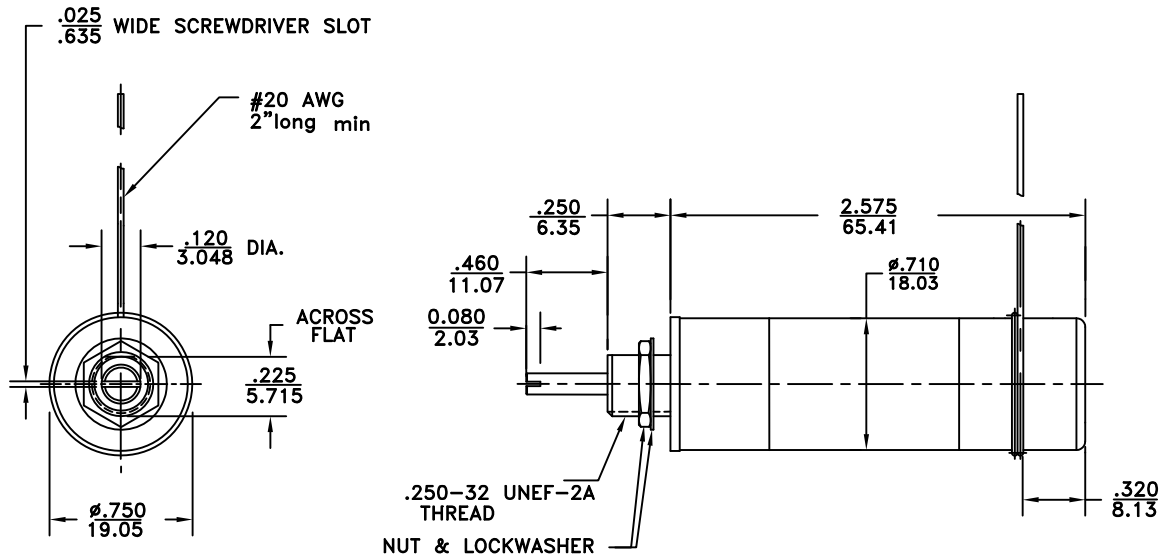
## Contact us

Tel: +86-755-8981 8866 Fax: +86-755-8427 6832

Email & Skype: info@chipsmall.com Web: www.chipsmall.com

Address: A1208, Overseas Decoration Building, #122 Zhenhua RD., Futian, Shenzhen, China





**NOTES:**

1. CAPACITANCE :  $C_{max} \geq 70$  pF,  $C_{min} \leq 6.5$  pF.
2. WORKING VOLTAGE: 7,500 VDC.
3. WITHSTANDING VOLTAGE 15,000 VDC.
4.  $Q \geq 600 @ 25$  MHz
5. TORQUE: 0.5 TO 5.0 oz-in.
6. OPERATION TEMPERATURE: BELOW  $-55^{\circ}\text{C}$  UP TO  $125^{\circ}\text{C}$
7. DIMENSIONS IN INCHES/MM.
8. ROTATIONAL LIFE: 10,000 TURNS
9. CONSTRUCTION: SEALED, NON MAGNETIC

TOLERANCES: (EXCEPT AS NOTED)		SPRAGUE GOODMAN ELECTRONICS INC. 1700 SHAMES DRIVE WESTBURY, NY 11590		
DECIMAL: $\pm .002$ in $\pm .051$ mm	MATERIAL:	SCALE: NONE	DRAWN BY: R. LEVIN APPROVED: D. DITLYA	
FRACTIONAL: 1/64	TITLE: SGNMNC3708E		USED FOR:	
ANGULAR: 1°	DATE:	DRAWING NUMBER SGNMNC3708E		REV. 01