



Chipsmall Limited consists of a professional team with an average of over 10 year of expertise in the distribution of electronic components. Based in Hongkong, we have already established firm and mutual-benefit business relationships with customers from,Europe,America and south Asia,supplying obsolete and hard-to-find components to meet their specific needs.

With the principle of "Quality Parts,Customers Priority,Honest Operation,and Considerate Service",our business mainly focus on the distribution of electronic components. Line cards we deal with include Microchip,ALPS,ROHM,Xilinx,Pulse,ON,Everlight and Freescale. Main products comprise IC,Modules,Potentiometer,IC Socket,Relay,Connector.Our parts cover such applications as commercial,industrial, and automotives areas.

We are looking forward to setting up business relationship with you and hope to provide you with the best service and solution. Let us make a better world for our industry!



## Contact us

Tel: +86-755-8981 8866 Fax: +86-755-8427 6832

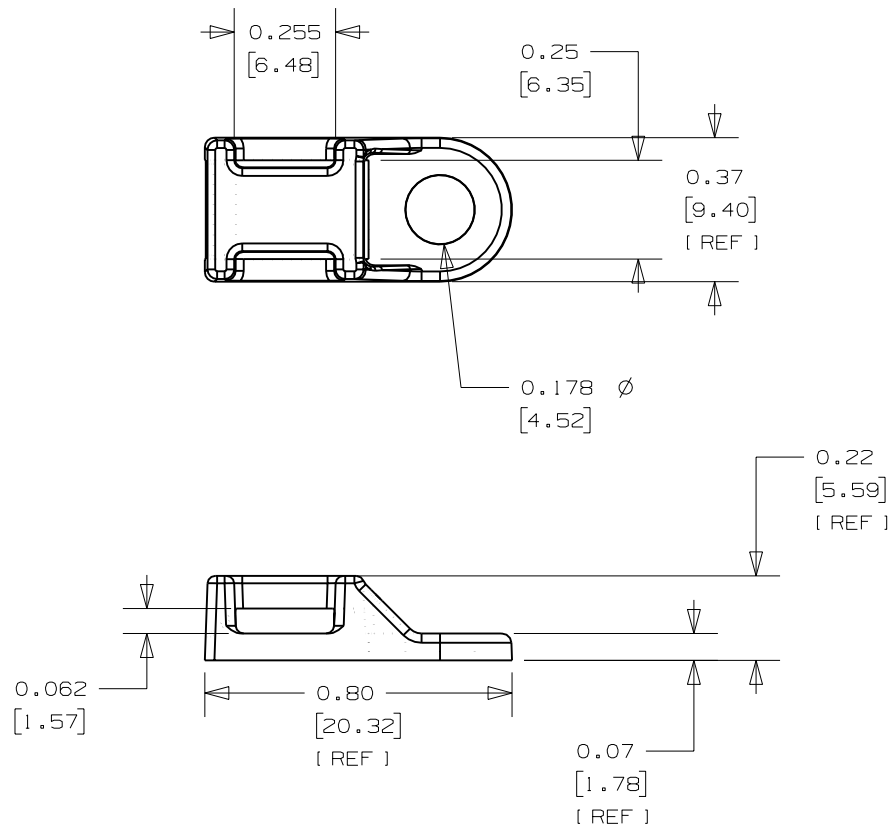
Email & Skype: info@chipsmall.com Web: www.chipsmall.com

Address: A1208, Overseas Decoration Building, #122 Zhenhua RD., Futian, Shenzhen, China



THIS COPY IS PROVIDED ON A RESTRICTED BASIS AND IS NOT TO BE USED IN ANY WAY DETRIMENTAL TO THE INTERESTS OF PANDUIT CORP.

PANDUIT PART NO.	REQUIRED FASTNER	WEIGHT lbs/100 pcs (g)/100 pcs	PRODUCT COMPATIBLE WITH CABLE TIE CROSS-SECTION(S):
SGTA1S8-_ TASG1S8-_	#8 (M4) SCREW	0.86 (38.77)	M, I, S SG100M, SG150I, SG200S, SG250S, SG300S, SG370S



NOTES:

- SEE CURRENT PRICE SHEET FOR PART NUMBER SUFFIX DESIGNATION FOR PACKAGE SIZE

DIMENSIONS IN BRACKETS ARE METRIC [ mm ]

CAD FILENAME/LAYERS

G02987CE\_PB\_TASG1S8\_02

**PANDUIT**

CORP.

TINLEY PARK, ILLINOIS

TIE ANCHOR (SUPER GRIP TIES)  
SGTA1S8-\_ & TASG1S8-\_

UNLESS OTHERWISE SPECIFIED,  
DIMENSIONAL TOLERANCES ARE:

(.X)  $\pm 0.05$  (1.3) (.XXX)  $\pm 0.010$  (0.25)  
(.XX)  $\pm 0.02$  (0.5) ANGLES  $\pm 5^\circ$

UNLESS OTHERWISE SPECIFIED,

ALL DIMENSIONS ARE GIVEN

IN INCHES, THIRD ANGLE PROJECTION.

DRAWN BY

TMSA

MAT'L:

NYLON 6/6

SCALE

2/1

DATE

4-7-05

DRAWING NO.

GB2987CE

DWG

A

SIZE

2	3/9/06	JAD		COMPLETELY REVISED	GB2987CE	2							
REV	DATE	BY	CHK	DESCRIPTION	ECN	R	CUST	SUP					