



Chipsmall Limited consists of a professional team with an average of over 10 year of expertise in the distribution of electronic components. Based in Hongkong, we have already established firm and mutual-benefit business relationships with customers from,Europe,America and south Asia,supplying obsolete and hard-to-find components to meet their specific needs.

With the principle of “Quality Parts,Customers Priority,Honest Operation,and Considerate Service”,our business mainly focus on the distribution of electronic components. Line cards we deal with include Microchip,ALPS,ROHM,Xilinx,Pulse,ON,Everlight and Freescale. Main products comprise IC,Modules,Potentiometer,IC Socket,Relay,Connector.Our parts cover such applications as commercial,industrial, and automotives areas.

We are looking forward to setting up business relationship with you and hope to provide you with the best service and solution. Let us make a better world for our industry!



Contact us

Tel: +86-755-8981 8866 Fax: +86-755-8427 6832

Email & Skype: info@chipsmall.com Web: www.chipsmall.com

Address: A1208, Overseas Decoration Building, #122 Zhenhua RD., Futian, Shenzhen, China

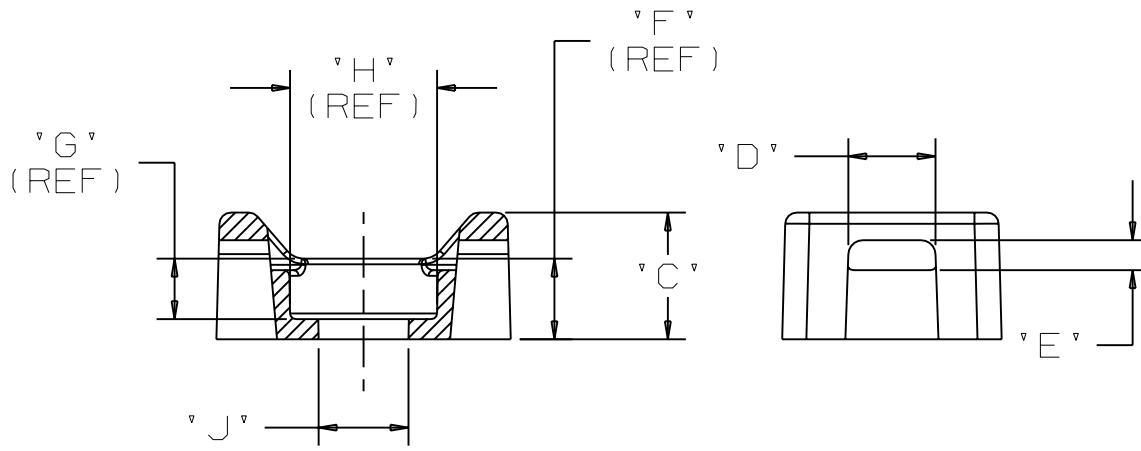
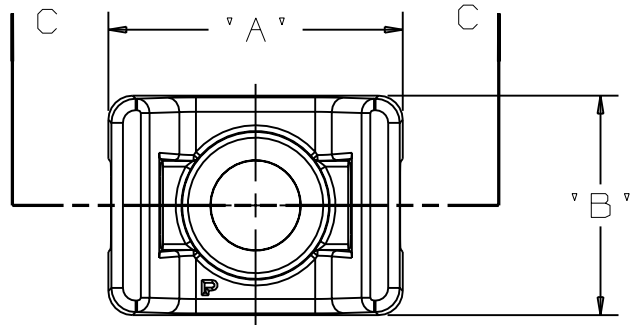


THIS COPY IS PROVIDED ON A RESTRICTED BASIS AND IS NOT TO BE USED IN ANY WAY DETRIMENTAL TO THE INTERESTS OF PANDUIT CORP.

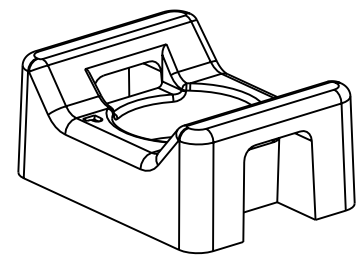
PANDUIT PART NO	REC'M FASTENER	DIMENSIONS									WEIGHT	
		'A'	'B'	'C'	'D'	'E'	'F'	'G'	'H'	'J'	lbs 100	(g) pcs
TMSG1S6-____ SGTM1S6-____	#6 (M3) SCREW	0.51 (12.95)	0.38 (9.65)	0.22 (5.6)	0.151 (3.84)	0.051 (1.30)	0.14 (3.56)	0.10 (2.54)	0.257 (6.53)	0.153 (3.90)	0.78 (353.8)	

USE WITH THESE
CABLE TIE
CROSS SECTIONS

M,
SG100M



SECTION C - C



DIMENSIONS IN BRACKETS ARE METRIC [mm]	
CAD FILENAME/LAYERS G03150FJ_PB_SGTM1S6_00	
PANDUIT CORP. TINLEY PARK, ILLINOIS	
TIE MOUNT FOR SUPER GRIP TIES (SGTM1S6- _ TMSG1S6- _)	
UNLESS OTHERWISE SPECIFIED, DIMENSIONAL TOLERANCES ARE: (.X) ±0.05 (1.3) (.XXX) ±0.010 (0.25) (.XX) ±0.02 (0.5) ANGLES ±5°	UNLESS OTHERWISE SPECIFIED, ALL DIMENSIONS ARE GIVEN IN INCHES, THIRD ANGLE PROJECTION.
DRAWN BY JAD	MAT'L: NYLON 6/6
DATE 8/17/06	SCALE 4X
CHK'D	DRAWING NO. GB3150FJ
	DWG SIZE A

REV	DATE	BY	CHK	DESCRIPTION	ECN	R	CUST	SUP
R	8/17/06	JAD		INITIAL RELEASE	GB3150FJ	R		