



Chipsmall Limited consists of a professional team with an average of over 10 year of expertise in the distribution of electronic components. Based in Hongkong, we have already established firm and mutual-benefit business relationships with customers from,Europe,America and south Asia,supplying obsolete and hard-to-find components to meet their specific needs.

With the principle of “Quality Parts,Customers Priority,Honest Operation,and Considerate Service”,our business mainly focus on the distribution of electronic components. Line cards we deal with include Microchip,ALPS,ROHM,Xilinx,Pulse,ON,Everlight and Freescale. Main products comprise IC,Modules,Potentiometer,IC Socket,Relay,Connector.Our parts cover such applications as commercial,industrial, and automotives areas.

We are looking forward to setting up business relationship with you and hope to provide you with the best service and solution. Let us make a better world for our industry!



Contact us

Tel: +86-755-8981 8866 Fax: +86-755-8427 6832

Email & Skype: info@chipsmall.com Web: www.chipsmall.com

Address: A1208, Overseas Decoration Building, #122 Zhenhua RD., Futian, Shenzhen, China





SH-5 series

ANSI 150RF Flange mount SPDT switch



- 1 1/2", 2" & 3" x ANSI 150RF Flange mount
- SS 316L float material
- SS 304 other wetted parts material
- Available in direct switching version for use at up to 100°C or low power switching at up to 200°C
- Aluminium enclosure with screw on lid and cable gland

Technical Specification

Mounting style	External via flange	Flange size	1 1/2", 2" & 3"
Float material	316L grade SS	Flange rating	150lb
Maximum Temperature	100°C / 200°C	Other wetted parts	SS 304
Maximum pressure	10 bar	Cable entry	1/2" BSP
Float SG	0.55 or 0.65	Enclosure rating	IP65
Minimum fluid SG	0.60 or 0.70	Sealing gasket	Not supplied

The SH-5 series are ANSI 150RF flange mount float operated level switches. This design uses a pivoted float arm with a magnet on the inboard end. This magnet when moved by the rising float arm interacts with another magnet in the switch enclosure to give a snap action operation.

Two switching options are available using either microswitches or reed switches, for different switching power and operating temperature ranges.

There are also two float sizes available of either 150x50mm or 150x41mm.

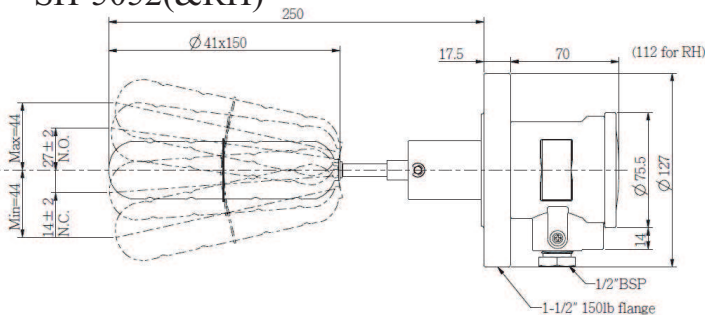
Electrical Specification	SH-5052/SH-5051	SH-5052RH/SH-5151RH
Contact Form	SPDT	SPDT
Switching Voltage AC Max V	250	400
Switching Voltage DC Max V	120	400
Switching Current Max A	5	1

All ratings are for resistive load only. RH version should be limited to maximum power 60VA

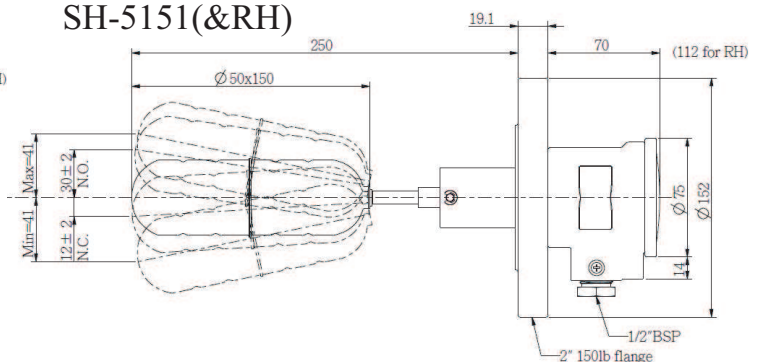
Standard Parts	Material	Max Current	Temperature Range	Min SG	Mount
SH-5052	SS 316L/304	5	0 - 100°C	0.60	1 1/2"
SH-5052RH	SS 316L/304	1	0 - 200°C	0.60	1 1/2"
SH-5151	SS 316L/304	5	0 - 100°C	0.70	2"
SH-5151RH	SS 316L/304	1	0 - 200°C	0.70	2"
SH-5653	SS 316L/304	5	0 - 100°C	0.40	3"
SH-5653RH	SS 316L/304	1	0 - 200°C	0.40	3"

Other flange types and pressure ratings may be possible. Please contact Cynergy3 with your requirements.

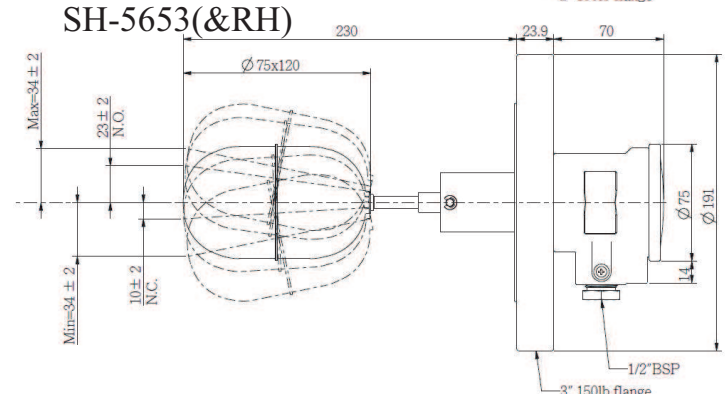
SH-5052(&RH)



SH-5151(&RH)



SH-5653(&RH)



Mechanical Dimensions in mm

Cynergy3 Components Ltd.
7 Cobham Road
Ferndown Industrial Estate
Wimborne, Dorset BH21 7PE
Telephone +44 (0) 1202 897969
Email: sales@cynergy3.com

ISO9001 CERTIFIED

SH-5 Series 2016

www.cynergy3.com