



Chipsmall Limited consists of a professional team with an average of over 10 year of expertise in the distribution of electronic components. Based in Hongkong, we have already established firm and mutual-benefit business relationships with customers from,Europe,America and south Asia,supplying obsolete and hard-to-find components to meet their specific needs.

With the principle of “Quality Parts,Customers Priority,Honest Operation,and Considerate Service”,our business mainly focus on the distribution of electronic components. Line cards we deal with include Microchip,ALPS,ROHM,Xilinx,Pulse,ON,Everlight and Freescale. Main products comprise IC,Modules,Potentiometer,IC Socket,Relay,Connector.Our parts cover such applications as commercial,industrial, and automotives areas.

We are looking forward to setting up business relationship with you and hope to provide you with the best service and solution. Let us make a better world for our industry!



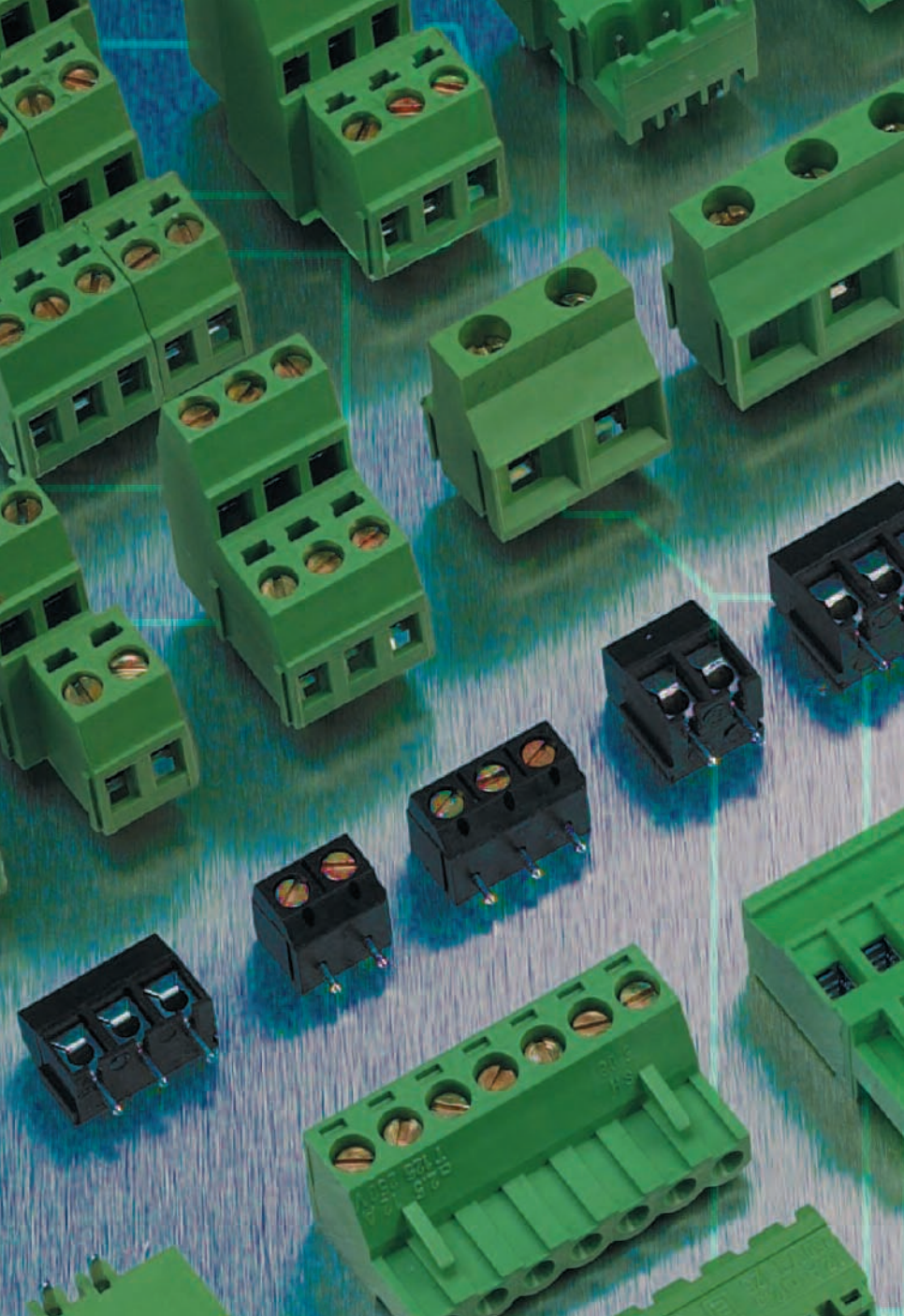
## Contact us

Tel: +86-755-8981 8866 Fax: +86-755-8427 6832

Email & Skype: info@chipsmall.com Web: www.chipsmall.com

Address: A1208, Overseas Decoration Building, #122 Zhenhua RD., Futian, Shenzhen, China





Altech is pleased to announce a new, more extensive printed circuit board terminal block line. This line offers the standard single and double level fixed and pluggable terminal blocks in metric and US pin spacings. However, this product line goes beyond our past standard offering. There is now a wider array of products within each pin spacing as well as new types of blocks such as 35°, reverse horizontal wire entry, and triple level fixed blocks, card edge connectors, panel feed through blocks, barrier strips, and plugs/headers with screw flanges. This product assortment combined with the new pricing structure makes this line extremely competitive.

Altech printed circuit board terminal blocks give you highly dependable connections without the need for wire lugs. Choose either tubular screw clamps or box clamps when economy is paramount or screw-cage clamps for heavy-duty applications. In each case, simply strip and insert the wire and tighten the screw. We recommend the use of ferrules, especially for export applications and whenever fine stranded wires must be terminated.

Our board mounted terminal blocks meet or exceed most international standards and are accepted worldwide. They're available in single, double and triple level configurations with both, millimeter and inch pin spacings. All leave mini footprints to save valuable real estate.

# PRINTED CIRCUIT BOARD TERMINAL BLOCKS

## FIXED

Our printed circuit board terminal blocks designed for fixed mounting offer high density, and maximum flexibility. Modular construction simplifies ordering and reduces inventory. Two- and 3-pole modules can be interlocked to create multipole assemblies. Altech can also supply ready-made assemblies tailored to your specification. Fixed-mount blocks are available with the economical tubular screw, box clamp or the screw-cage clamp and offer several wire entry options to facilitate wiring and increase accessibility.



## PLUGGABLE

The two-piece, plug and header design of our “pluggable” terminal blocks speed and simplify board replacement and reduce costly downtime and misconnections. No special tools are required. Headers are soldered into the board and accept the plugs, which are easily removed for fast, convenient board or device replacement. Choose single- mold designs for maximum strength. Or choose modular designs which are assembled from 2 and 3 pole modules when you need maximum flexibility to meet changing requirements. Both are available in a variety of configurations. Headers are available in vertical, and horizontal, single or double-level, with closed or open ends.



We offer pluggables with either screw-cage clamp termination for heavy duty requirements or with tubular screw termination and open headers for cost sensitive applications. We also offer a card edge connector for a quick, reliable and inexpensive connection.

## PIN SPACING

Each clamp style is offered in metric and inch pin spacing. For your convenience, this catalog is organized by pin spacing. Fixed blocks are first, starting with the smallest pin spacing, then pluggable shown in each available spacing.

## CONNECTION

Altech’s printed circuit board terminal blocks give you a choice between tubular screw, box clamp and screw-cage clamp designs:

- When your application calls for the highest reliability and frequent wire terminations, the screw-cage clamp should be your choice. As the clamp is tightened, the nickel-plated cage rises, pressing the wire firmly against the bus-bar, ensuring solid connections every time. Standard color is green.
- In the tubular screw and box clamp design, tightening the screw presses the conductor directly against the bottom of the clamp. These systems are ideal for cost sensitive, lighter duty applications or applications with infrequent wire terminations. Wire protectors are standard. Standard color is black for tubular screw and green for box clamp.

## MATERIALS

All of our printed circuit board terminal blocks feature precision formed or machined metal parts which are electrolytically plated. Nickel or tin-plated brass cage clamps or tubes, wire protectors, and tin-plated solder pins satisfy the most demanding requirements. Housings are precision-molded from self-extinguishing polyamid 6.8 or glass-filled polyester providing excellent strength and temperature resistance.

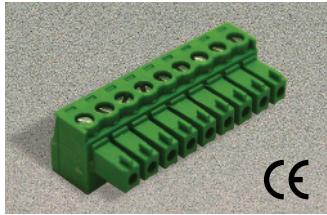
## MARKING

Altech offers marking to identify terminal inputs. Order Hot Stamp Imprinting for permanent marking of large quantities or custom marked terminals. Standard marking is consecutive numbers, left to right. This standard marking can be ordered by adding a suffix (i.e. MV-4612/iA would be a MV-4612 terminal block imprinted 1 through 12, left to right).

Custom imprints are also available, see page 177 for ordering information.

# 3.50mm Pin Spacing – Pluggable PCB Blocks

Pin Spacing: 3.50mm  
 Orientation: Horizontal Plug  
 Clamp Type: Screw Cage  
 Design: Single Mold



**SHxx-3.50**

**ELECTRICAL**

	Current	Voltage	Wire Range
	8A	300V	30-16AWG
	8A	130V	1.5mm <sup>2</sup> Stranded 1.5mm <sup>2</sup> Solid

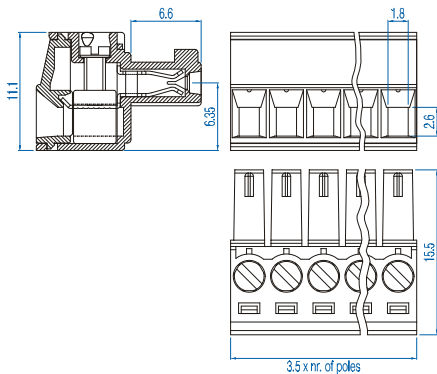
**INSTALLATION DATA**

Screw Size	M2	PCB Hole Size	–
Torque	0.25Nm (2.3 lbf-in.)	Stripping Lgth.	8mm

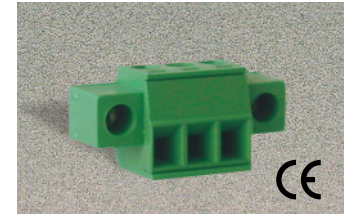
**MATERIAL**

<b>Body</b>	Polyamide	<b>Screw</b>	Galvanized Steel
<b>Flammability Class</b>	UL94V-0	<b>Terminal</b>	Tin-Plated Brass
<b>Temperature Limit</b>	105°C UL 125°C IEC	<b>Clamp</b>	Nickeled Brass
<b>Color</b>	Green		

No. Poles	Cat. #	Length (mm)	Std. Pk.
2	SH02-3.50	7.0	100
3	SH03-3.50	10.5	100
4	SH04-3.50	14.0	50
5	SH05-3.50	17.5	50
6	SH06-3.50	21.0	50
7	SH07-3.50	24.5	50
8	SH08-3.50	28.0	50
9	SH09-3.50	31.5	50
10	SH10-3.50	35.0	50
11	SH11-3.50	38.5	50
12	SH12-3.50	42.0	50
13	SH13-3.50	45.5	20
14	SH14-3.50	49.0	20
15	SH15-3.50	52.5	20
16	SH16-3.50	56.0	20
17	SH17-3.50	59.5	20
18	SH18-3.50	63.0	20
19	SH19-3.50	66.5	20
20	SH20-3.50	70.0	20
21	SH21-3.50	73.5	20
22	SH22-3.50	77.0	20
23	SH23-3.50	80.5	20
24	SH24-3.50	84.0	20



Pin Spacing: 3.50mm  
 Orientation: Horizontal Plug  
 with Screw Flange  
 Clamp Type: –  
 Design: Single Mold



**SHxx-3.50-K**

**ELECTRICAL**

	Current	Voltage	Wire Range
	8A	300V	30-16AWG
	8A	130V	1.5mm <sup>2</sup> Stranded 1.5mm <sup>2</sup> Solid

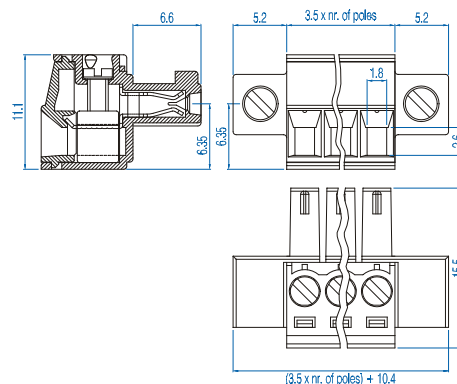
**INSTALLATION DATA**

Screw Size	M2	PCB Hole Size	–
Torque	0.25Nm (2.3 lbf-in.)	Stripping Lgth.	8mm

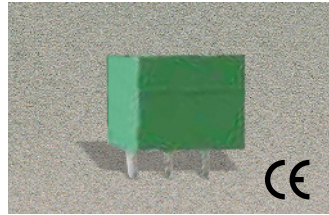
**MATERIAL**

<b>Body</b>	Polyamide	<b>Screw</b>	Galvanized Steel
<b>Flammability Class</b>	UL94V-0	<b>Terminal</b>	Tin-Plated Brass
<b>Temperature Limit</b>	105°C UL 125°C IEC	<b>Clamp</b>	Nickeled Brass
<b>Color</b>	Green		

No. Poles	Cat. #	Length (mm)	Std. Pk.
2	SH02-3.50-K	17.4	100
3	SH03-3.50-K	20.9	100
4	SH04-3.50-K	24.4	50
5	SH05-3.50-K	27.9	50
6	SH06-3.50-K	31.4	50
7	SH07-3.50-K	34.9	50
8	SH08-3.50-K	38.4	50
9	SH09-3.50-K	41.9	50
10	SH10-3.50-K	45.4	50
11	SH11-3.50-K	48.9	50
12	SH12-3.50-K	52.4	50
13	SH13-3.50-K	55.9	20
14	SH14-3.50-K	59.4	20
15	SH15-3.50-K	62.9	20
16	SH16-3.50-K	66.4	20
17	SH17-3.50-K	69.9	20
18	SH18-3.50-K	73.4	20
19	SH19-3.50-K	76.9	20
20	SH20-3.50-K	80.4	20
21	SH21-3.50-K	83.9	20
22	SH22-3.50-K	87.4	20



Pin Spacing: 3.50mm  
 Orientation: Vertical  
 Clamp Type: Rising Clamp  
 Design: Single Mold



**PVPxx-3.50**

**ELECTRICAL**

	Current	Voltage	Wire Range
	8A	300V	–
	8A	130V	–

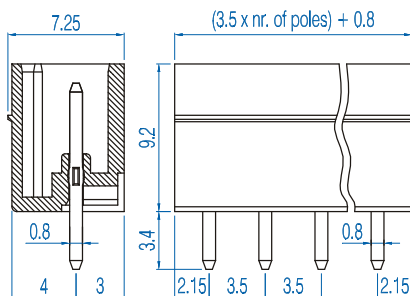
**INSTALLATION DATA**

Screw Size	–	PCB Hole Size	1.3mm
Torque	–	Stripping Lgth.	–

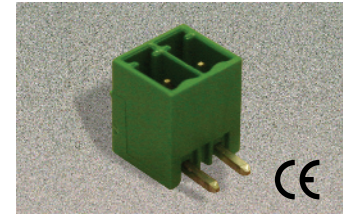
**MATERIAL**

Body	Polyamide	Screw	–
Flammability Class	UL94V-0	Terminal	Tin-Plated Brass
Temperature Limit	105°C UL 125°C IEC	Clamp	–
Color	Green		

No. Poles	Cat. #	Length (mm)	Std. Pk.
2	PVP02-3.50	7.8	100
3	PVP03-3.50	11.3	100
4	PVP04-3.50	14.8	50
5	PVP05-3.50	18.3	50
6	PVP06-3.50	21.8	50
7	PVP07-3.50	25.3	50
8	PVP08-3.50	28.8	50
9	PVP09-3.50	32.3	50
10	PVP10-3.50	35.8	50
11	PVP11-3.50	39.3	50
12	PVP12-3.50	42.8	50
13	PVP13-3.50	46.3	20
14	PVP14-3.50	49.8	20
15	PVP15-3.50	53.3	20
16	PVP16-3.50	56.8	20
17	PVP17-3.50	60.3	20
18	PVP18-3.50	63.8	20
19	PVP19-3.50	67.3	20
20	PVP20-3.50	70.8	20
21	PVP21-3.50	74.3	20
22	PVP22-3.50	77.8	20
23	PVP23-3.50	81.3	20
24	PVP24-3.50	84.8	20



Pin Spacing: 3.50mm  
 Orientation: Horizontal Header  
 Clamp Type: –  
 Design: Single Mold - Closed End



**PHPxx-3.50**

**ELECTRICAL**

	Current	Voltage	Wire Range
	8A	300V	–
	8A	130V	–

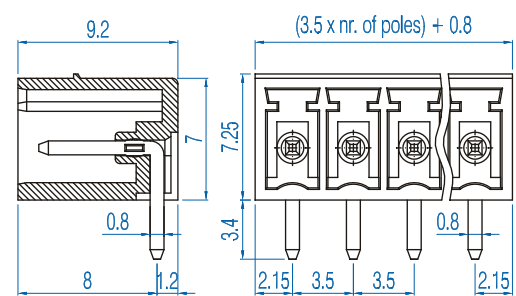
**INSTALLATION DATA**

Screw Size	–	PCB Hole Size	1.3mm
Torque	–	Stripping Lgth.	–

**MATERIAL**

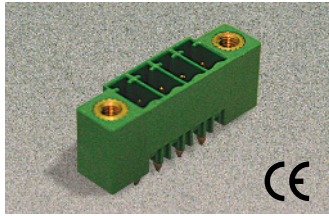
Body	Polyamide	Screw	–
Flammability Class	UL94V-0	Terminal	Tin-Plated Brass
Temperature Limit	105°C UL 125°C IEC	Clamp	–
Color	Green		

No. Poles	Cat. #	Length (mm)	Std. Pk.
2	PHP02-3.50	7.8	100
3	PHP03-3.50	11.3	100
4	PHP04-3.50	14.8	50
5	PHP05-3.50	18.3	50
6	PHP06-3.50	21.8	50
7	PHP07-3.50	25.3	50
8	PHP08-3.50	28.8	50
9	PHP09-3.50	32.3	50
10	PHP10-3.50	35.8	50
11	PHP11-3.50	39.3	50
12	PHP12-3.50	42.8	50
13	PHP13-3.50	46.3	20
14	PHP14-3.50	49.8	20
15	PHP15-3.50	53.3	20
16	PHP16-3.50	56.8	20
17	PHP17-3.50	60.3	20
18	PHP18-3.50	63.8	20
19	PHP19-3.50	67.3	20
20	PHP20-3.50	70.8	20
21	PHP21-3.50	74.3	20
22	PHP22-3.50	77.8	20
23	PHP23-3.50	81.3	20
24	PHP24-3.50	84.8	20



# 3.50mm Pin Spacing – Pluggable PCB Blocks

Pin Spacing: 3.50mm  
 Orientation: Vertical Header with Screw Flange  
 Clamp Type: –  
 Design: Single Mold



**PVxx-3.50-K**

**ELECTRICAL**

	Current	Voltage	Wire Range
	8A	300V	–
	8A	130V	–

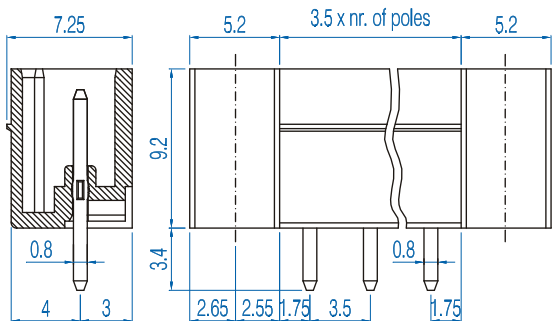
**INSTALLATION DATA**

Screw Size	–	PCB Hole Size	1.3mm
Torque	–	Stripping Lgth.	–

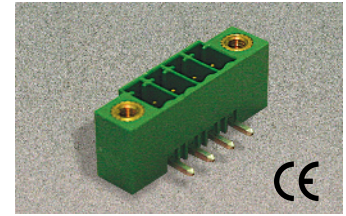
**MATERIAL**

Body	Polyamide	Screw	–
Flammability Class	UL94V-0	Terminal	Tin-Plated Brass
Temperature Limit	105°C UL 125°C IEC	Clamp	–
Color	Green		

No. Poles	Cat. #	Length (mm)	Std. Pk.
2	PV02-3.50-K	17.4	100
3	PV03-3.50-K	20.9	100
4	PV04-3.50-K	24.4	50
5	PV05-3.50-K	27.9	50
6	PV06-3.50-K	31.4	50
7	PV07-3.50-K	34.9	50
8	PV08-3.50-K	38.4	50
9	PV09-3.50-K	41.9	50
10	PV10-3.50-K	45.4	50
11	PV11-3.50-K	48.9	50
12	PV12-3.50-K	52.4	50
13	PV13-3.50-K	55.9	20
14	PV14-3.50-K	59.4	20
15	PV15-3.50-K	62.9	20
16	PV16-3.50-K	66.4	20
17	PV17-3.50-K	69.9	20
18	PV18-3.50-K	73.4	20
19	PV19-3.50-K	76.9	20
20	PV20-3.50-K	80.4	20
21	PV21-3.50-K	83.9	20
22	PV22-3.50-K	87.4	20



Pin Spacing: 3.50mm  
 Orientation: Horizontal Header with Screw Flange  
 Clamp Type: –  
 Design: Single Mold



**PHxx-3.50-K**

**ELECTRICAL**

	Current	Voltage	Wire Range
	8A	300V	–
	8A	130V	–

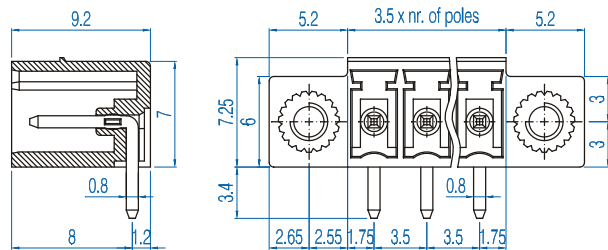
**INSTALLATION DATA**

Screw Size	–	PCB Hole Size	1.3mm
Torque	–	Stripping Lgth.	–

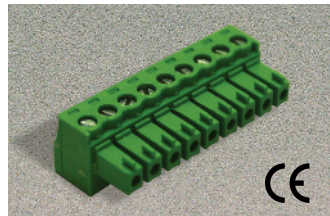
**MATERIAL**

Body	Polyamide	Screw	–
Flammability Class	UL94V-0	Terminal	Tin-Plated Brass
Temperature Limit	105°C UL 125°C IEC	Clamp	–
Color	Green		

No. Poles	Cat. #	Length (mm)	Std. Pk.
2	PH02-3.50-K	17.4	100
3	PH03-3.50-K	20.9	100
4	PH04-3.50-K	24.4	50
5	PH05-3.50-K	27.9	50
6	PH06-3.50-K	31.4	50
7	PH07-3.50-K	34.9	50
8	PH08-3.50-K	38.4	50
9	PH09-3.50-K	41.9	50
10	PH10-3.50-K	45.4	50
11	PH11-3.50-K	48.9	50
12	PH12-3.50-K	52.4	50
13	PH13-3.50-K	55.9	20
14	PH14-3.50-K	59.4	20
15	PH15-3.50-K	62.9	20
16	PH16-3.50-K	66.4	20
17	PH17-3.50-K	69.9	20
18	PH18-3.50-K	73.4	20
19	PH19-3.50-K	76.9	20
20	PH20-3.50-K	80.4	20
21	PH21-3.50-K	83.9	20
22	PH22-3.50-K	87.4	20





Pin Spacing: 3.81mm  
 Orientation: Horizontal Plug  
 Clamp Type: Screw Cage  
 Design: Single Mold



**SHxx-3.81**

**ELECTRICAL**

	Current	Voltage	Wire Range
	8A	300V	30-16AWG
	8A	130V	1.5mm <sup>2</sup> Stranded 1.5mm <sup>2</sup> Solid

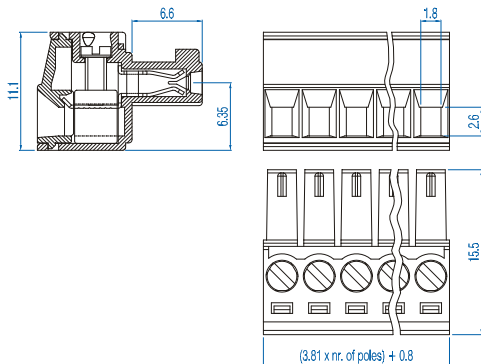
**INSTALLATION DATA**

<b>Screw Size</b>	M2	<b>PCB Hole Size</b>	–
<b>Torque</b>	0.2Nm (1.8lbf-in)	<b>Stripping Lgth.</b>	8mm

**MATERIAL**

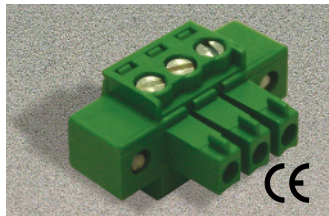
<b>Body</b>	Polyamide	<b>Screw</b>	Galvanized Steel
<b>Flammability Class</b>	UL94V-0	<b>Terminal</b>	Tin-Plated Brass
<b>Temperature Limit</b>	105°C UL 125°C IEC	<b>Clamp</b>	Nickeled Brass
<b>Color</b>	Green		

No. Poles	Cat. #	Length (mm)	Std. Pk.
2	SH02-3.81	8.4	100
3	SH03-3.81	12.2	100
4	SH04-3.81	16.0	50
5	SH05-3.81	19.9	50
6	SH06-3.81	23.7	50
7	SH07-3.81	27.5	50
8	SH08-3.81	31.3	50
9	SH09-3.81	35.1	50
10	SH10-3.81	38.9	50
11	SH11-3.81	42.7	50
12	SH12-3.81	46.5	50
13	SH13-3.81	50.3	20
14	SH14-3.81	54.1	20
15	SH15-3.81	58.0	20
16	SH16-3.81	61.8	20
17	SH17-3.81	65.6	20
18	SH18-3.81	69.4	20
19	SH19-3.81	73.2	20
20	SH20-3.81	77.0	20
21	SH21-3.81	80.8	20
22	SH22-3.81	84.6	20
23	SH23-3.81	88.4	20
24	SH24-3.81	92.2	20



# 3.81mm Pin Spacing – Pluggable PCB Blocks

Pin Spacing: 3.81mm  
 Orientation: Horizontal Plug  
 with Screw Flange  
 Clamp Type: Screw Cage  
 Design: Single Mold



**SHxx-3.81-K**

**ELECTRICAL**

	Current	Voltage	Wire Range
	8A	300V	30-16AWG
	8A	130V	1.5mm <sup>2</sup> Stranded 1.5mm <sup>2</sup> Solid

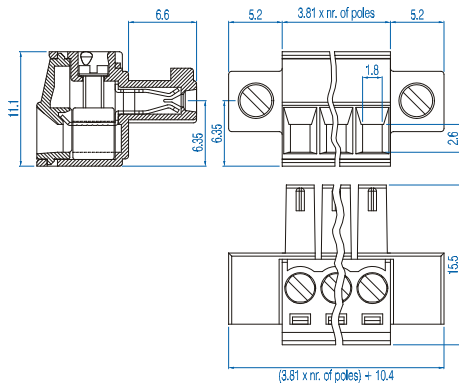
**INSTALLATION DATA**

<b>Screw Size</b>	M2	<b>PCB Hole Size</b>	–
<b>Torque</b>	0.2Nm (1.8lbf-in)	<b>Stripping Lgth.</b>	8mm

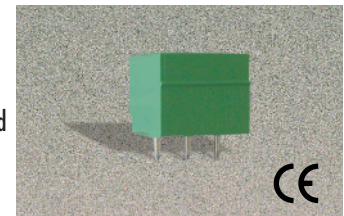
**MATERIAL**

<b>Body</b>	Polyamide	<b>Screw</b>	Galvanized Steel
<b>Flammability Class</b>	UL94V-0	<b>Terminal</b>	Tin-Plated Brass
<b>Temperature Limit</b>	105°C UL 125°C IEC	<b>Clamp</b>	Nickeled Brass
<b>Color</b>	Green		

No. Poles	Cat. #	Length (mm)	Std. Pk.
2	SH02-3.81-K	18.0	100
3	SH03-3.81-K	21.8	100
4	SH04-3.81-K	25.6	50
5	SH05-3.81-K	29.5	50
6	SH06-3.81-K	33.3	50
7	SH07-3.81-K	37.1	50
8	SH08-3.81-K	40.9	50
9	SH09-3.81-K	44.7	50
10	SH10-3.81-K	48.5	50
11	SH11-3.81-K	52.3	50
12	SH12-3.81-K	56.1	50
13	SH13-3.81-K	59.9	20
14	SH14-3.81-K	63.7	20
15	SH15-3.81-K	67.6	20
16	SH16-3.81-K	71.4	20
17	SH17-3.81-K	75.2	20
18	SH18-3.81-K	79.0	20
19	SH19-3.81-K	82.8	20
20	SH20-3.81-K	86.6	20
21	SH21-3.81-K	90.4	20
22	SH22-3.81-K	94.2	20



Pin Spacing: 3.81mm  
 Orientation: Vertical Header  
 Clamp Type: –  
 Design: Single Mold - Closed End



**PVPxx-3.81**

**ELECTRICAL**

	Current	Voltage	Wire Range
	8A	300V	–
	8A	250V	–

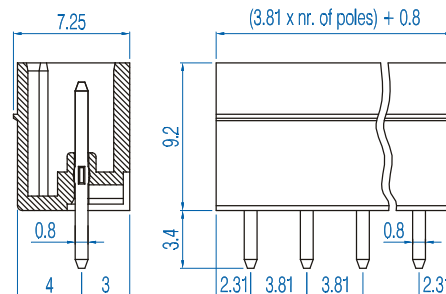
**INSTALLATION DATA**

<b>Screw Size</b>	–	<b>PCB Hole Size</b>	1.3mm
<b>Torque</b>	–	<b>Stripping Lgth.</b>	–

**MATERIAL**

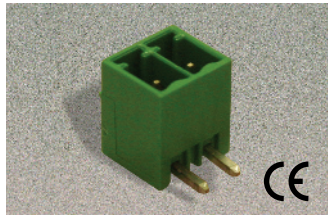
<b>Body</b>	Polyamide	<b>Screw</b>	–
<b>Flammability Class</b>	UL94V-0	<b>Terminal</b>	Tin-Plated Brass
<b>Temperature Limit</b>	105°C UL 125°C IEC	<b>Clamp</b>	–
<b>Color</b>	Green		

No. Poles	Cat. #	Length (mm)	Std. Pk.
2	PVP02-3.81	8.4	100
3	PVP03-3.81	12.2	100
4	PVP04-3.81	16.0	50
5	PVP05-3.81	19.9	50
6	PVP06-3.81	23.7	50
7	PVP07-3.81	27.5	50
8	PVP08-3.81	31.3	50
9	PVP09-3.81	35.1	50
10	PVP10-3.81	38.9	50
11	PVP11-3.81	42.7	50
12	PVP12-3.81	46.5	50
13	PVP13-3.81	50.3	20
14	PVP14-3.81	54.1	20
15	PVP15-3.81	58.0	20
16	PVP16-3.81	61.8	20
17	PVP17-3.81	65.6	20
18	PVP18-3.81	69.4	20
19	PVP19-3.81	73.2	20
20	PVP20-3.81	77.0	20
21	PVP21-3.81	80.8	20
22	PVP22-3.81	84.6	20
23	PVP23-3.81	88.4	20
24	PVP24-3.81	92.2	20






Pin Spacing: 3.81mm  
 Orientation: Horizontal Header  
 Clamp Type: –  
 Design: Single Mold - Closed End



**PHPxx-3.81**

**ELECTRICAL**

	Current	Voltage	Wire Range
	8A	300V	–
	8A	250V	–

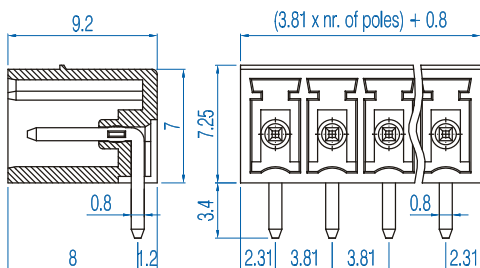
**INSTALLATION DATA**

Screw Size	–	PCB Hole Size	1.3mm
Torque	–	Stripping Lgth.	–

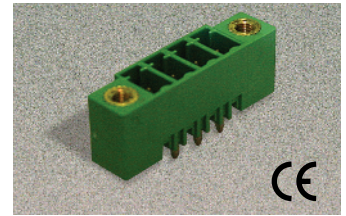
**MATERIAL**

Body	Polyamide	Screw	–
Flammability Class	UL94V-0	Terminal	Tin-Plated Brass
Temperature Limit	105°C UL 125°C IEC	Clamp	–
Color	Green		

No. Poles	Cat. #	Length (mm)	Std. Pk.
2	PHP02-3.81	8.4	100
3	PHP03-3.81	12.2	100
4	PHP04-3.81	16.0	50
5	PHP05-3.81	19.9	50
6	PHP06-3.81	23.7	50
7	PHP07-3.81	27.5	50
8	PHP08-3.81	31.3	50
9	PHP09-3.81	35.1	50
10	PHP10-3.81	38.9	50
11	PHP11-3.81	42.7	50
12	PHP12-3.81	46.5	50
13	PHP13-3.81	50.3	20
14	PHP14-3.81	54.1	20
15	PHP15-3.81	58.0	20
16	PHP16-3.81	61.8	20
17	PHP17-3.81	65.6	20
18	PHP18-3.81	69.4	20
19	PHP19-3.81	73.2	20
20	PHP20-3.81	77.0	20
21	PHP21-3.81	80.8	20
22	PHP22-3.81	84.6	20
23	PHP23-3.81	88.4	20
24	PHP24-3.81	92.2	20



Pin Spacing: 3.81mm  
 Orientation: Vertical Header  
 with Screw Flange  
 Clamp Type: –  
 Design: Single Mold



**PVxx-3.81-K**

**ELECTRICAL**

	Current	Voltage	Wire Range
	8A	300V	–
	8A	130V	–

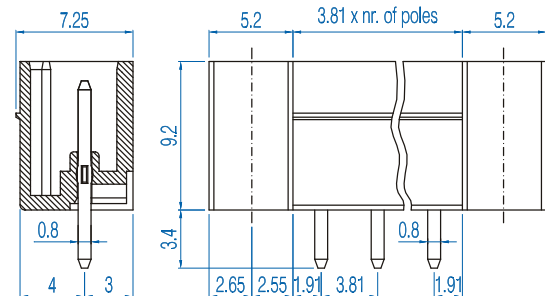
**INSTALLATION DATA**

Screw Size	–	PCB Hole Size	1.3mm
Torque	–	Stripping Lgth.	–

**MATERIAL**

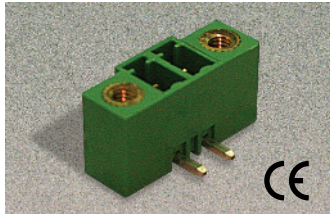
Body	Polyamide	Screw	–
Flammability Class	UL94V-0	Terminal	Tin-Plated Brass
Temperature Limit	105°C UL 125°C IEC	Clamp	–
Color	Green		

No. Poles	Cat. #	Length (mm)	Std. Pk.
2	PV2-3.81-K	18.0	100
3	PV03-3.81-K	21.8	100
4	PV04-3.81-K	25.6	50
5	PV05-3.81-K	29.5	50
6	PV06-3.81-K	33.3	50
7	PV07-3.81-K	37.1	50
8	PV08-3.81-K	40.9	50
9	PV09-3.81-K	44.7	50
10	PV10-3.81-K	48.5	50
11	PV11-3.81-K	52.3	50
12	PV12-3.81-K	56.1	50
13	PV13-3.81-K	59.9	20
14	PV14-3.81-K	63.7	20
15	PV15-3.81-K	67.6	20
16	PV16-3.81-K	71.4	20
17	PV17-3.81-K	75.2	20
18	PV18-3.81-K	79.0	20
19	PV19-3.81-K	82.8	20
20	PV20-3.81-K	86.6	20
21	PV21-3.81-K	90.4	20
22	PV22-3.81-K	94.2	20



# 3.81 and 5.00mm Pin Spacing – Pluggable PCB Blocks

Pin Spacing: 3.81mm  
 Orientation: Horizontal Header with Screw Flange  
 Clamp Type: –  
 Design: Single Mold



**PHxx-3.81-K**

**ELECTRICAL**

	Current	Voltage	Wire Range
	8A	300V	–
	8A	130V	–

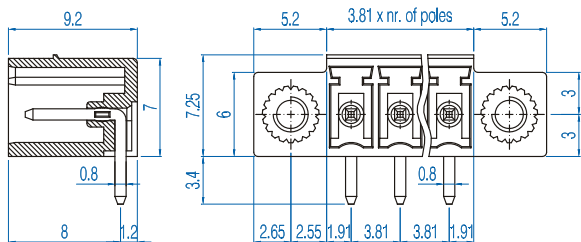
**INSTALLATION DATA**

<b>Screw Size</b>	–	<b>PCB Hole Size</b>	1.3mm
<b>Torque</b>	–	<b>Stripping Lgth.</b>	–

**MATERIAL**

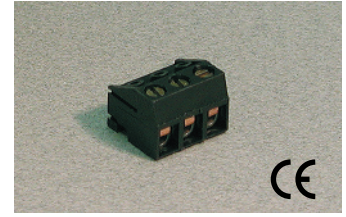
<b>Body</b>	Polyamide	<b>Screw</b>	–
<b>Flammability Class</b>	UL94V-0	<b>Terminal</b>	Tin-Plated Brass
<b>Temperature Limit</b>	105°C UL 125°C IEC	<b>Clamp</b>	–
<b>Color</b>	Green		

No. Poles	Cat. #	Length (mm)	Std. Pk.
2	PH02-3.81-K	18.0	100
3	PH03-3.81-K	21.8	100
4	PH04-3.81-K	25.6	50
5	PH05-3.81-K	29.5	50
6	PH06-3.81-K	33.3	50
7	PH07-3.81-K	37.1	50
8	PH08-3.81-K	40.9	50
9	PH09-3.81-K	44.7	50
10	PH10-3.81-K	48.5	50
11	PH11-3.81-K	52.3	50
12	PH12-3.81-K	56.1	50
13	PH13-3.81-K	59.9	20
14	PH14-3.81-K	63.7	20
15	PH15-3.81-K	67.6	20
16	PH16-3.81-K	71.4	20
17	PH17-3.81-K	75.2	20
18	PH18-3.81-K	79.0	20
19	PH19-3.81-K	82.8	20
20	PH20-3.81-K	86.6	20
21	PH21-3.81-K	90.4	20
22	PH22-3.81-K	94.2	20



\* Also available in 10.

Pin Spacing: 5.00mm\*  
 Orientation: Horizontal Plug  
 Clamp Type: Tubular Screw with Wire Protector  
 Design: Modular



**SHSxx-5.00**

**ELECTRICAL**

	Current	Voltage	Wire Range
	10A	300V	30-16AWG

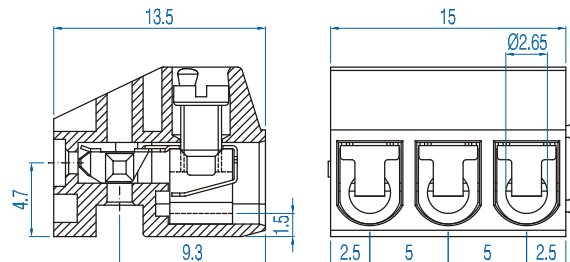
**INSTALLATION DATA**

<b>Screw Size</b>	M2.6	<b>PCB Hole Size</b>	–
<b>Torque</b>	0.5Nm (4.5 lbf-in.)	<b>Stripping Lgth.</b>	6.0mm

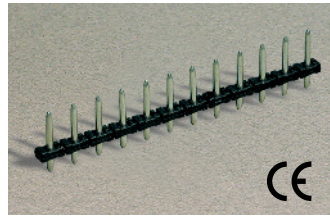
**MATERIAL**

<b>Body</b>	Glass-Filled Polyester	<b>Screw</b>	Galvanized Steel
<b>Flammability Class</b>	UL94V-0	<b>Terminal</b>	Cu-Be
<b>Temperature Limit</b>	120°C	<b>Wire Protector</b>	Tin-Plated Brass
<b>Color</b>	Black		

No. Poles	Cat. #	Length (mm)	Std. Pk.
2	SHS02-5.00	10.0	100
3	SHS03-5.00	15.0	100
4	SHS04-5.00	20.0	100
5	SHS05-5.00	25.0	50
6	SHS06-5.00	30.0	50
7	SHS07-5.00	35.0	50
8	SHS08-5.00	40.0	50
9	SHS09-5.00	45.0	50
10	SHS10-5.00	50.0	50
11	SHS11-5.00	55.0	50
12	SHS12-5.00	60.0	50
13	SHS13-5.00	65.0	50
14	SHS14-5.00	70.0	20
15	SHS15-5.00	75.0	20
16	SHS16-5.00	80.0	20
17	SHS17-5.00	85.0	20
18	SHS18-5.00	90.0	20
19	SHS19-5.00	95.0	20
20	SHS20-5.00	100.0	20
21	SHS21-5.00	105.0	20
22	SHS22-5.00	110.0	20
23	SHS23-5.00	115.0	20
24	SHS24-5.00	120.0	20




Pin Spacing: 5.00mm\*  
 Orientation: Vertical-Pin Header  
 Clamp Type: –  
 Design: Breakaway



**PVSxx-5.00**

**ELECTRICAL**

	Current	Voltage	Wire Range
	10A	300V	–

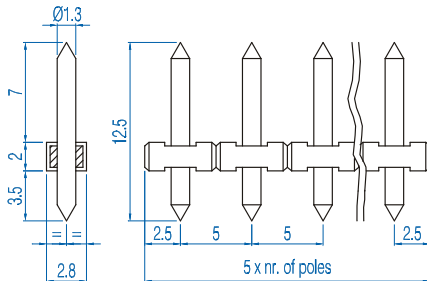
**INSTALLATION DATA**

<b>Screw Size</b>	–	<b>PCB Hole Size</b>	1.5mm
<b>Torque</b>	–	<b>Stripping Lgth.</b>	–

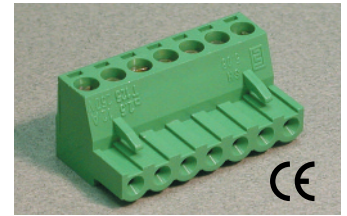
**MATERIAL**

<b>Body</b>	Polyamide	<b>Screw</b>	–
<b>Flammability Class</b>	UL94V-0	<b>Terminal</b>	Tin-Plated Brass
<b>Temperature Limit</b>	125°C	<b>Clamp</b>	–
<b>Color</b>	Black		

No. Poles	Cat. #	Length (mm)	Std. Pk.
2	PVS02-5.00	10.0	100
3	PVS03-5.00	15.0	100
4	PVS04-5.00	20.0	100
5	PVS05-5.00	25.0	50
6	PVS06-5.00	30.0	50
7	PVS07-5.00	35.0	50
8	PVS08-5.00	40.0	50
9	PVS09-5.00	45.0	50
10	PVS10-5.00	50.0	50
11	PVS11-5.00	55.0	50
12	PVS12-5.00	60.0	50
13	PVS13-5.00	65.0	50
14	PVS14-5.00	70.0	20
15	PVS15-5.00	75.0	20
16	PVS16-5.00	80.0	20
17	PVS17-5.00	85.0	20
18	PVS18-5.00	90.0	20
19	PVS19-5.00	95.0	20
20	PVS20-5.00	100.0	20
21	PVS21-5.00	105.0	20
22	PVS22-5.00	110.0	20
23	PVS23-5.00	115.0	20
24	PVS24-5.00	120.0	20





Pin Spacing: 5.00mm  
 Orientation: Horizontal Plug  
 Clamp Type: Screw Cage  
 Design: Single Mold



**SHxx-5.00**

**ELECTRICAL**

	Current	Voltage	Wire Range
	12A	300V	30-14AWG
	16A	450V	2.5mm² Stranded 4.0mm² Solid

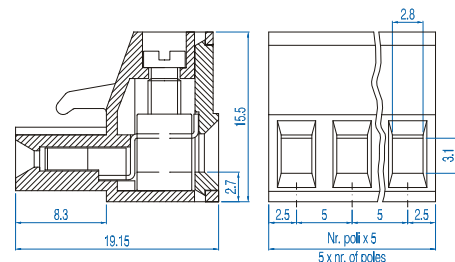
**INSTALLATION DATA**

<b>Screw Size</b>	M3	<b>PCB Hole Size</b>	–
<b>Torque</b>	0.5Nm (4.5 lbf-in.)	<b>Stripping Lgth.</b>	7.5mm

**MATERIAL**

<b>Body</b>	Polyamide	<b>Screw</b>	Galvanized Steel
<b>Flammability Class</b>	UL94V-0	<b>Terminal</b>	Nickeled Brass
<b>Temperature Limit</b>	105°C UL 125°C IEC	<b>Clamp</b>	Nickeled Brass
<b>Color</b>	Green		

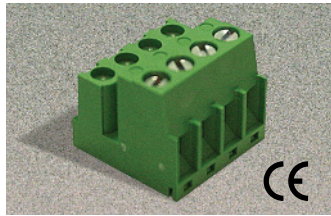
No. Poles	Cat. #	Length (mm)	Std. Pk.
2	SH02-5.00	10.0	100
3	SH03-5.00	15.0	100
4	SH04-5.00	20.0	100
5	SH05-5.00	25.0	50
6	SH06-5.00	30.0	50
7	SH07-5.00	35.0	50
8	SH08-5.00	40.0	50
9	SH09-5.00	45.0	50
10	SH10-5.00	50.0	50
11	SH11-5.00	55.0	50
12	SH12-5.00	60.0	50
13	SH13-5.00	65.0	50
14	SH14-5.00	70.0	20
15	SH15-5.00	75.0	20
16	SH16-5.00	80.0	20
17	SH17-5.00	85.0	20
18	SH18-5.00	90.0	20
19	SH19-5.00	95.0	20
20	SH20-5.00	100.0	20
21	SH21-5.00	105.0	20
22	SH22-5.00	110.0	20
23	SH23-5.00	115.0	20
24	SH24-5.00	120.0	20



\* Also available in 10.00mm pin spacing

# 5.00mm Pin Spacing – Pluggable PCB Blocks

Pin Spacing: 5.00mm  
 Orientation: Vertical Plug  
 Clamp Type: Screw Cage  
 Design: Single Mold



**SVRxx-5.00**

**ELECTRICAL**

	Current	Voltage	Wire Range
	12A	300V	30-14AWG
	16A	250V	2.5mm <sup>2</sup> Stranded 4.0mm <sup>2</sup> Solid

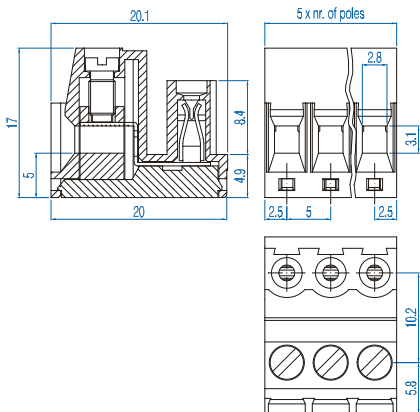
**INSTALLATION DATA**

<b>Screw Size</b>	M3	<b>PCB Hole Size</b>	–
<b>Torque</b>	0.5Nm (4.5 lbf-in.)	<b>Stripping Lgth.</b>	7.5mm

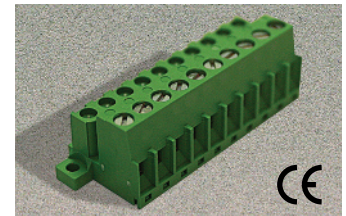
**MATERIAL**

<b>Body</b>	Polyamide	<b>Screw</b>	Galvanized Steel
<b>Flammability Class</b>	UL94V-0	<b>Terminal</b>	Tin-Plated Brass
<b>Temperature Limit</b>	105°C UL 125°C IEC	<b>Clamp</b>	Nickel Brass
<b>Color</b>	Green		

No. Poles	Cat. #	Length (mm)	Std. Pk.
2	SVR02-5.00	10.00	100
3	SVR03-5.00	15.00	100
4	SVR04-5.00	20.00	50
5	SVR05-5.00	25.00	50
6	SVR06-5.00	30.00	50
7	SVR07-5.00	35.00	50
8	SVR08-5.00	40.00	50
9	SVR09-5.00	45.00	50
10	SVR10-5.00	50.00	50
11	SVR11-5.00	55.00	50
12	SVR12-5.00	60.00	50
13	SVR13-5.00	65.00	20
14	SVR14-5.00	70.00	20
15	SVR15-5.00	75.00	20
16	SVR16-5.00	80.00	20
17	SVR17-5.00	85.00	20
18	SVR18-5.00	90.00	20
19	SVR19-5.00	95.00	20
20	SVR20-5.00	100.00	20
21	SVR21-5.00	105.00	20
22	SVR22-5.00	110.00	20
23	SVR23-5.00	115.00	20
24	SVR24-5.00	120.00	20



Pin Spacing: 5.00mm  
 Orientation: Vertical Plug with flange  
 Clamp Type: Screw Cage  
 Design: Single Mold



**SVRxx-5.00-K**

**ELECTRICAL**

	Current	Voltage	Wire Range
	12A	300V	30-14AWG
	16A	250V	2.5mm <sup>2</sup> Stranded 4.0mm <sup>2</sup> Solid

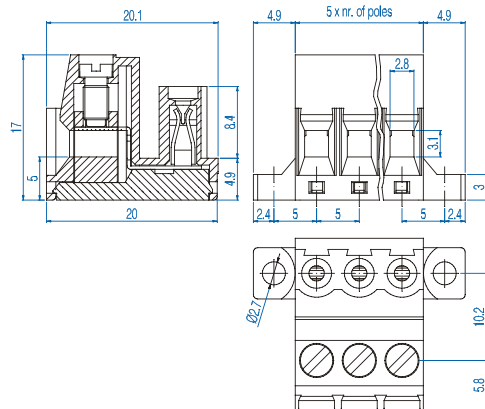
**INSTALLATION DATA**

<b>Screw Size</b>	M3	<b>PCB Hole Size</b>	–
<b>Torque</b>	0.5Nm (4.5 lbf-in.)	<b>Stripping Lgth.</b>	7.5mm

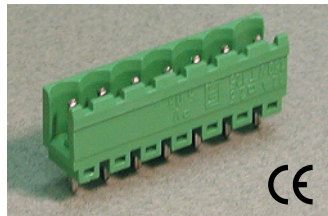
**MATERIAL**

<b>Body</b>	Polyamide	<b>Screw</b>	Galvanized Steel
<b>Flammability Class</b>	UL94V-0	<b>Terminal</b>	Tin-Plated Brass
<b>Temperature Limit</b>	105°C UL 125°C IEC	<b>Clamp</b>	Nickel Brass
<b>Color</b>	Green		

No. Poles	Cat. #	Length (mm)	Std. Pk.
2	SVR02-5.00-K	19.8	100
3	SVR03-5.00-K	24.8	100
4	SVR04-5.00-K	29.8	50
5	SVR05-5.00-K	34.8	50
6	SVR06-5.00-K	39.8	50
7	SVR07-5.00-K	44.8	50
8	SVR08-5.00-K	49.8	50
9	SVR09-5.00-K	54.8	50
10	SVR10-5.00-K	59.8	50
11	SVR11-5.00-K	64.8	50
12	SVR12-5.00-K	69.8	50
13	SVR13-5.00-K	74.8	20
14	SVR14-5.00-K	79.8	20
15	SVR15-5.00-K	84.8	20
16	SVR16-5.00-K	89.8	20
17	SVR17-5.00-K	94.8	20
18	SVR18-5.00-K	99.8	20
19	SVR19-5.00-K	104.8	20
20	SVR20-5.00-K	109.8	20
21	SVR21-5.00-K	114.8	20
22	SVR22-5.00-K	119.8	20



Pin Spacing: 5.00mm  
 Orientation: Vertical Header  
 Clamp Type: –  
 Design: Single Mold-Open End



**PVxx-5.00**

**ELECTRICAL**

	Current	Voltage	Wire Range
	12A	300V	–
	16A	450V	–

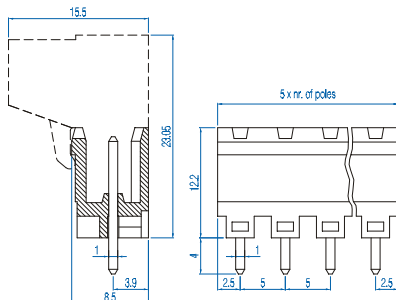
**INSTALLATION DATA**

Screw Size	–	PCB Hole Size	1.5mm
Torque	–	Stripping Lgth.	–

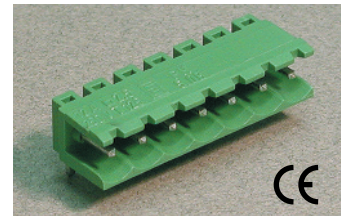
**MATERIAL**

Body	Polyamide	Screw	–
Flammability Class	UL94V-0	Terminal	Tin-Plated Brass
Temperature Limit	105°C UL 125°C IEC	Clamp	–
Color	Green		

No. Poles	Cat. #	Length (mm)	Std. Pk.
2	PV02-5.00	10.0	100
3	PV03-5.00	15.0	100
4	PV04-5.00	20.0	50
5	PV05-5.00	25.0	50
6	PV06-5.00	30.0	50
7	PV07-5.00	35.0	50
8	PV08-5.00	40.0	50
9	PV09-5.00	45.0	50
10	PV10-5.00	50.0	50
11	PV11-5.00	55.0	50
12	PV12-5.00	60.0	50
13	PV13-5.00	65.0	20
14	PV14-5.00	70.0	20
15	PV15-5.00	75.0	20
16	PV16-5.00	80.0	20
17	PV17-5.00	85.0	20
18	PV18-5.00	90.0	20
19	PV19-5.00	95.0	20
20	PV20-5.00	100.0	20
21	PV21-5.00	105.0	20
22	PV22-5.00	110.0	20
23	PV23-5.00	115.0	20
24	PV24-5.00	120.0	20



Pin Spacing: 5.00mm  
 Orientation: Horizontal Header  
 Clamp Type: –  
 Design: Single Mold - Open End



**PHxx-5.00**

**ELECTRICAL**

	Current	Voltage	Wire Range
	12A	300V	–
	16A	450V	–

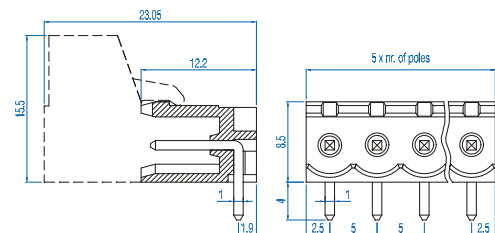
**INSTALLATION DATA**

Screw Size	–	PCB Hole Size	1.5mm
Torque	–	Stripping Lgth.	–

**MATERIAL**

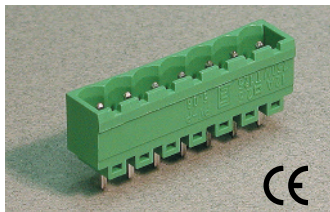
Body	Polyamide	Screw	–
Flammability Class	UL94V-0	Terminal	Tin-Plated Brass
Temperature Limit	105°C UL 125°C IEC	Clamp	–
Color	Green		

No. Poles	Cat. #	Length (mm)	Std. Pk.
2	PH02-5.00	10.0	100
3	PH03-5.00	15.0	100
4	PH04-5.00	20.0	50
5	PH05-5.00	25.0	50
6	PH06-5.00	30.0	50
7	PH07-5.00	35.0	50
8	PH08-5.00	40.0	50
9	PH09-5.00	45.0	50
10	PH10-5.00	50.0	50
11	PH11-5.00	55.0	50
12	PH12-5.00	60.0	50
13	PH13-5.00	65.0	20
14	PH14-5.00	70.0	20
15	PH15-5.00	75.0	20
16	PH16-5.00	80.0	20
17	PH17-5.00	85.0	20
18	PH18-5.00	90.0	20
19	PH19-5.00	95.0	20
20	PH20-5.00	100.0	20
21	PH21-5.00	105.0	20
22	PH22-5.00	110.0	20
23	PH23-5.00	115.0	20
24	PH24-5.00	120.0	20



# 5.00mm Pin Spacing – Pluggable PCB Blocks

Pin Spacing: 5.00mm  
 Orientation: Vertical Header  
 Clamp Type: –  
 Design: Single Mold - Closed End



**PVPxx-5.00**

**ELECTRICAL**

	Current	Voltage	Wire Range
	12A	300V	–
	16A	450V	–

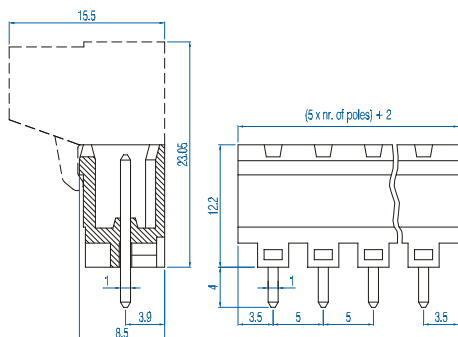
**INSTALLATION DATA**

Screw Size	–	PCB Hole Size	1.5mm
Torque	–	Stripping Lgth.	–

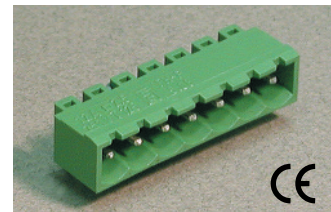
**MATERIAL**

Body	Polyamide	Screw	–
Flammability Class	UL94V-0	Terminal	Tin-Plated Brass
Temperature Limit	105°C UL 125°C IEC	Clamp	–
Color	Green		

No. Poles	Cat. #	Length (mm)	Std. Pk.
2	PVP02-5.00	12.0	100
3	PVP03-5.00	17.0	100
4	PVP04-5.00	22.0	50
5	PVP05-5.00	27.0	50
6	PVP06-5.00	32.0	50
7	PVP07-5.00	37.0	50
8	PVP08-5.00	42.0	50
9	PVP09-5.00	47.0	50
10	PVP10-5.00	52.0	50
11	PVP11-5.00	57.0	50
12	PVP12-5.00	62.0	50
13	PVP13-5.00	67.0	20
14	PVP14-5.00	72.0	20
15	PVP15-5.00	77.0	20
16	PVP16-5.00	82.0	20
17	PVP17-5.00	87.0	20
18	PVP18-5.00	92.0	20
19	PVP19-5.00	97.0	20
20	PVP20-5.00	102.0	20
21	PVP21-5.00	107.0	20
22	PVP22-5.00	112.0	20
23	PVP23-5.00	117.0	20
24	PVP24-5.00	122.0	20



Pin Spacing: 5.00mm  
 Orientation: Horizontal Header  
 Clamp Type: –  
 Design: Single Mold - Closed End



**PHPxx-5.00**

**ELECTRICAL**

	Current	Voltage	Wire Range
	12A	300V	–
	16A	450V	–

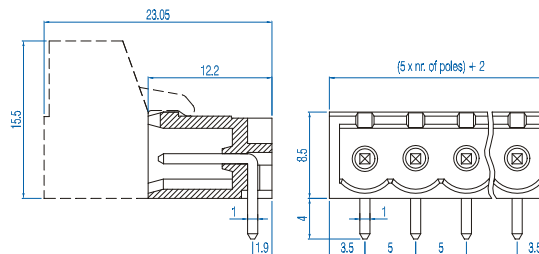
**INSTALLATION DATA**

Screw Size	–	PCB Hole Size	1.5mm
Torque	–	Stripping Lgth.	–

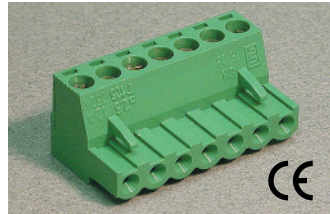
**MATERIAL**

Body	Polyamide	Screw	–
Flammability Class	UL94V-0	Terminal	Tin-Plated Brass
Temperature Limit	105°C UL 125°C IEC	Clamp	–
Color	Green		

No. Poles	Cat. #	Length (mm)	Std. Pk.
2	PHP02-5.00	12.0	100
3	PHP03-5.00	17.0	100
4	PHP04-5.00	22.0	50
5	PHP05-5.00	27.0	50
6	PHP06-5.00	32.0	50
7	PHP07-5.00	37.0	50
8	PHP08-5.00	42.0	50
9	PHP09-5.00	47.0	50
10	PHP10-5.00	52.0	50
11	PHP11-5.00	57.0	50
12	PHP12-5.00	62.0	50
13	PHP13-5.00	67.0	20
14	PHP14-5.00	72.0	20
15	PHP15-5.00	77.0	20
16	PHP16-5.00	82.0	20
17	PHP17-5.00	87.0	20
18	PHP18-5.00	92.0	20
19	PHP19-5.00	97.0	20
20	PHP20-5.00	102.0	20
21	PHP21-5.00	107.0	20
22	PHP22-5.00	112.0	20
23	PHP23-5.00	117.0	20
24	PHP24-5.00	122.0	20





Pin Spacing: 5.08mm  
 Orientation: Horizontal Plug  
 Clamp Type: Screw Cage  
 Design: Single Mold



**SHxx-5.08**

**ELECTRICAL**

	Current	Voltage	Wire Range
	12A	300V	30-14AWG
	16A	450V	2.5mm <sup>2</sup> Stranded 4.0mm <sup>2</sup> Solid

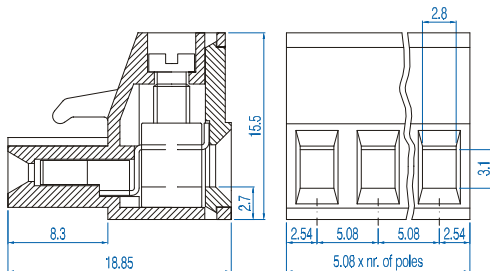
**INSTALLATION DATA**

<b>Screw Size</b>	M3	<b>PCB Hole Size</b>	–
<b>Torque</b>	0.5Nm (4.5 lbf-in.)	<b>Stripping Lgth.</b>	7.5mm

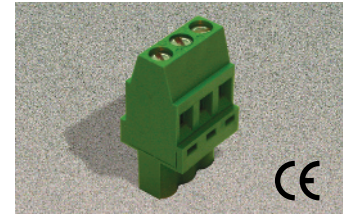
**MATERIAL**

<b>Body</b>	Polyamide	<b>Screw</b>	Galvanized Steel
<b>Flammability Class</b>	UL94V-0	<b>Terminal</b>	Nickel Brass
<b>Temperature Limit</b>	105°C UL 125°C IEC	<b>Clamp</b>	Nickel Brass
<b>Color</b>	Green		

No. Poles	Cat. #	Length (mm)	Std. Pk.
2	SH02-5.08	10.2	100
3	SH03-5.08	15.2	100
4	SH04-5.08	20.3	50
5	SH05-5.08	25.4	50
6	SH06-5.08	30.5	50
7	SH07-5.08	35.6	50
8	SH08-5.08	40.6	50
9	SH09-5.08	45.7	50
10	SH10-5.08	50.8	50
11	SH11-5.08	55.9	50
12	SH12-5.08	61.0	50
13	SH13-5.08	66.0	20
14	SH14-5.08	71.1	20
15	SH15-5.08	76.2	20
16	SH16-5.08	81.3	20
17	SH17-5.08	86.4	20
18	SH18-5.08	91.4	20
19	SH19-5.08	96.5	20
20	SH20-5.08	101.6	20
21	SH21-5.08	106.7	20
22	SH22-5.08	111.8	20
23	SH23-5.08	116.6	20
24	SH24-5.08	121.9	20





Pin Spacing: 5.08mm  
 Orientation: Vertical Plug-Wire Entry on Scalloped Side  
 Clamp Type: Screw Cage  
 Design: Single Mold



**SVPxx-5.08**

**ELECTRICAL**

	Current	Voltage	Wire Range
	12A	300V	30-14AWG
	16A	450V	2.5mm <sup>2</sup> Stranded 4.0mm <sup>2</sup> Solid

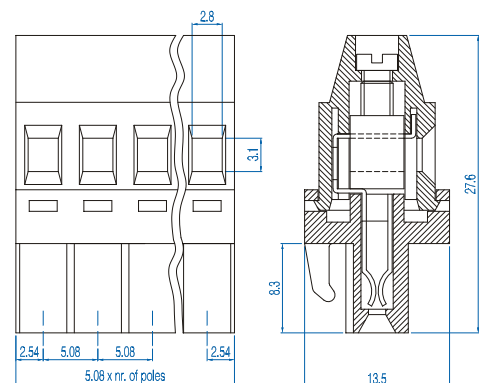
**INSTALLATION DATA**

<b>Screw Size</b>	M3	<b>PCB Hole Size</b>	–
<b>Torque</b>	0.5Nm (4.5 lbf-in.)	<b>Stripping Lgth.</b>	9.1mm

**MATERIAL**

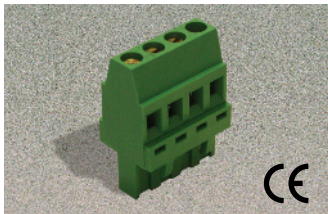
<b>Body</b>	Polyamide	<b>Screw</b>	Galvanized Steel
<b>Flammability Class</b>	UL94V-0	<b>Terminal</b>	Nickel Brass
<b>Temperature Limit</b>	105°C UL 125°C IEC	<b>Clamp</b>	Nickel Brass
<b>Color</b>	Green		

No. Poles	Cat. #	Length (mm)	Std. Pk.
2	SVP02-5.08	10.2	100
3	SVP03-5.08	15.2	100
4	SVP04-5.08	20.3	50
5	SVP05-5.08	25.4	50
6	SVP06-5.08	30.5	50
7	SVP07-5.08	35.6	50
8	SVP08-5.08	40.6	50
9	SVP09-5.08	45.7	50
10	SVP10-5.08	50.8	50
11	SVP11-5.08	55.9	50
12	SVP12-5.08	61.0	50
13	SVP13-5.08	66.0	20
14	SVP14-5.08	71.1	20
15	SVP15-5.08	76.2	20
16	SVP16-5.08	81.3	20
17	SVP17-5.08	86.4	20
18	SVP18-5.08	91.4	20
19	SVP19-5.08	96.5	20
20	SVP20-5.08	101.6	20
21	SVP21-5.08	106.7	20
22	SVP22-5.08	111.8	20
23	SVP23-5.08	116.6	20
24	SVP24-5.08	121.9	20



# 5.08mm Pin Spacing – Pluggable PCB Blocks

Pin Spacing: 5.08mm  
 Orientation: Vertical Plug-Wire Entry  
 on Locking Tab Side  
 Clamp Type: Screw Cage  
 Design: Single Mold



**SVFxx-5.08**

**ELECTRICAL**

	Current	Voltage	Wire Range
	12A	300V	30-14AWG
	16A	450V	2.5mm <sup>2</sup> Stranded 4.0mm <sup>2</sup> Solid

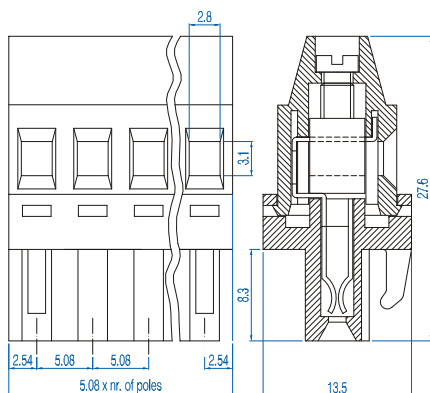
**INSTALLATION DATA**

Screw Size	M3	PCB Hole Size	–
Torque	0.5Nm (4.5 lbf-in.)	Stripping Lgth.	9.1mm

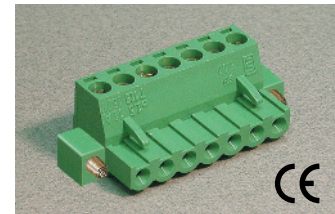
**MATERIAL**

<b>Body</b>	Polyamide	<b>Screw</b>	Galvanized Steel
<b>Flammability Class</b>	UL94V-0	<b>Terminal</b>	Nickeled Brass
<b>Temperature Limit</b>	105°C UL 125°C IEC	<b>Clamp</b>	Nickeled Brass
<b>Color</b>	Green		

No. Poles	Cat. #	Length (mm)	Std. Pk.
2	SVF02-5.08	10.2	100
3	SVF03-5.08	15.2	100
4	SVF04-5.08	20.3	50
5	SVF05-5.08	25.4	50
6	SVF06-5.08	30.5	50
7	SVF07-5.08	35.6	50
8	SVF08-5.08	40.6	50
9	SVF09-5.08	45.7	50
10	SVF10-5.08	50.8	50
11	SVF11-5.08	55.9	50
12	SVF12-5.08	61.0	50
13	SVF13-5.08	66.0	20
14	SVF14-5.08	71.1	20
15	SVF15-5.08	76.2	20
16	SVF16-5.08	81.3	20
17	SVF17-5.08	86.4	20
18	SVF18-5.08	91.4	20
19	SVF19-5.08	96.5	20
20	SVF20-5.08	101.6	20
21	SVF21-5.08	106.7	20
22	SVF22-5.08	111.8	20
23	SVF23-5.08	116.6	20
24	SVF24-5.08	121.9	20



Pin Spacing: 5.08mm  
 Orientation: Horizontal Plug with  
 Screw Flange  
 Clamp Type: Screw Cage  
 Design: Single Mold



**SHxx-5.08-K**

**ELECTRICAL**

	Current	Voltage	Wire Range
	12A	300V	30-14AWG
	16A	500V	2.5mm <sup>2</sup> Stranded 4.0mm <sup>2</sup> Solid

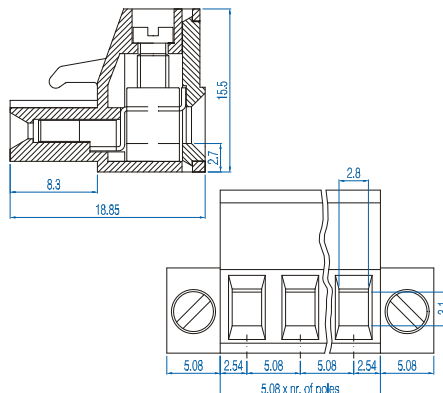
**INSTALLATION DATA**

Screw Size	M3	PCB Hole Size	–
Torque	0.5Nm (4.5 lbf-in.)	Stripping Lgth.	7.5mm

**MATERIAL**

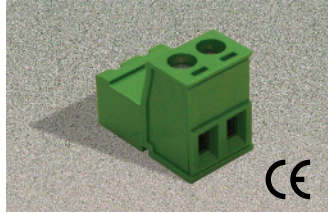
<b>Body</b>	Polyamide	<b>Screw</b>	Galvanized Steel
<b>Flammability Class</b>	UL94V-0	<b>Terminal</b>	Nickeled Brass
<b>Temperature Limit</b>	105°C UL 125°C IEC	<b>Clamp</b>	Nickeled Brass
<b>Color</b>	Green		

No. Poles	Cat. #	Length (mm)	Std. Pk.
2	SH02-5.08 - K	20.3	100
3	SH03-5.08 - K	25.4	100
4	SH04-5.08 - K	30.5	50
5	SH05-5.08 - K	35.6	50
6	SH06-5.08 - K	40.6	50
7	SH07-5.08 - K	45.7	50
8	SH08-5.08 - K	50.8	50
9	SH09-5.08 - K	55.9	50
10	SH10-5.08 - K	61.0	50
11	SH11-5.08 - K	66.0	50
12	SH12-5.08 - K	71.1	50
13	SH13-5.08 - K	76.2	20
14	SH14-5.08 - K	81.3	20
15	SH15-5.08 - K	86.4	20
16	SH16-5.08 - K	91.4	20
17	SH17-5.08 - K	96.5	20
18	SH18-5.08 - K	101.6	20
19	SH19-5.08 - K	106.7	20
20	SH20-5.08 - K	111.8	20
21	SH21-5.08 - K	116.6	20
22	SH22-5.08 - K	121.9	20





Pin Spacing: 5.08mm  
 Orientation: Horizontal Inverted Plug  
 Clamp Type: Screw Cage  
 Design: Single Mold



**SFxx-5.08**

**ELECTRICAL**

	Current	Voltage	Wire Range
	12A	300V	30-14AWG
	16A	450V	2.5mm <sup>2</sup> Stranded 4.0mm <sup>2</sup> Solid

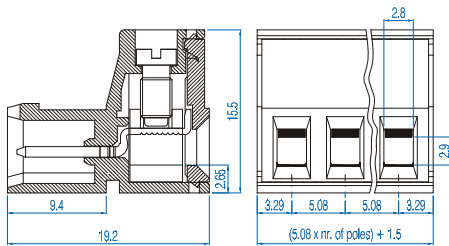
**INSTALLATION DATA**

<b>Screw Size</b>	M3	<b>PCB Hole Size</b>	–
<b>Torque</b>	0.5Nm (4.5 lbf-in.)	<b>Stripping Lgth.</b>	7.5mm

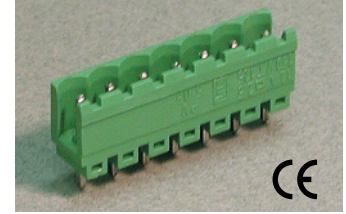
**MATERIAL**

<b>Body</b>	Polyamide	<b>Screw</b>	Galvanized Steel
<b>Flammability Class</b>	UL94V-0	<b>Terminal</b>	Nickeled Brass
<b>Temperature Limit</b>	105°C UL 125°C IEC	<b>Clamp</b>	Nickeled Brass
<b>Color</b>	Green		

No. Poles	Cat. #	Length (B) (mm)	Std. Pk.
2	SF02-5.08	11.7	100
3	SF03-5.08	16.7	100
4	SF04-5.08	21.8	50
5	SF05-5.08	27.0	50
6	SF06-5.08	32.0	50
7	SF07-5.08	37.1	50
8	SF08-5.08	42.1	50
9	SF09-5.08	47.2	50
10	SF10-5.08	52.3	50
11	SF11-5.08	57.4	50
12	SF12-5.08	62.5	50
13	SF13-5.08	67.5	20
14	SF14-5.08	72.6	20
15	SF15-5.08	77.7	20
16	SF16-5.08	82.8	20
17	SF17-5.08	87.9	20
18	SF18-5.08	92.9	20
19	SF19-5.08	98.0	20
20	SF20-5.08	103.1	20
21	SF21-5.08	108.2	20
22	SF22-5.08	113.3	20
23	SF23-5.08	118.3	20
24	SF24-5.08	123.4	20



Pin Spacing: 5.08mm  
 Orientation: Vertical Header  
 Clamp Type: –  
 Design: Single Mold-Open End



**PVxx-5.08**

**ELECTRICAL**

	Current	Voltage	Wire Range
	12A	300V	–
	16A	450V	–

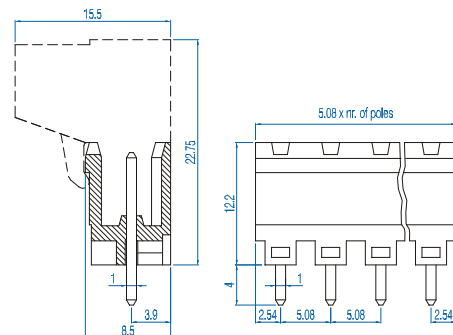
**INSTALLATION DATA**

<b>Screw Size</b>	–	<b>PCB Hole Size</b>	1.5mm
<b>Torque</b>	–	<b>Stripping Lgth.</b>	–

**MATERIAL**

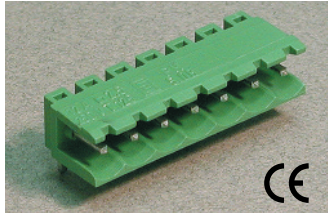
<b>Body</b>	Polyamide	<b>Screw</b>	–
<b>Flammability Class</b>	UL94V-0	<b>Terminal</b>	Tin-Plated Brass
<b>Temperature Limit</b>	105°C UL 125°C IEC	<b>Clamp</b>	–
<b>Color</b>	Green		

No. Poles	Cat. #	Length (mm)	Std. Pk.
2	PV02-5.08	10.2	100
3	PV03-5.08	15.2	100
4	PV04-5.08	20.3	50
5	PV05-5.08	25.4	50
6	PV06-5.08	30.5	50
7	PV07-5.08	35.6	50
8	PV08-5.08	40.6	50
9	PV09-5.08	45.7	50
10	PV10-5.08	50.8	50
11	PV11-5.08	55.9	50
12	PV12-5.08	61.0	50
13	PV13-5.08	66.0	20
14	PV14-5.08	71.1	20
15	PV15-5.08	76.2	20
16	PV16-5.08	81.3	20
17	PV17-5.08	86.4	20
18	PV18-5.08	91.4	20
19	PV19-5.08	96.5	20
20	PV20-5.08	101.6	20
21	PV21-5.08	106.7	20
22	PV22-5.08	111.8	20
23	PV23-5.08	116.6	20
24	PV24-5.08	121.9	20





# 5.08mm Pin Spacing – Pluggable PCB Blocks

Pin Spacing: 5.08mm  
 Orientation: Horizontal Header  
 Clamp Type: –  
 Design: Single Mold - Open End



**PHxx-5.08**

**ELECTRICAL**

	Current	Voltage	Wire Range
	12A	300V	–
	16A	450V	–

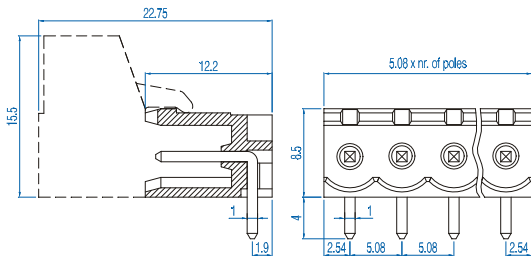
**INSTALLATION DATA**

Screw Size	–	PCB Hole Size	1.5mm
Torque	–	Stripping Lgth.	–

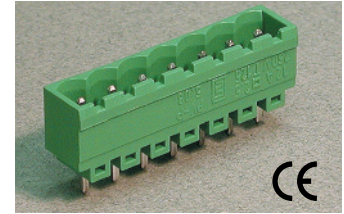
**MATERIAL**

Body	Polyamide	Screw	–
Flammability Class	UL94V-0	Terminal	Tin-Plated Brass
Temperature Limit	105°C UL 125°C IEC	Clamp	–
Color	Green		

No. Poles	Cat. #	Length (mm)	Std. Pk.
2	PH02-5.08	10.2	100
3	PH03-5.08	15.2	100
4	PH04-5.08	20.3	50
5	PH05-5.08	25.4	50
6	PH06-5.08	30.5	50
7	PH07-5.08	35.6	50
8	PH08-5.08	40.6	50
9	PH09-5.08	45.7	50
10	PH10-5.08	50.8	50
11	PH11-5.08	55.9	50
12	PH12-5.08	61.0	50
13	PH13-5.08	66.0	20
14	PH14-5.08	71.1	20
15	PH15-5.08	76.2	20
16	PH16-5.08	81.3	20
17	PH17-5.08	86.4	20
18	PH18-5.08	91.4	20
19	PH19-5.08	96.5	20
20	PH20-5.08	101.6	20
21	PH21-5.08	106.7	20
22	PH22-5.08	111.8	20
23	PH23-5.08	116.6	20
24	PH24-5.08	121.9	20





Pin Spacing: 5.08mm  
 Orientation: Vertical Header  
 Clamp Type: –  
 Design: Single Mold - Closed End



**PVPxx-5.08**

**ELECTRICAL**

	Current	Voltage	Wire Range
	12A	300V	–
	16A	450V	–

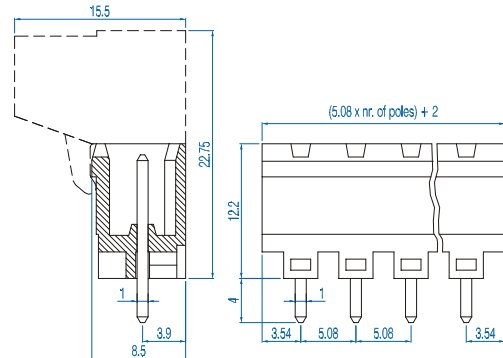
**INSTALLATION DATA**

Screw Size	–	PCB Hole Size	1.5mm
Torque	–	Stripping Lgth.	–

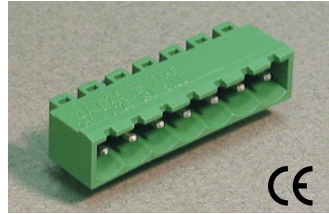
**MATERIAL**

Body	Polyamide	Screw	–
Flammability Class	UL94V-0	Terminal	Tin-Plated Brass
Temperature Limit	105°C UL 125°C IEC	Clamp	–
Color	Green		

No. Poles	Cat. #	Length (mm)	Std. Pk.
2	PVP02-5.08	12.2	100
3	PVP03-5.08	17.2	100
4	PVP04-5.08	22.3	50
5	PVP05-5.08	27.4	50
6	PVP06-5.08	32.5	50
7	PVP07-5.08	37.6	50
8	PVP08-5.08	42.6	50
9	PVP09-5.08	47.7	50
10	PVP10-5.08	52.8	50
11	PVP11-5.08	57.9	50
12	PVP12-5.08	63.0	50
13	PVP13-5.08	68.0	20
14	PVP14-5.08	73.1	20
15	PVP15-5.08	78.2	20
16	PVP16-5.08	83.3	20
17	PVP17-5.08	88.4	20
18	PVP18-5.08	93.4	20
19	PVP19-5.08	98.5	20
20	PVP20-5.08	103.6	20
21	PVP21-5.08	108.7	20
22	PVP22-5.08	113.8	20
23	PVP23-5.08	118.6	20
24	PVP24-5.08	123.9	20



Pin Spacing: 5.08mm  
 Orientation: Horizontal Header  
 Clamp Type: –  
 Design: Single Mold - Closed End



**PHPxx-5.08**

**ELECTRICAL**

	Current	Voltage	Wire Range
	12A	300V	–
	16A	450V	–

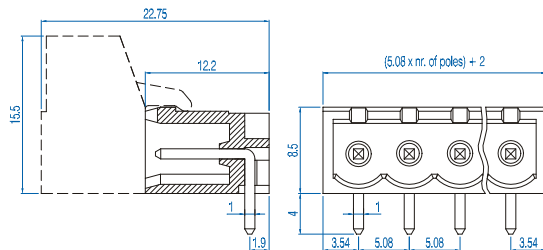
**INSTALLATION DATA**

Screw Size	–	PCB Hole Size	1.5mm
Torque	–	Stripping Lgth.	–

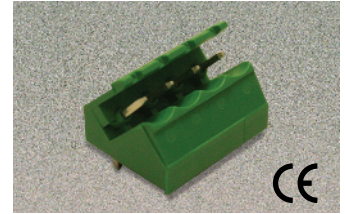
**MATERIAL**

Body	Polyamide	Screw	–
Flammability Class	UL94V-0	Terminal	Tin-Plated Brass
Temperature Limit	105°C UL 125°C IEC	Clamp	–
Color	Green		

No. Poles	Cat. #	Length (mm)	Std. Pk.
2	PHP02-5.08	12.2	100
3	PHP03-5.08	17.2	100
4	PHP04-5.08	22.3	50
5	PHP05-5.08	27.4	50
6	PHP06-5.08	32.5	50
7	PHP07-5.08	37.6	50
8	PHP08-5.08	42.6	50
9	PHP09-5.08	47.7	50
10	PHP10-5.08	52.8	50
11	PHP11-5.08	57.9	50
12	PHP12-5.08	63.0	50
13	PHP13-5.08	68.0	20
14	PHP14-5.08	73.1	20
15	PHP15-5.08	78.2	20
16	PHP16-5.08	83.3	20
17	PHP17-5.08	88.4	20
18	PHP18-5.08	93.4	20
19	PHP19-5.08	98.5	20
20	PHP20-5.08	103.6	20
21	PHP21-5.08	108.7	20
22	PHP22-5.08	113.8	20
23	PHP23-5.08	118.6	20
24	PHP24-5.08	123.9	20



Pin Spacing: 5.08mm  
 Orientation: 45° Angle Header  
 Design: Single Mold - Open End



**Plxx-5.08**

**ELECTRICAL**

	Current	Voltage	Wire Range
	12A	300V	–
	16A	450V	–

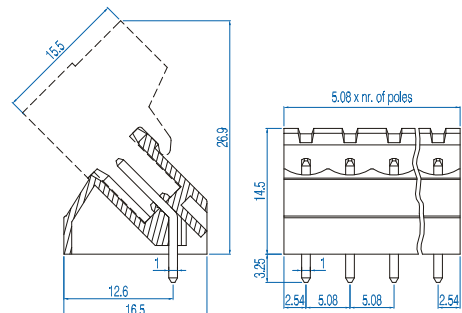
**INSTALLATION DATA**

Screw Size	–	PCB Hole Size	1.5mm
Torque	–	Stripping Lgth.	–

**MATERIAL**

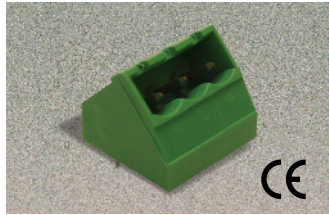
Body	Polyamide	Screw	–
Flammability Class	UL94V-0	Terminal	Tin-Plated Brass
Temperature Limit	105°C UL 125°C IEC	Clamp	–
Color	Green		

No. Poles	Cat. #	Length (mm)	Std. Pk.
2	PI02-5.08	10.2	100
3	PI03-5.08	15.2	100
4	PI04-5.08	20.3	50
5	PI05-5.08	25.4	50
6	PI06-5.08	30.5	50
7	PI07-5.08	35.6	50
8	PI08-5.08	40.6	50
9	PI09-5.08	45.7	50
10	PI10-5.08	50.8	50
11	PI11-5.08	55.9	50
12	PI12-5.08	61.0	50
13	PI13-5.08	66.0	20
14	PI14-5.08	71.1	20
15	PI15-5.08	76.2	20
16	PI16-5.08	81.3	20
17	PI17-5.08	86.4	20
18	PI18-5.08	91.4	20
19	PI19-5.08	96.5	20
20	PI20-5.08	101.6	20
21	PI21-5.08	106.7	20
22	PI22-5.08	111.8	20
23	PI23-5.08	116.8	20
24	PI24-5.08	121.9	20



# 5.08mm Pin Spacing – Pluggable PCB Blocks

Pin Spacing: 5.08mm  
 Orientation: 45° Angle Header  
 Clamp Type: –  
 Design: Single Mold - Closed End



**PIPxx-5.08**

**ELECTRICAL**

	Current	Voltage	Wire Range
	12A	300V	–
	16A	450V	–

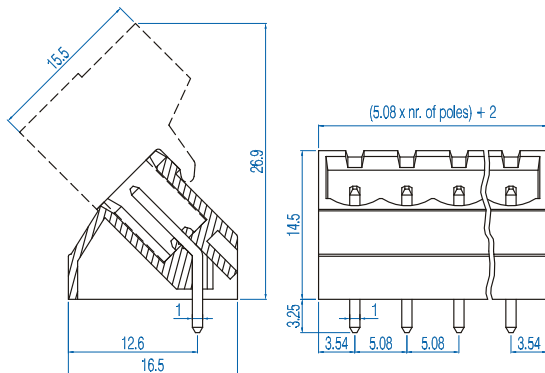
**INSTALLATION DATA**

Screw Size	–	PCB Hole Size	1.5mm
Torque	–	Stripping Lgth.	–

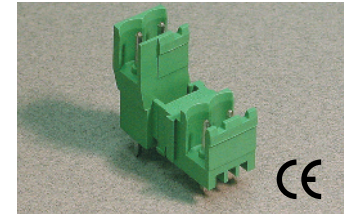
**MATERIAL**

Body	Polyamide	Screw	–
Flammability Class	UL94V-0	Terminal	Tin-Plated Brass
Temperature Limit	105°C UL 125°C IEC	Clamp	–
Color	Green		

No. Poles	Cat. #	Length (mm)	Std. Pk.
2	PIP02-5.08	12.2	100
3	PIP03-5.08	17.2	100
4	PIP04-5.08	22.3	50
5	PIP05-5.08	27.4	50
6	PIP06-5.08	32.5	50
7	PIP07-5.08	37.6	50
8	PIP08-5.08	42.6	50
9	PIP09-5.08	47.7	50
10	PIP10-5.08	52.8	50
11	PIP11-5.08	57.9	50
12	PIP12-5.08	63.0	50
13	PIP13-5.08	68.0	20
14	PIP14-5.08	73.1	20
15	PIP15-5.08	78.2	20
16	PIP16-5.08	83.3	20
17	PIP17-5.08	88.4	20
18	PIP18-5.08	93.4	20
19	PIP19-5.08	98.5	20
20	PIP20-5.08	103.6	20
21	PIP21-5.08	108.7	20
22	PIP22-5.08	113.8	20
23	PIP23-5.08	118.6	20
24	PIP24-5.08	123.9	20



Pin Spacing: 5.08mm  
 Orientation: Vertical -  
 Double Level Header  
 Clamp Type: –  
 Design: Modular - Open End



**PDSVxx-5.08**

**ELECTRICAL**

	Current	Voltage	Wire Range
	12A	300V	–
	16A	450V	–

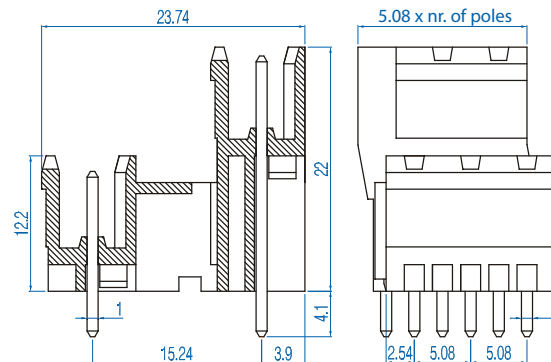
**INSTALLATION DATA**

Screw Size	–	PCB Hole Size	1.5mm
Torque	–	Stripping Lgth.	–

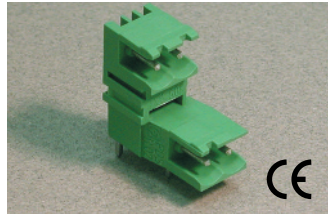
**MATERIAL**

Body	Polyamide	Screw	–
Flammability Class	UL94V-0	Terminal	Tin-Plated Brass
Temperature Limit	105°C UL 125°C IEC	Clamp	–
Color	Green		

No. Poles	Cat. #	Length (mm)	Std. Pk.
4	PDSV02-5.08	12.7	100
6	PDSV03-5.08	17.8	100
8	PDSV04-5.08	22.9	50
10	PDSV05-5.08	28.0	50
12	PDSV06-5.08	33.0	50
14	PDSV07-5.08	38.0	50
16	PDSV08-5.08	43.2	50
18	PDSV09-5.08	48.3	50
20	PDSV10-5.08	53.3	50
22	PDSV11-5.08	58.4	20
24	PDSV12-5.08	63.5	20
26	PDSV13-5.08	68.6	20
28	PDSV14-5.08	73.7	20
30	PDSV15-5.08	78.7	20
32	PDSV16-5.08	83.8	20
34	PDSV17-5.08	89.9	20
36	PDSV18-5.08	94.0	20
38	PDSV19-5.08	99.1	20
40	PDSV20-5.08	104.1	10
42	PDSV21-5.08	109.2	10
44	PDSV22-5.08	114.3	10
46	PDSV23-5.08	119.4	10
48	PDSV24-5.08	124.5	10





Pin Spacing: 5.08mm  
 Orientation: Horizontal - Double Level Header  
 Clamp Type: –  
 Design: Modular - Open End



**PDSHxx-5.08**

**ELECTRICAL**

	Current	Voltage	Wire Range
	12A	300V	–
	16A	450V	–

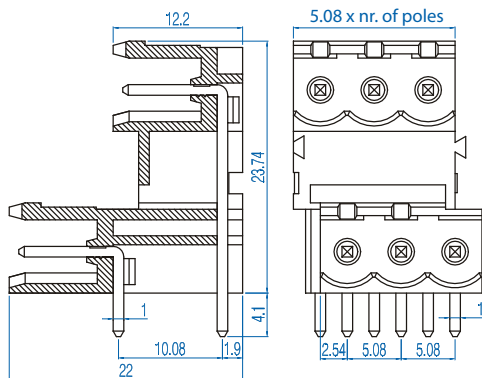
**INSTALLATION DATA**

Screw Size	–	PCB Hole Size	1.5mm
Torque	–	Stripping Lgth.	–

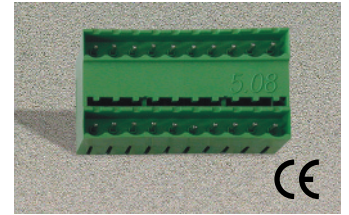
**MATERIAL**

Body	Polyamide	Screw	–
Flammability Class	UL94V-0	Terminal	Tin-Plated Brass
Temperature Limit	105°C UL 125°C IEC	Clamp	–
Color	Green		

No. Poles	Cat. #	Length (mm)	Std. Pk.
4	PDSH02-5.08	12.7	100
6	PDSH03-5.08	17.8	100
8	PDSH04-5.08	22.9	50
10	PDSH05-5.08	28.0	50
12	PDSH06-5.08	33.0	50
14	PDSH07-5.08	38.0	50
16	PDSH08-5.08	43.2	50
18	PDSH09-5.08	48.3	50
20	PDSH10-5.08	53.3	50
22	PDSH11-5.08	58.4	20
24	PDSH12-5.08	63.5	20
26	PDSH13-5.08	68.6	20
28	PDSH14-5.08	73.7	20
30	PDSH15-5.08	78.7	20
32	PDSH16-5.08	83.8	20
34	PDSH17-5.08	89.9	20
36	PDSH18-5.08	94.0	20
38	PDSH19-5.08	99.1	20
40	PDSH20-5.08	104.1	10
42	PDSH21-5.08	109.2	10
44	PDSH22-5.08	114.3	10
46	PDSH23-5.08	119.4	10
48	PDSH24-5.08	124.5	10




Pin Spacing: 5.08mm  
 Orientation: Dual Row Vertical Header  
 Clamp Type: –  
 Design: Single Mold



**PDVxx-5.08**

**ELECTRICAL**

	Current	Voltage	Wire Range
	12A	300V	–
	16A	450V	–

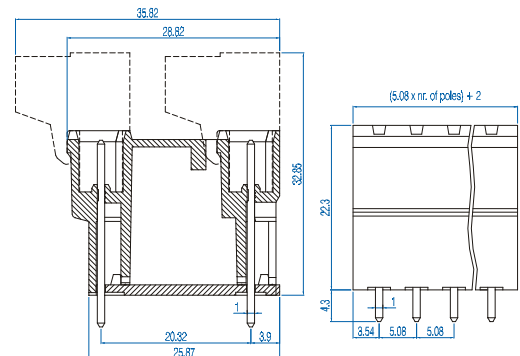
**INSTALLATION DATA**

Screw Size	–	PCB Hole Size	1.5mm
Torque	–	Stripping Lgth.	–

**MATERIAL**

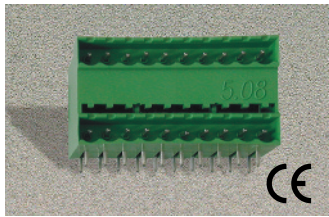
Body	Polyamide	Screw	–
Flammability Class	UL94V-0	Terminal	Tin-Plated Brass
Temperature Limit	105°C UL 125°C IEC	Clamp	–
Color	Green		

No. Poles	Cat. #	Length (mm)	Std. Pk.
2	PDV02-5.08	12.2	100
3	PDV03-5.08	17.2	100
4	PDV04-5.08	22.3	50
5	PDV05-5.08	27.4	50
6	PDV06-5.08	32.5	50
7	PDV07-5.08	37.6	50
8	PDV08-5.08	42.6	50
9	PDV09-5.08	47.7	50
10	PDV10-5.08	52.8	50
11	PDV11-5.08	57.9	50
12	PDV12-5.08	63.0	50



# 5.08mm Pin Spacing – Pluggable PCB Blocks

Pin Spacing: 5.08mm  
 Orientation: Dual Row  
 Horizontal Header  
 Clamp Type: –  
 Design: Single Mold



**PDHxx-5.08**

**ELECTRICAL**

	Current	Voltage	Wire Range
	12A	300V	–
	16A	450V	–

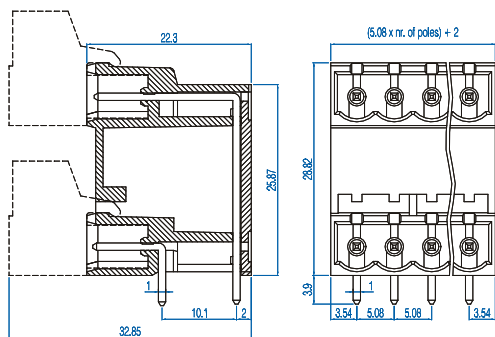
**INSTALLATION DATA**

Screw Size	–	PCB Hole Size	1.5mm
Torque	–	Stripping Lgth.	–

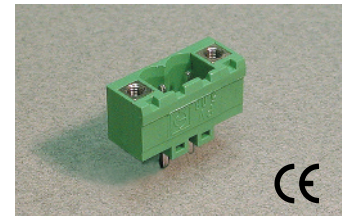
**MATERIAL**

Body	Polyamide	Screw	–
Flammability Class	UL94V-0	Terminal	Tin-Plated Brass
Temperature Limit	105°C UL 125°C IEC	Clamp	–
Color	Green		

No. Poles	Cat. #	Length (mm)	Std. Pk.
2	PDH02-5.08	12.2	100
3	PDH03-5.08	17.2	100
4	PDH04-5.08	22.3	50
5	PDH05-5.08	27.4	50
6	PDH06-5.08	32.5	50
7	PDH07-5.08	37.6	50
8	PDH08-5.08	42.6	50
9	PDH09-5.08	47.7	50
10	PDH10-5.08	52.8	50
11	PDH11-5.08	57.9	50
12	PDH12-5.08	63.0	50



Pin Spacing: 5.08mm  
 Orientation: Vertical Header with  
 Screw Flange  
 Clamp Type: –  
 Design: Single Mold



**PVxx-5.08-K**

**ELECTRICAL**

	Current	Voltage	Wire Range
	12A	300V	–
	16A	450V	–

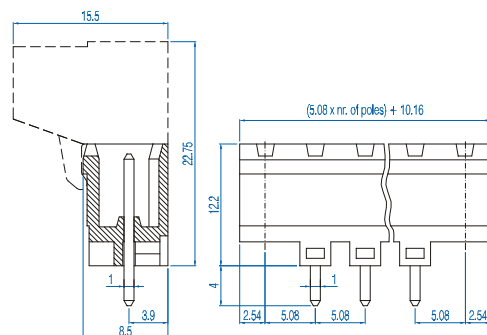
**INSTALLATION DATA**

Screw Size	–	PCB Hole Size	1.5mm
Torque	–	Stripping Lgth.	–

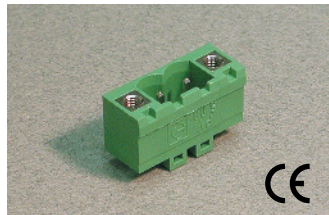
**MATERIAL**

Body	Polyamide	Screw	–
Flammability Class	UL94V-0	Terminal	Tin-Plated Brass
Temperature Limit	105°C UL 125°C IEC	Clamp	Nickeled Brass
Color	Green		

No. Poles	Cat. #	Length (mm)	Std. Pk.
2	PV02-5.08 - K	20.3	100
3	PV03-5.08 - K	25.4	100
4	PV04-5.08 - K	30.5	50
5	PV05-5.08 - K	35.6	50
6	PV06-5.08 - K	40.6	50
7	PV07-5.08 - K	45.7	50
8	PV08-5.08 - K	50.8	50
9	PV09-5.08 - K	55.9	50
10	PV10-5.08 - K	61.0	50
11	PV11-5.08 - K	66.0	50
12	PV12-5.08 - K	71.1	50
13	PV13-5.08 - K	76.2	20
14	PV14-5.08 - K	81.3	20
15	PV15-5.08 - K	86.4	20
16	PV16-5.08 - K	91.4	20
17	PV17-5.08 - K	96.5	20
18	PV18-5.08 - K	101.6	20
19	PV19-5.08 - K	106.7	20
20	PV20-5.08 - K	111.8	20
21	PV21-5.08 - K	116.6	20
22	PV22-5.08 - K	121.9	20



Pin Spacing: 5.08mm  
 Orientation: Horizontal Header with Screw Flange  
 Clamp Type: –  
 Design: Single Mold



**PHxx-5.08-K**

**ELECTRICAL**

	Current	Voltage	Wire Range
	12A	300V	–
	16A	450V	–

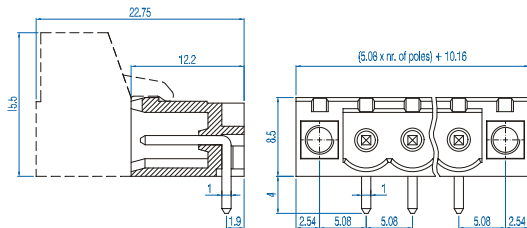
**INSTALLATION DATA**

Screw Size	–	PCB Hole Size	1.5mm
Torque	–	Stripping Lgth.	–

**MATERIAL**

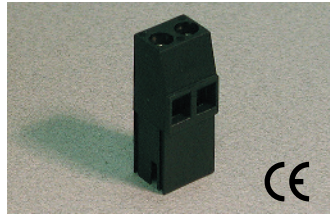
Body	Polyamide	Screw	–
Flammability Class	UL94V-0	Terminal	Tin-Plated Brass
Temperature Limit	105°C UL 125°C IEC	Clamp	Nickeled Brass
Color	Green		

No. Poles	Cat. #	Length (mm)	Std. Pk.
2	PH02-5.08 - K	20.3	100
3	PH03-5.08 - K	25.4	100
4	PH04-5.08 - K	30.5	50
5	PH05-5.08 - K	35.6	50
6	PH06-5.08 - K	40.6	50
7	PH07-5.08 - K	45.7	50
8	PH08-5.08 - K	50.8	50
9	PH09-5.08 - K	55.9	50
10	PH10-5.08 - K	61.0	50
11	PH11-5.08 - K	66.0	50
12	PH12-5.08 - K	71.1	50
13	PH13-5.08 - K	76.2	20
14	PH14-5.08 - K	81.3	20
15	PH15-5.08 - K	86.4	20
16	PH16-5.08 - K	91.4	20
17	PH17-5.08 - K	96.5	20
18	PH18-5.08 - K	101.6	20
19	PH19-5.08 - K	106.7	20
20	PH20-5.08 - K	111.8	20
21	PH21-5.08 - K	116.6	20
22	PH22-5.08 - K	121.9	20





## 6.35mm Pin Spacing – Pluggable PCB Blocks

Pin Spacing: 6.35mm  
 Orientation: Vertical Plug  
 Clamp Type: Screw Cage  
 Design: Modular -  
 Card Edge



### MVIxx

#### ELECTRICAL

	Current	Voltage	Wire Range
	20A <sup>①</sup>	300V	30-12AWG
	10A	500V	4.0mm <sup>2</sup> Stranded 6.0mm <sup>2</sup> Solid

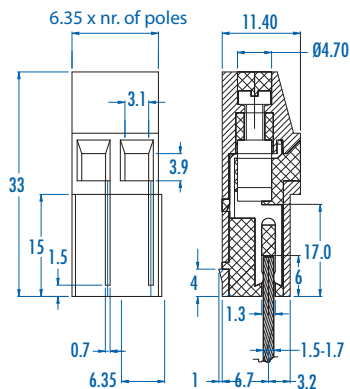
#### INSTALLATION DATA

<b>Screw Size</b>	M3	<b>PCB Thickness</b>	1.5-1.7mm
<b>Torque</b>	0.5Nm (4.5 lbf-in.)	<b>Stripping Lgth.</b>	9.8mm

#### MATERIAL

<b>Body</b>	Polyamide	<b>Screw</b>	Galvanized Steel
<b>Flammability Class</b>	UL94V-0	<b>Terminal</b>	Nickeled Brass
<b>Temperature Limit</b>	105°C UL 125°C IEC	<b>Clamp</b>	Nickeled Brass
<b>Color</b>	Black		

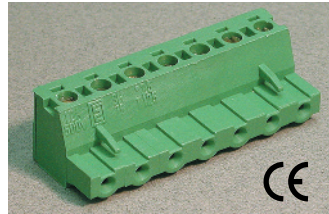
No. Poles	Cat. #	Length (mm)	Std. Pk.
2	MVI-2	12.7	100
3	MVI-3	19.0	100
4	MVI-4	25.4	50
5	MVI-5	31.8	50
6	MVI-6	38.1	50
7	MVI-7	44.5	50
8	MVI-8	50.8	50
9	MVI-9	57.2	50
10	MVI-10	63.5	50
11	MVI-11	69.9	50
12	MVI-12	76.2	50
13	MVI-13	82.6	20
14	MVI-14	88.9	20
15	MVI-15	95.3	20
16	MVI-16	101.6	20



<sup>①</sup> 25A Factory Wiring - UL



Pin Spacing: 7.50mm  
 Orientation: Horizontal Plug  
 Clamp Type: Screw Cage  
 Design: Single Mold



**SHxx-7.50**

**ELECTRICAL**

	Current	Voltage	Wire Range
	12A	300V	30-14AWG
	16A	750V	2.5mm <sup>2</sup> Stranded 4.0mm <sup>2</sup> Solid

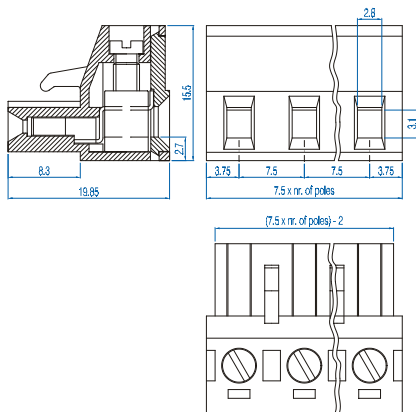
**INSTALLATION DATA**

<b>Screw Size</b>	M3	<b>PCB Hole Size</b>	–
<b>Torque</b>	0.5Nm (4.5 lbf-in.)	<b>Stripping Lgth.</b>	7.6mm

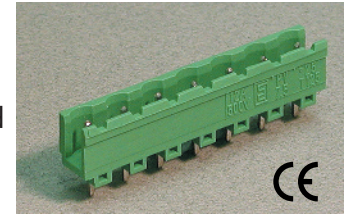
**MATERIAL**

<b>Body</b>	Polyamide	<b>Screw</b>	Galvanized Steel
<b>Flammability Class</b>	UL94V-0	<b>Terminal</b>	Nickeled Brass
<b>Temperature Limit</b>	105°C UL 125°C IEC	<b>Clamp</b>	Nickeled Brass
<b>Color</b>	Green		

No. Poles	Cat. #	Length (mm)	Std. Pk.
2	SH02-7.50	15.0	100
3	SH03-7.50	22.5	100
4	SH04-7.50	30.0	50
5	SH05-7.50	37.5	50
6	SH06-7.50	45.0	50
7	SH07-7.50	52.5	50
8	SH08-7.50	60.0	50
9	SH09-7.50	67.5	50
10	SH10-7.50	75.0	50
11	SH11-7.50	82.5	20
12	SH12-7.50	90.0	20
13	SH13-7.50	97.5	20
14	SH14-7.50	105.0	20
15	SH15-7.50	112.5	20
16	SH16-7.50	120.0	20



Pin Spacing: 7.50mm  
 Orientation: Vertical Header  
 Clamp Type: –  
 Design: Single Mold - Open End



**PVxx-7.50**

**ELECTRICAL**

	Current	Voltage	Wire Range
	12A	300V	–
	16A	750V	–

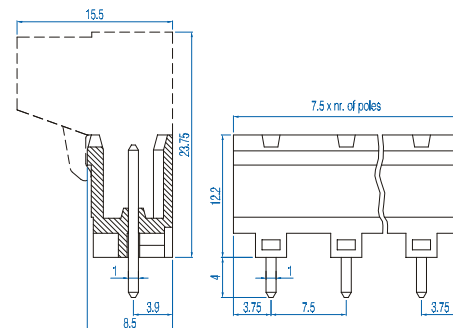
**INSTALLATION DATA**

<b>Screw Size</b>	–	<b>PCB Hole Size</b>	1.5mm
<b>Torque</b>	–	<b>Stripping Lgth.</b>	–

**MATERIAL**

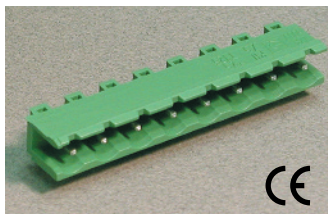
<b>Body</b>	Polyamide	<b>Screw</b>	–
<b>Flammability Class</b>	UL94V-0	<b>Terminal</b>	Tin-Plated Brass
<b>Temperature Limit</b>	105°C UL 125°C IEC	<b>Clamp</b>	–
<b>Color</b>	Green		

No. Poles	Cat. #	Length (mm)	Std. Pk.
2	PV02-7.50	15.0	100
3	PV03-7.50	22.5	100
4	PV04-7.50	30.0	50
5	PV05-7.50	37.5	50
6	PV06-7.50	45.0	50
7	PV07-7.50	52.5	50
8	PV08-7.50	60.0	50
9	PV09-7.50	67.5	50
10	PV10-7.50	75.0	50
11	PV11-7.50	82.5	20
12	PV12-7.50	90.0	20
13	PV13-7.50	97.5	20
14	PV14-7.50	105.0	20
15	PV15-7.50	112.5	20
16	PV16-7.50	120.0	20




# 7.50mm Pin Spacing – Pluggable PCB Blocks

Pin Spacing: 7.50mm  
 Orientation: Horizontal Header  
 Clamp Type: –  
 Design: Single Mold - Open End



**PHxx-7.50**

**ELECTRICAL**

	Current	Voltage	Wire Range
	12A	300V	–
	16A	750V	–

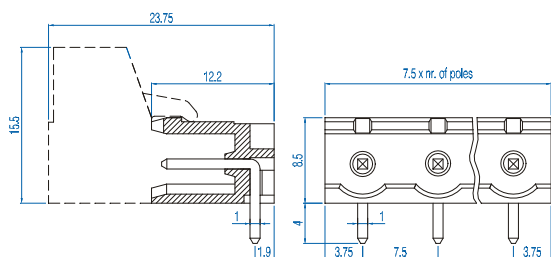
**INSTALLATION DATA**

Screw Size	–	PCB Hole Size	1.5mm
Torque	–	Stripping Lgth.	–

**MATERIAL**

Body	Polyamide	Screw	–
Flammability Class	UL94V-0	Terminal	Tin-Plated Brass
Temperature Limit	105°C UL 125°C IEC	Clamp	–
Color	Green		

No. Poles	Cat. #	Length (mm)	Std. Pk.
2	PH02-7.50	15.0	100
3	PH03-7.50	22.5	100
4	PH04-7.50	30.0	50
5	PH05-7.50	37.5	50
6	PH06-7.50	45.0	50
7	PH07-7.50	52.5	50
8	PH08-7.50	60.0	50
9	PH09-7.50	67.5	50
10	PH10-7.50	75.0	50
11	PH11-7.50	82.5	20
12	PH12-7.50	90.0	20
13	PH13-7.50	97.5	20
14	PH14-7.50	105.0	20
15	PH15-7.50	112.5	20
16	PH16-7.50	120.0	20





Pin Spacing: 7.50mm  
 Orientation: Vertical Header  
 Clamp Type: –  
 Design: Single Mold - Closed End



**PVPxx-7.50**

**ELECTRICAL**

	Current	Voltage	Wire Range
	12A	300V	–
	16A	750V	–

**INSTALLATION DATA**

Screw Size	–	PCB Hole Size	1.5mm
Torque	–	Stripping Lgth.	–

**MATERIAL**

Body	Polyamide	Screw	–
Flammability Class	UL94V-0	Terminal	Tin-Plated Brass
Temperature Limit	105°C UL 125°C IEC	Clamp	–
Color	Green		

No. Poles	Cat. #	Length (mm)	Std. Pk.
2	PVP02-7.50	17.0	100
3	PVP03-7.50	24.5	100
4	PVP04-7.50	32.0	50
5	PVP05-7.50	39.5	50
6	PVP06-7.50	47.0	50
7	PVP07-7.50	54.5	50
8	PVP08-7.50	62.0	50
9	PVP09-7.50	69.5	50
10	PVP10-7.50	77.0	50
11	PVP11-7.50	84.5	20
12	PVP12-7.50	92.0	20
13	PVP13-7.50	99.5	20
14	PVP14-7.50	107.0	20
15	PVP15-7.50	114.5	20
16	PVP16-7.50	122.0	20

