



Chipsmall Limited consists of a professional team with an average of over 10 year of expertise in the distribution of electronic components. Based in Hongkong, we have already established firm and mutual-benefit business relationships with customers from,Europe,America and south Asia,supplying obsolete and hard-to-find components to meet their specific needs.

With the principle of "Quality Parts,Customers Priority,Honest Operation,and Considerate Service",our business mainly focus on the distribution of electronic components. Line cards we deal with include Microchip,ALPS,ROHM,Xilinx,Pulse,ON,Everlight and Freescale. Main products comprise IC,Modules,Potentiometer,IC Socket,Relay,Connector.Our parts cover such applications as commercial,industrial, and automotives areas.

We are looking forward to setting up business relationship with you and hope to provide you with the best service and solution. Let us make a better world for our industry!



Contact us

Tel: +86-755-8981 8866 Fax: +86-755-8427 6832

Email & Skype: info@chipsmall.com Web: www.chipsmall.com

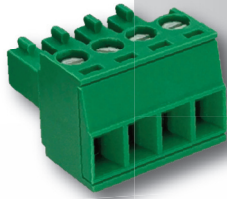
Address: A1208, Overseas Decoration Building, #122 Zhenhua RD., Futian, Shenzhen, China



PCB Plug-In Connectors

3.50 mm Pin Spacing

- Horizontal Plug
- 11A Current Rating

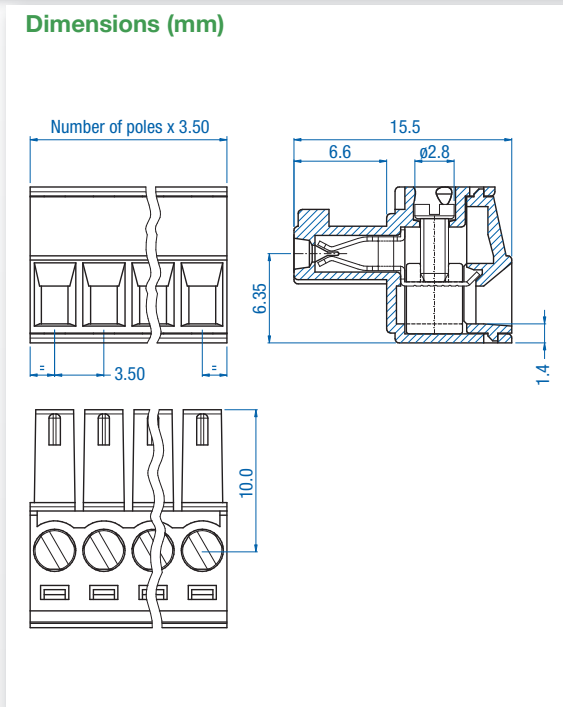


SHxx-3,50

Electrical Ratings		UL US E178356			IEC	VDE
Usergroup		B	C	D	-	-
Rated Voltage		300V	-	300V	160V	
Rated Current		11A	-	11A	8A	
Wire Size	<i>solid</i>	30-14AWG	-	30-14AWG	0.25mm ² -1.5mm ²	
	<i>stranded</i>	30-14AWG	-	30-14AWG	0.25mm ² -1.5mm ²	

Ordering Information (3.50 mm Spacing)

No. Poles	Order #	Length (mm)	Std. Pack
2	SH02-3,50	7.0	100
3	SH03-3,50	10.5	100
4	SH04-3,50	14.0	50
5	SH05-3,50	17.5	50
6	SH06-3,50	21.0	50
7	SH07-3,50	24.6	50
8	SH08-3,50	28.0	50
9	SH09-3,50	31.5	50
10	SH10-3,50	35.0	50
11	SH11-3,50	38.5	50
12	SH12-3,50	42.0	50
13	SH13-3,50	45.5	20
14	SH14-3,50	49.0	20
15	SH15-3,50	52.5	20
16	SH16-3,50	56.0	20
17	SH17-3,50	59.5	20
18	SH18-3,50	63.0	20
19	SH19-3,50	66.5	20
20	SH20-3,50	70.0	20
21	SH21-3,50	73.5	20
22	SH22-3,50	77.0	20
23	SH23-3,50	81.5	20
24	SH24-3,50	84.0	20



Material Specifications

Screws	Galvanized Steel
Clamp	Nickel Copper Alloy
Contact Spring	Nickel Copper Alloy
Insulating Material	Polyamide
Flammability Class	V0 UL94
Operating Temperature	-30°C - +105°C

Installation Data

Screw Size	M2
Torque	0.25Nm (2.3 lb.in.)
Stripping Length	max. 8mm
Clamp Opening	1.8 x 2.6 mm

Mating Headers

Single Row

PVPxx-3,50	PHPxx-3,50	PVxx-3,50	PHxx-3,50
------------	------------	-----------	-----------

Double Row

PDVxx-3,50-V-M	PDVxx-3,50-H-M
PDVxx-3,50-V-P	PDVxx-3,50-H-P