



Chipsmall Limited consists of a professional team with an average of over 10 year of expertise in the distribution of electronic components. Based in Hongkong, we have already established firm and mutual-benefit business relationships with customers from,Europe,America and south Asia,supplying obsolete and hard-to-find components to meet their specific needs.

With the principle of “Quality Parts,Customers Priority,Honest Operation,and Considerate Service”,our business mainly focus on the distribution of electronic components. Line cards we deal with include Microchip,ALPS,ROHM,Xilinx,Pulse,ON,Everlight and Freescale. Main products comprise IC,Modules,Potentiometer,IC Socket,Relay,Connector.Our parts cover such applications as commercial,industrial, and automotives areas.

We are looking forward to setting up business relationship with you and hope to provide you with the best service and solution. Let us make a better world for our industry!



Contact us

Tel: +86-755-8981 8866 Fax: +86-755-8427 6832

Email & Skype: info@chipsmall.com Web: www.chipsmall.com

Address: A1208, Overseas Decoration Building, #122 Zhenhua RD., Futian, Shenzhen, China



SH Series

Precision Metal-Clad Shunts

Precision metal clad resistors designed in four-terminal technique, are distinguished by high load capacity as well as excellent accuracy. Isolated voltage and current connections making them suitable for very precise current measurements. The simple four port Kelvin design ensures easy installation on large current bus bars. Units have a low inductance, heavy copper terminals. Applications include: battery testing, current detection in precise power sources, constant current sources, industrial power conversion circuits, HEVs, fuel cells and constant electronic loads.



CERTIFICATIONS

BN ES ISO 9001: 2008

ISO/TS 16949: 2009

SERIES SPECIFICATIONS

Series	Rated Current (A)	Rated Voltage (mV)	Resistance (mΩ)
SH2	100	100	1.0000
	150	100	0.6666
	200	100	0.5000
SH3	250	100	0.4000
	300	100	0.3333

CHARACTERISTICS

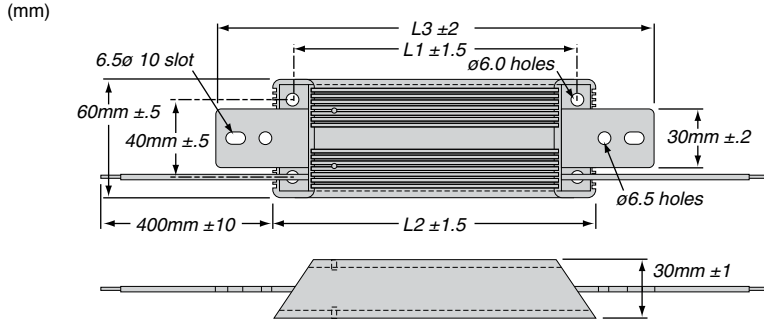
Test	Method	Maximum ΔR	Temp. Range	-55°C ~ +110°C
Short Time Overload	5x Power rating 5 sec.	±0.3%	Insulation Resist.	100MΩ min.
Moisture Resistance	40°C, 95% RH, DC100V case to terminal, 500 hours	±0.5%	Dielectric Withstanding Voltage	AC 500V for 1 minute
Thermal Shock	-65°C 30 minutes, +90°C 30 minutes 25 cycles	±0.2%	Temp. Coefficient	Max. 30ppm/°C [20°C and 60°C]
Vibration	10Hz-55Hz-10Hz (1min.), 2 hours each direction	±0.2%	Lead Wire	UL1331 AWG 16 with red insulation
Moisture Load Life	40°C, 95% RH, 0.1X Power rating 1.5 hours on, 30 minutes off, 500 hours	±0.5%		
Load Life	Power rating 1.5 hours on, 30 min. off, 500 hours	±0.5%		

(continued)

SH Series

Precision Metal-Clad Shunts

DIMENSIONS



Series	Current (A)	Mass (g)	L1 ±1.5	L2 ±2	L3 ±2
SH2	100	650	146	165	225
	150	650	146	165	225
	200	650	146	165	225
SH3	250	1100	196	215	275
	300	1100	196	215	275

ORDERING INFORMATION

RoHS Compliant

S H 2 - 2 0 0 R 0 0 0 5 D E

Series Size Current Resistance Tolerance
see table B = ±0.1%
D = ±0.5%

Standard part numbers

Part	Rated Current (A)	Rated Voltage (mV)	Resistance (mΩ)	Resistance Tolerance
SH2-100R0010DE	100	100	1.0000	0.5%
SH2-150R0006DE	150	100	0.6666	0.5%
SH2-200R0005DE	200	100	0.5000	0.5%
SH3-250R0004DE	250	100	0.4000	0.5%
SH3-300R0003DE	300	100	0.3333	0.5%