



Chipsmall Limited consists of a professional team with an average of over 10 year of expertise in the distribution of electronic components. Based in Hongkong, we have already established firm and mutual-benefit business relationships with customers from,Europe,America and south Asia,supplying obsolete and hard-to-find components to meet their specific needs.

With the principle of “Quality Parts,Customers Priority,Honest Operation,and Considerate Service”,our business mainly focus on the distribution of electronic components. Line cards we deal with include Microchip,ALPS,ROHM,Xilinx,Pulse,ON,Everlight and Freescale. Main products comprise IC,Modules,Potentiometer,IC Socket,Relay,Connector.Our parts cover such applications as commercial,industrial, and automotives areas.

We are looking forward to setting up business relationship with you and hope to provide you with the best service and solution. Let us make a better world for our industry!



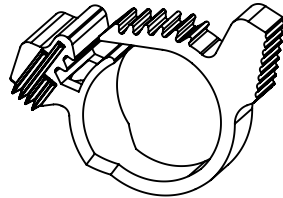
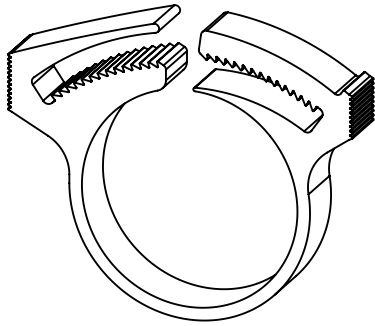
Contact us

Tel: +86-755-8981 8866 Fax: +86-755-8427 6832

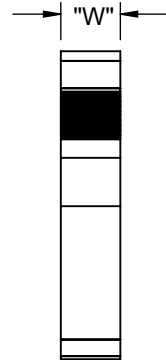
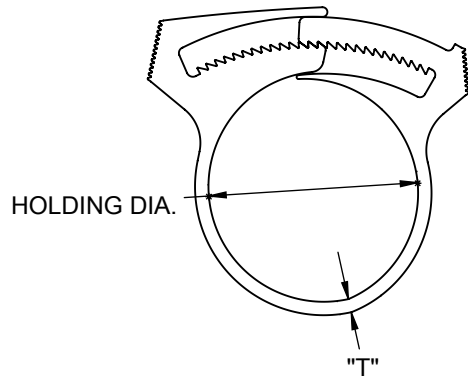
Email & Skype: info@chipsmall.com Web: www.chipsmall.com

Address: A1208, Overseas Decoration Building, #122 Zhenhua RD., Futian, Shenzhen, China





SHC-16GF*



PART NO.	HOLDING DIAMETER RANGE	THICKNESS "T"	WIDTH "W"
SHC-16GF*	1/4 - 5/16 [6.4-7.9]	.040 [1]	.13 [3.3]
SHC-23	23/64 - 25/64 [9.1-9.9]	.07 [1.8]	.22 [5.6]
SHC-26	25/64 - 15/32 [9.9-11.9]		
SHC-30	15/32 - 17/32 [11.9-13.5]		
SHC-32	17/32 - 19/32 [13.5-15.1]		
SHC-38	19/32 - 21/32 [15.1-16.7]		
SHC-44	11/16 - 13/16 [17.5-20.6]		
SHC-50	3/4 - 7/8 [19.1-22.2]		
SHC-56	7/8 - 1 [22.2-25.4]		
SHC-62	61/64 - 1 3/32 [24.2-27.8]		
SHC-68	1 1/32 - 1 3/16 [26.2-30.2]		
SHC-80	1 1/4 - 1 7/16 [31.8-36.5]		
SHC-92	1 13/32 - 1 5/8 [35.7-41.3]		
SHC-134	2 1/8 - 2 3/8 [54-60.3]	.40 [10.2]	

* ONLY AVAILABLE IN GLASS FILLED NYLON MATERIAL.

NOTES:

- MATERIAL: NYLON 6/6 UL94 HB (RMS-73).
GLASS FILLED NYLON (RMS-35), AVAILABLE BY SPECIAL ORDER.
- COLOR: WHITE
BLACK AVAILABLE BY SPECIAL ORDER.

<table border="1"> <tr> <td>H</td> <td>CORRECTED UL 94 RATING TO HB, SEE ECN # 1370</td> <td>DZ 07/31/2012</td> </tr> <tr> <td>G</td> <td>SEE CO 200718 FOR CHANGES</td> <td>SK 10/03/2011</td> </tr> <tr> <td>F</td> <td>SEE CO 200714 FOR CHANGES</td> <td>SK 09/27/2011</td> </tr> <tr> <td>E</td> <td>SEE CO 200707 FOR CHANGES</td> <td>SK 09/12/2011</td> </tr> <tr> <td>-</td> <td>SEE ENG FOR REV A TO D</td> <td>--</td> </tr> <tr> <td>REV.</td> <td>DESCRIPTION</td> <td>ENGR. DATE</td> </tr> </table>			H	CORRECTED UL 94 RATING TO HB, SEE ECN # 1370	DZ 07/31/2012	G	SEE CO 200718 FOR CHANGES	SK 10/03/2011	F	SEE CO 200714 FOR CHANGES	SK 09/27/2011	E	SEE CO 200707 FOR CHANGES	SK 09/12/2011	-	SEE ENG FOR REV A TO D	--	REV.	DESCRIPTION	ENGR. DATE	<table border="1"> <tr> <td colspan="4">TITLE: SNAP-IT HOSE CLAMPS</td> </tr> <tr> <td>FILE #: SHC</td> <td>DWN: SK</td> <td>APP: SK</td> <td>UNITS: IN [mm]</td> </tr> <tr> <td>SHEET: 1 OF 1</td> <td>SHEET SIZE: A</td> <td>DT: 09/09/11</td> <td>CHKD: MJB</td> </tr> <tr> <td>RE: RICHCO, INC.</td> <td colspan="2">RICHCO, INC.</td> <td>FINAL</td> </tr> <tr> <td colspan="2">--</td> <td>WWW.RICHCO-INC.COM</td> <td></td> </tr> </table>				TITLE: SNAP-IT HOSE CLAMPS				FILE #: SHC	DWN: SK	APP: SK	UNITS: IN [mm]	SHEET: 1 OF 1	SHEET SIZE: A	DT: 09/09/11	CHKD: MJB	RE: RICHCO, INC.	RICHCO, INC.		FINAL	--		WWW.RICHCO-INC.COM		<table border="1"> <tr> <td>PART #</td> <td>PRINT TYPE</td> </tr> <tr> <td>SEE TABLE</td> <td>CA</td> </tr> </table>		PART #	PRINT TYPE	SEE TABLE	CA
H	CORRECTED UL 94 RATING TO HB, SEE ECN # 1370	DZ 07/31/2012																																																
G	SEE CO 200718 FOR CHANGES	SK 10/03/2011																																																
F	SEE CO 200714 FOR CHANGES	SK 09/27/2011																																																
E	SEE CO 200707 FOR CHANGES	SK 09/12/2011																																																
-	SEE ENG FOR REV A TO D	--																																																
REV.	DESCRIPTION	ENGR. DATE																																																
TITLE: SNAP-IT HOSE CLAMPS																																																		
FILE #: SHC	DWN: SK	APP: SK	UNITS: IN [mm]																																															
SHEET: 1 OF 1	SHEET SIZE: A	DT: 09/09/11	CHKD: MJB																																															
RE: RICHCO, INC.	RICHCO, INC.		FINAL																																															
--		WWW.RICHCO-INC.COM																																																
PART #	PRINT TYPE																																																	
SEE TABLE	CA																																																	