



Chipsmall Limited consists of a professional team with an average of over 10 year of expertise in the distribution of electronic components. Based in Hongkong, we have already established firm and mutual-benefit business relationships with customers from,Europe,America and south Asia,supplying obsolete and hard-to-find components to meet their specific needs.

With the principle of “Quality Parts,Customers Priority,Honest Operation,and Considerate Service”,our business mainly focus on the distribution of electronic components. Line cards we deal with include Microchip,ALPS,ROHM,Xilinx,Pulse,ON,Everlight and Freescale. Main products comprise IC,Modules,Potentiometer,IC Socket,Relay,Connector.Our parts cover such applications as commercial,industrial, and automotives areas.

We are looking forward to setting up business relationship with you and hope to provide you with the best service and solution. Let us make a better world for our industry!



Contact us

Tel: +86-755-8981 8866 Fax: +86-755-8427 6832

Email & Skype: info@chipsmall.com Web: www.chipsmall.com

Address: A1208, Overseas Decoration Building, #122 Zhenhua RD., Futian, Shenzhen, China



Super High Efficiency Transformers

High Reliability with Clean Efficient Power Transfer for Optimal Performance



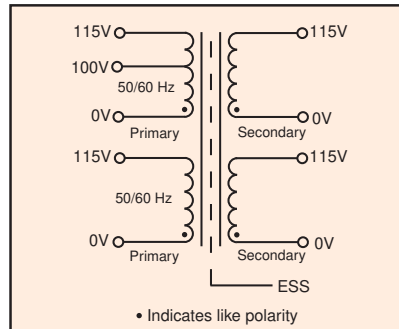
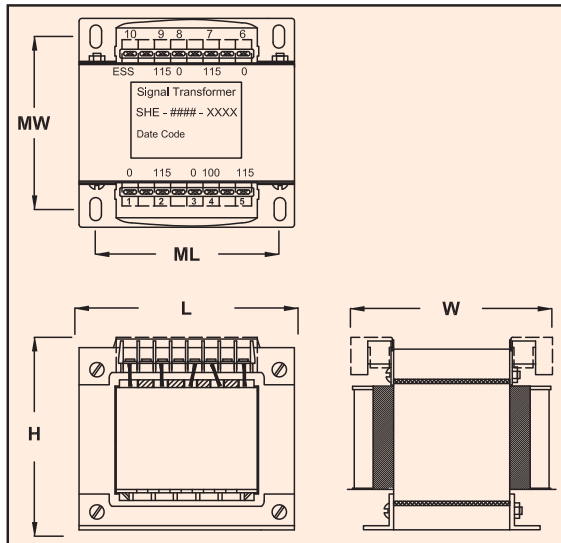
The **SHE** series of Super High Efficiency transformers are specifically designed to reduce power operational costs. By utilizing optimal quality core and conductor materials, SHE transformers achieve superior ratings which address the overall trend to go "green" with cleaner, more efficient use of power.

General Specifications

- Power - 250 VA to 2500 VA
- Dielectric Strength - 4000 Vrms Hipot
- Input - Dual / tapped windings
 - Parallel connection 100 V, 115 V 50/60Hz
 - Series connection 215 V, 230 V 50/60Hz
- Output - Dual windings
 - Parallel connection 115 V
 - Series connection 230 V
- Regulation 2.5% maximum
- Efficiency 97.5% minimum
- Temperature rise 60° C maximum
- Electrostatic Shield - Solid copper full width foil
- Touch-Safe terminals (IP20 type) offer a screw/binding clamp for hard wiring and a 3/16" & 1/4" Fast-On connection.
- Leakage Current @ <50 micro Amps
- Insulation System - Class H, 180° C
- Clean power with distortion free output

Agency Certifications

- UL 1446, File # E66312
- Compliant with the following domestic and international standards:
 - UL506 / UL5085
 - CSA C22.2, No. 66.2-06
 - VDE 0805 and VDE 0550
 - IEC / EN61558



| Part Number | VA | Secondary RMS Rating | |
|-------------|------|----------------------|--------------|
| | | Series | Parallel |
| SHE-250 | 250 | 230V @ 1.1A | 115V @ 2.2A |
| SHE-500 | 500 | 230V @ 2.2A | 115V @ 4.4A |
| SHE-750 | 750 | 230V @ 3.3A | 115V @ 6.6A |
| SHE-1000 | 1000 | 230V @ 4.3A | 115V @ 8.7A |
| SHE-1500 | 1500 | 230V @ 6.5A | 115V @ 13.0A |
| SHE-2000 | 2000 | 230V @ 8.7A | 115V @ 17.4 |
| SHE-2500 | 2500 | 230V @ 10.9A | 115V @ 21.8A |

| Part Number | VA | Mechanical Dimensions | | | | | Weight |
|-------------|------|-----------------------|-----------------|-----------------|-----------------|-----------------|------------------|
| | | L | W | H | ML | MW | |
| | | Inches (mm) | | | | | |
| SHE-250 | 250 | 5.40 (137.2) | 4.00 (101.6) | 4.75 (120.7) | 4.50 (114.3) | 2.88 (73.2) | 11.75 (5.33) |
| SHE-500 | 500 | 5.40 (137.2) | 5.00 (127.0) | 4.75 (120.7) | 4.50 (114.3) | 3.88 (98.6) | 17.56 (7.97) |
| SHE-750 | 750 | 5.40 (137.2) | 6.00 (152.4) | 4.75 (120.7) | 4.50 (114.3) | 4.88 (124.0) | 22.62 (10.26) |
| SHE-1000 | 1000 | 7.70 (195.6) | 5.50 (139.7) | 6.63 (168.4) | 5.75 (146.1) | 4.38 (111.3) | 34.80 (15.79) |
| SHE-1500 | 1500 | 7.70 (195.6) | 6.00 (152.4) | 6.63 (168.4) | 5.75 (146.1) | 4.75 (120.7) | 41.50 (18.82) |
| SHE-2000 | 2000 | 7.70 (195.6) | 6.50 (165.1) | 6.63 (168.4) | 5.75 (146.1) | 5.25 (133.4) | 48.02 (21.78) |
| SHE-2500 | 2500 | 7.70 (195.6) | 7.00 (177.8) | 6.63 (168.4) | 5.75 (146.1) | 5.75 (146.1) | 56.54 (25.65) |

Custom versions available upon request.

©2015 Signal Transformer Inc. Specifications subject to change without notice. 07.15



www.signaltransformer.com

500 Bayview Avenue, Inwood, NY 11096
 Toll Free 866-239-5777 • Tel 516-239-5777 • Fax 516-239-7208
 sales@signaltransformer.com • techhelp@signaltransformer.com