



Chipsmall Limited consists of a professional team with an average of over 10 year of expertise in the distribution of electronic components. Based in Hongkong, we have already established firm and mutual-benefit business relationships with customers from,Europe,America and south Asia,supplying obsolete and hard-to-find components to meet their specific needs.

With the principle of “Quality Parts,Customers Priority,Honest Operation,and Considerate Service”,our business mainly focus on the distribution of electronic components. Line cards we deal with include Microchip,ALPS,ROHM,Xilinx,Pulse,ON,Everlight and Freescale. Main products comprise IC,Modules,Potentiometer,IC Socket,Relay,Connector.Our parts cover such applications as commercial,industrial, and automotives areas.

We are looking forward to setting up business relationship with you and hope to provide you with the best service and solution. Let us make a better world for our industry!



Contact us

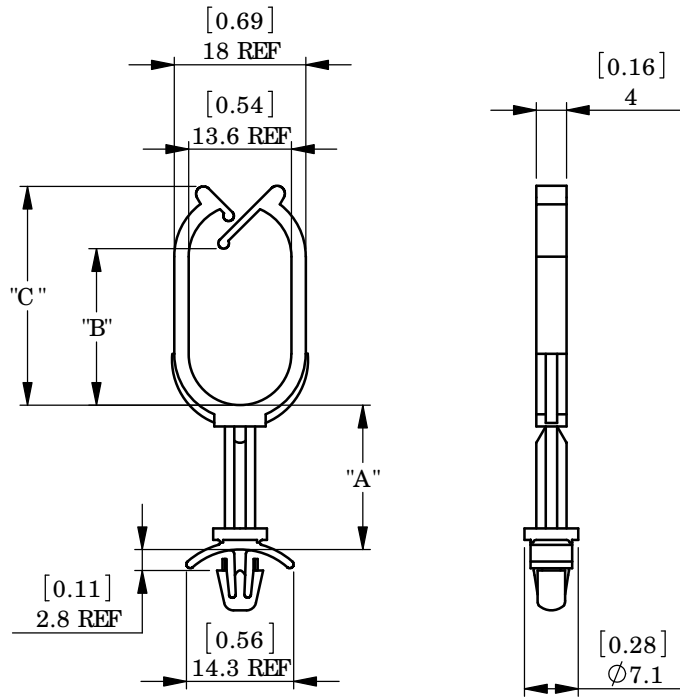
Tel: +86-755-8981 8866 Fax: +86-755-8427 6832

Email & Skype: info@chipsmall.com Web: www.chipsmall.com

Address: A1208, Overseas Decoration Building, #122 Zhenhua RD., Futian, Shenzhen, China



REV.	MODIFICATION.	DATE	DRN
03	CO2010411	26/09/08	SF
04	CO2010741	23/07/09	OW
05	CO2011103	25/02/11	SF



BO TTOM FIX TO SNAP LOCK INTO A Ø4.8[0.53] ±0.08[0.003] HO LE,
INTO A 0.76 - 2.0[0.03 - 0.08] THICK PANEL

NO TES:

- 1) PARTS AVAILABLE IN NYLON 46 HEAT STABILISED UL94 V-2 (RMS-109) BY SPEC IAL ORDER, REPLAC E-01 WITH -109 AT END OF PART NUMBER.
- 2) PARTS AVAILABLE IN NYLON 6/6 HEAT STABILISED UL94 V-2 (RMS-47) BY SPEC IAL ORDER, REPLAC E-01 WITH -47 AT END OF PART NUMBER.

MATERIAL: NYLON 6/6 UL94 V-2 (RMS-01) COLO UR: NATURAL			
PARTNUMBER	"A" ±0.4	"B" REF	"C" REF
SHK-6-01	9.5[0.06]	13.6[0.54]	19.5[0.77]
SHK-8-01	12.7[0.50]		
SHK-12-01	19.1[0.75]		
SHK-16-01	25.4[1]		
SHK-20-01	31.8[1.25]		
SHKE-6-01	9.5[0.06]	20.6[0.81]	29[1.14]
SHKE-8-01	12.7[0.50]		
SHKE-12-01	19.1[0.75]		
SHKE-16-01	25.4[1]		
SHKE-20-01	31.8[1.25]		
NYLON 6/6 UL94-V0(RMS-19) MATERIAL AVAILABLE BY SPEC IAL ORDER. REPLAC E "-01" WITH "-19" TO ORDER			

<i>INFORMATION CONTAINED IN THIS DOCUMENT IS CONFIDENTIAL TO RICHCO INTERNATIONAL Co. Ltd. AND MAY NOT BE DISCLOSED OR REPRODUCED IN WHOLE OR PART WITHOUT THEIR WRITTEN CONSENT.</i>			
RICHCO, INC. WWW.RICHCO-INC.COM		ALL DIMENSIONS IN mm [inches] GENERAL TOLERANCES ±0.25 1 DECIMAL PLACE ± 2 DECIMAL PLACES ± ANGULAR ±1°	THIRD ANGLE
MATERIAL: SEE TABLE & NOTES		COLOUR: SEE NOTES	
DESCRIPTION: STAND-OFF HARNESS CLIP		PART No : SEE TABLE	
DRG No : 676-8001		PROJECT NUMBER: N/A	Mass:(g) N/A
			SHEET SIZE A4
DRN SF	DATE 26/09/08	CHKD TC	DATE 26/09/08
		SCALE NTS	SHEET No. 1 OF 1