



Chipsmall Limited consists of a professional team with an average of over 10 year of expertise in the distribution of electronic components. Based in Hongkong, we have already established firm and mutual-benefit business relationships with customers from,Europe,America and south Asia,supplying obsolete and hard-to-find components to meet their specific needs.

With the principle of "Quality Parts,Customers Priority,Honest Operation,and Considerate Service",our business mainly focus on the distribution of electronic components. Line cards we deal with include Microchip,ALPS,ROHM,Xilinx,Pulse,ON,Everlight and Freescale. Main products comprise IC,Modules,Potentiometer,IC Socket,Relay,Connector.Our parts cover such applications as commercial,industrial, and automotives areas.

We are looking forward to setting up business relationship with you and hope to provide you with the best service and solution. Let us make a better world for our industry!



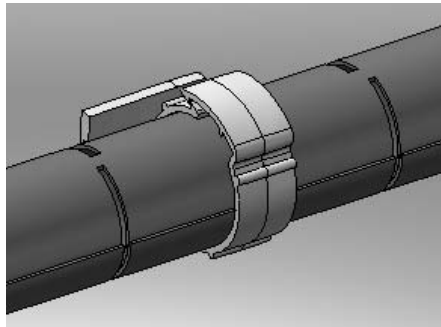
Contact us

Tel: +86-755-8981 8866 Fax: +86-755-8427 6832

Email & Skype: info@chipsmall.com Web: www.chipsmall.com

Address: A1208, Overseas Decoration Building, #122 Zhenhua RD., Futian, Shenzhen, China





SHR-C 1

SHR-C 2/SHR-C 3

SHR-C 4

TO HOLD SHR-20 & SHR-25
SLIT HARNESS WRAP

RECOMMENDED ORIENTATION OF CLIP
WHEN MOUNTED HORIZONTALLY

REV	MODIFICATION	DATE	DRN
01	SALES DRAWING	31/05/07	IC
02	ECN07-179	08/10/07	IC
03	C.O. 2010075	28/02/08	IC
04	C.O. 2010214	08/05/08	SF
05	C.O. 2010227	13/05/08	SF
06	C.O. 2010266	25/06/08	IC
07	C.O. 2010427	07/10/08	SF

NO TES:

- PARTS AVAILABLE IN SILVER AND WHITE BY SPECIAL ORDER.

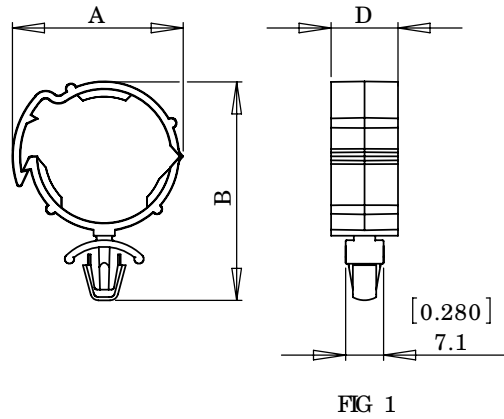


FIG 1

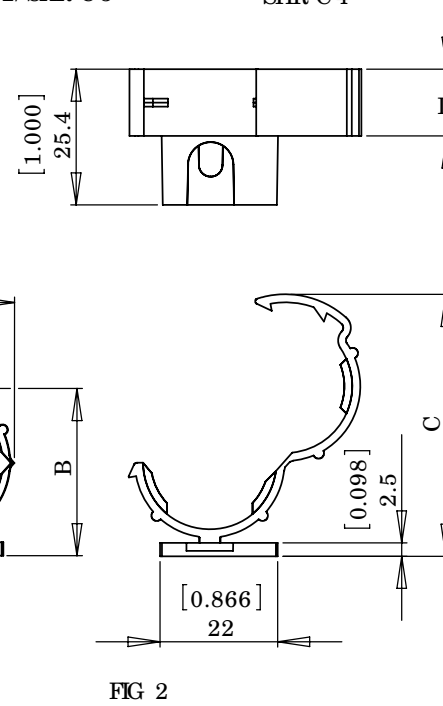
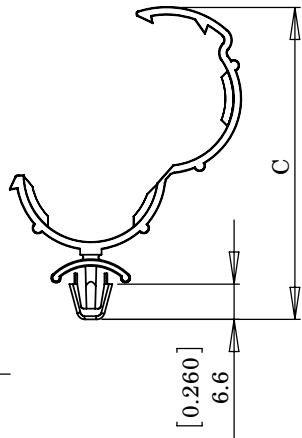


FIG 2

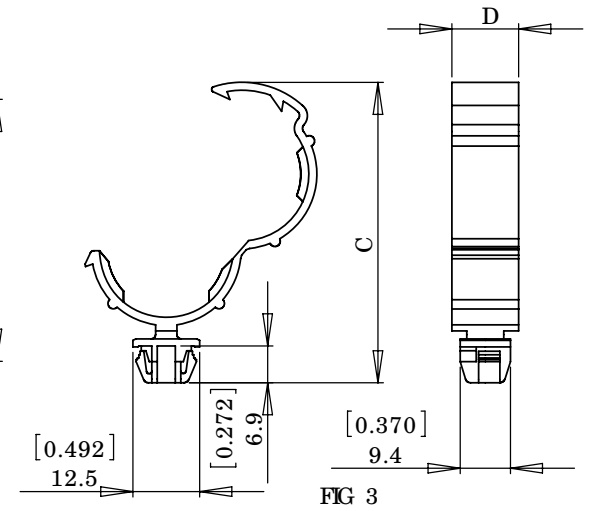


FIG 3

PARTNo.	A	B	C	D	MOUNTING	COLOUR	FIG
SHR-C 1	29 REF [1.14]	42.5 REF [1.67]	58 REF [2.28]	12.5 [0.49]	SNAP LOCK INTO A $\phi 6.4 \pm 0.05$ HOLE [0.252 ± 0.002] PANEL THICKNESS 0.8 - 2mm [0.031 - 0.079]	BLACK	1
SHR-C 2	30 REF [1.18]	32.5 REF [1.28]	47 REF [1.85]	12.5 [0.49]	MOUNT WITH # 8 OR M4 SCREW	BLACK	2
SHR-C 3	30 REF [1.18]	32.5 REF [1.28]	47 REF [1.85]	12.5 [0.49]	0.8 THICK DOUBLE SIDED TAPE (RMS-375)	BLACK	
SHR-C 4	30 REF [1.18]	40.5 REF [1.63]	56 REF [2.21]	12.5 [0.49]	SNAP LOCK INTO A 9.5 ± 0.8 SQUARE HOLE PANEL THICKNESS 0.8 - 2mm [0.031 - 0.079]	BLACK	3

INFORMATION CONTAINED IN THIS DOCUMENT IS CONFIDENTIAL TO RICHCO INTERNATIONAL Co., Ltd. AND MAY NOT BE DISCLOSED OR REPRODUCED IN WHOLE OR PART WITHOUT THEIR WRITTEN CONSENT.

	ALL DIMENSIONS ARE IN mm GENERAL TOLERANCES ± 0.25 1 DECIMAL PLACE \pm 2 DECIMAL PLACES \pm ANGULAR $\pm 1^\circ$	THIRD ANGLE

MATERIAL: NYLON 6/6 UL94 V-2 (RMS-01)	COLOUR: SEE TABLE
--	----------------------

DESCRIPTION: SLIT HARNESS WRAP CLIP	PARTNo.: SEE TABLE
--	-----------------------

DRG No: 2007-046	NPR No: 2006-199	MASS: 3.5g	SHEET SIZE: A3
---------------------	---------------------	---------------	-------------------

DRN IC	DATE 11/06/07	CHKD SF	DATE 27/09/07	SCALE 1:1	SHEET No. 1 OF 1
-----------	------------------	------------	------------------	--------------	---------------------