



Chipsmall Limited consists of a professional team with an average of over 10 year of expertise in the distribution of electronic components. Based in Hongkong, we have already established firm and mutual-benefit business relationships with customers from,Europe,America and south Asia,supplying obsolete and hard-to-find components to meet their specific needs.

With the principle of "Quality Parts,Customers Priority,Honest Operation,and Considerate Service",our business mainly focus on the distribution of electronic components. Line cards we deal with include Microchip,ALPS,ROHM,Xilinx,Pulse,ON,Everlight and Freescale. Main products comprise IC,Modules,Potentiometer,IC Socket,Relay,Connector.Our parts cover such applications as commercial,industrial, and automotives areas.

We are looking forward to setting up business relationship with you and hope to provide you with the best service and solution. Let us make a better world for our industry!



Contact us

Tel: +86-755-8981 8866 Fax: +86-755-8427 6832

Email & Skype: info@chipsmall.com Web: www.chipsmall.com

Address: A1208, Overseas Decoration Building, #122 Zhenhua RD., Futian, Shenzhen, China





VRLA Rechargeable Battery

SHR3.6-12



Measures Technology Values Innovation

FEATURES

- Maintenance free(no water topping-up required)
- No free acid(Non-spillable battery)
- Can be used in any orientation(excluding used inverted)
- The battery is designed for high rate usage
- Absorbent Glass Mat technology for efficient gas recombination
- The power density at 2 min~15min discharging
- rate is 50% higher than BP series

APPLICATION

- UPS
- Fishing Lights
- Power Packs
- Laboratory Equipment
- Fishing Lights Booster
- Toy-Cars



SPECIFICATIONS

Nominal Voltage	12 V
Nominal Capacity	15 Min Rate (13W, 1.60V/Cell)
Approx. Weight	930g(2.05lbs.)
Terminals	T2 (Faston Tab 250)
Internal Resistance	≤27mΩ (Fully Charged)
Max. Discharge Current	45 A (5 sec.)
Max. Charge Current	1.0 A
Operating Temperature Range	Charge : 0°C~40°C(32°F~104°F) Discharge : -20°C~50°C(-4°F~122°F) Storage : -20°C~40°C(-4°F~104°F)
Container Material	Standard: ABS(UL 94-HB) SHR3.6-12 Optional: Flame Retardant ABS(UL 94-V0) SHR3.6-12FR

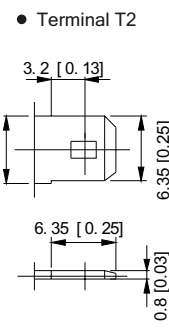
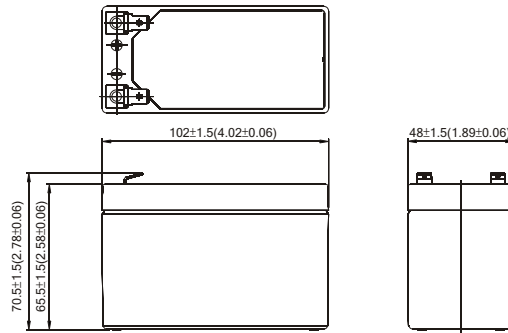
USF ISO9001	UL MH19884
USF ISO14001	CE CAM20310-2474-E-16
USF OHSMS	
<ul style="list-style-type: none"> ● IEC 61056-1 ● JIS C 8702-1 ● GB/T 19639.1 	

DIMENSION(mm/inch)

OUTER DIMENSIONS

TERMINAL TYPE

- **Length**
102±1.5 (4.02±0.06)
- **Width**
48±1.5 (1.89±0.06)
- **Container Height**
65.5±1.5 (2.58±0.06)
- **Total Height**
70.5±2.0 (2.78±0.08)



Constant power discharge characteristics at 25 °C/77 °F Unit: W

F.V. (V/cell)	Discharge Time	2 Min	3 Min	5 Min	10 Min	15 Min	20 Min	30 Min	40 Min	50 Min	60 Min	120 Min
1.80V		249	210	158	101	75	61	45	34	30	26	14
1.75V		267	225	170	107	77	63	46	35	31	27	14
1.70V		280	236	176	108	78	64	47	36	31	27	14
1.67V		286	243	180	109	78	64	47	36	31	27	15
1.60V		292	250	185	110	78	64	47	37	31	27	15
1.50V		298	255	186	110	78	64	47	37	31	27	15

Constant current discharge characteristics at 25 °C/77 °F Unit: A

F.V. (V/cell)	Discharge Time	2 Min	3 Min	5 Min	10 Min	15 Min	20 Min	30 Min	40 Min	50 Min	60 Min	120 Min
1.80V		22.9	19.3	14.2	8.8	6.5	5.2	3.8	3.0	2.5	2.2	1.2
1.75V		24.6	20.8	15.3	9.4	6.7	5.4	3.9	3.1	2.6	2.3	1.2
1.70V		26.0	21.8	15.9	9.6	6.8	5.5	4.0	3.1	2.6	2.3	1.2
1.67V		26.5	22.5	16.6	9.7	6.8	5.5	4.0	3.1	2.6	2.3	1.2
1.60V		27.1	23.1	17.2	9.8	6.8	5.5	4.0	3.1	2.6	2.3	1.2
1.50V		27.7	23.6	17.4	9.8	6.8	5.5	4.0	3.1	2.6	2.3	1.2

All data and artworks shall be changed without prior notice, BB reserves the right to explain and update the information contained hereinto.

For operation, please refer to the instruction from technical manual.

A/0 REV. Apr. 2014

Powered by **B.B. Battery Co., Ltd.**