



Chipsmall Limited consists of a professional team with an average of over 10 year of expertise in the distribution of electronic components. Based in Hongkong, we have already established firm and mutual-benefit business relationships with customers from,Europe,America and south Asia,supplying obsolete and hard-to-find components to meet their specific needs.

With the principle of "Quality Parts,Customers Priority,Honest Operation,and Considerate Service",our business mainly focus on the distribution of electronic components. Line cards we deal with include Microchip,ALPS,ROHM,Xilinx,Pulse,ON,Everlight and Freescale. Main products comprise IC,Modules,Potentiometer,IC Socket,Relay,Connector.Our parts cover such applications as commercial,industrial, and automotives areas.

We are looking forward to setting up business relationship with you and hope to provide you with the best service and solution. Let us make a better world for our industry!



Contact us

Tel: +86-755-8981 8866 Fax: +86-755-8427 6832

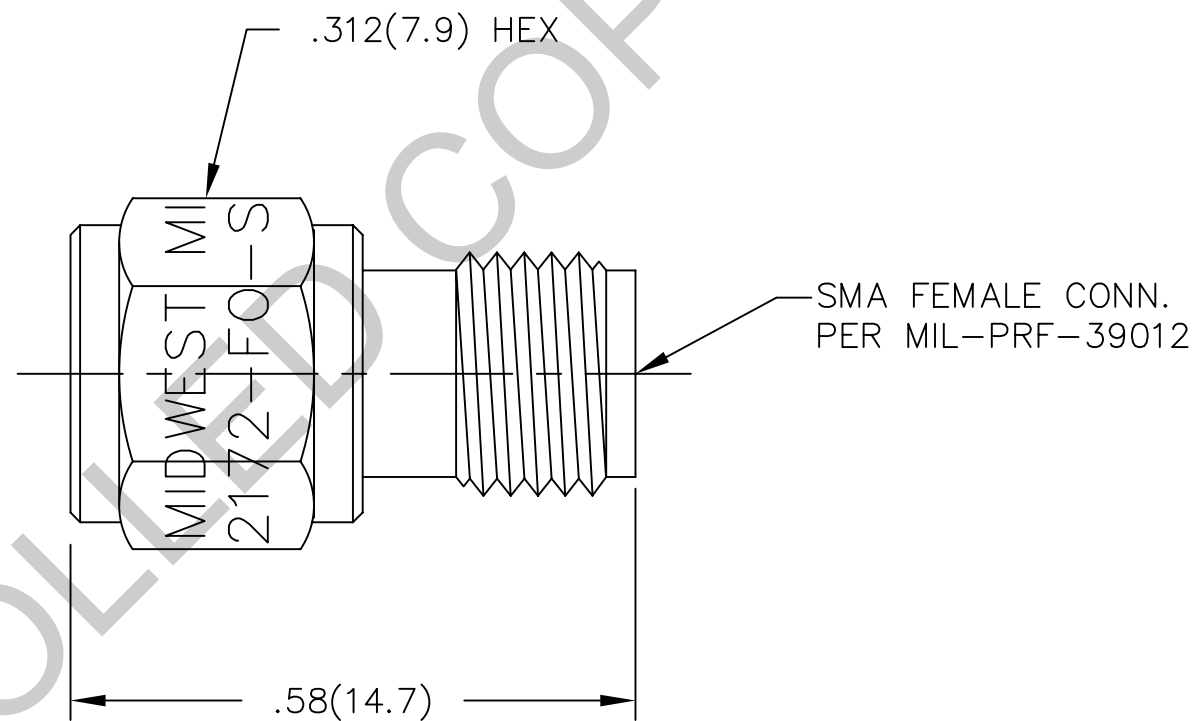
Email & Skype: info@chipsmall.com Web: www.chipsmall.com

Address: A1208, Overseas Decoration Building, #122 Zhenhua RD., Futian, Shenzhen, China



NOTES:

- 1.0 MATERIAL:
 - 1.1 HOUSING AND COUPLING NUT: STAINLESS STEEL PER QQ-S-764 AND ASTM-A-582, TYPE 303.
- 2.0 FINISH:
 - 2.1 HOUSING AND COUPLING NUT: PASSIVATED PER QQ-P-35 AND MIL-F-14072.
- 3.0 DIMENSIONS IN PARENTHESIS ARE MILLIMETERS.
- 4.0 MARK UNIT AS SHOWN.
(REF: INK-09154-27-07)



UNCONTROLLED COPY

REV.	DESCRIPTION	DATE
-	RELEASED	10/25/93
A	ECN 13122	11/19/93
A1	ADDED TITLEBLOCK	7/21/05

UNLESS OTHERWISE NOTED DIMENSIONS ARE IN INCHES AND TOLERANCES ARE: 3 PLACE DECIMALS ±.005 2 PLACE DECIMALS ±.02 FRACTIONS ±1/64 PARALLELITY: T.I.R. _____ FLATNESS: T.I.R. _____ CONCENTRICITY: T.I.R. _____ ANGLES AND PERPENDICULARITY: ±1°	FSCM NO.	34078 <i>MIDWEST MICROWAVE</i>		
	NOTICE: The information contained in this drawing is proprietary and must not be used without the permission of Midwest Microwave		TITLE SMA JACK SHORT CIRCUIT	
	DRAWN/DATE A.BEATTY 10/22/93	ENG./DATE G.KOZAK 10/25/93	DRAWING NUMBER SHT-2172-FO-SMA-02	
	CHECKED/DATE M.HOLLMAN 10/25/93	APPROVED/DATE	SCALE: 5=1	SHEET 1 of 1