



Chipsmall Limited consists of a professional team with an average of over 10 year of expertise in the distribution of electronic components. Based in Hongkong, we have already established firm and mutual-benefit business relationships with customers from,Europe,America and south Asia,supplying obsolete and hard-to-find components to meet their specific needs.

With the principle of “Quality Parts,Customers Priority,Honest Operation,and Considerate Service”,our business mainly focus on the distribution of electronic components. Line cards we deal with include Microchip,ALPS,ROHM,Xilinx,Pulse,ON,Everlight and Freescale. Main products comprise IC,Modules,Potentiometer,IC Socket,Relay,Connector.Our parts cover such applications as commercial,industrial, and automotives areas.

We are looking forward to setting up business relationship with you and hope to provide you with the best service and solution. Let us make a better world for our industry!



Contact us

Tel: +86-755-8981 8866 Fax: +86-755-8427 6832

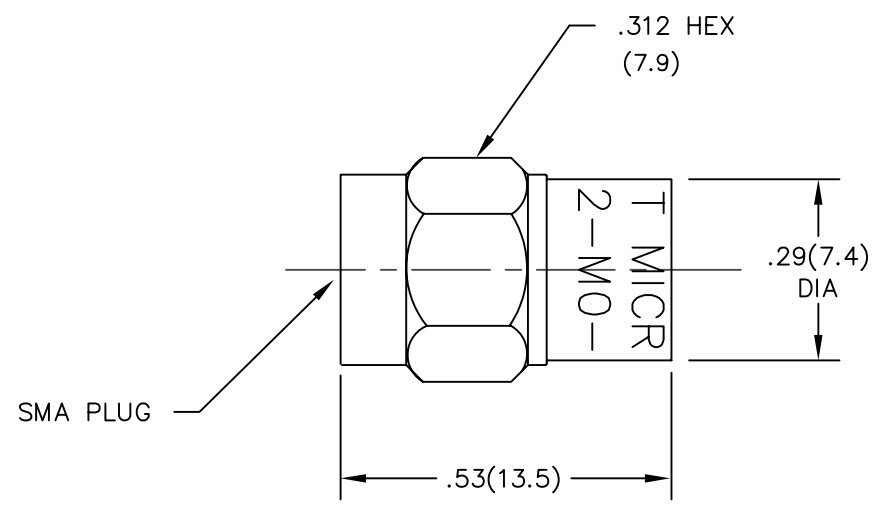
Email & Skype: info@chipsmall.com Web: www.chipsmall.com

Address: A1208, Overseas Decoration Building, #122 Zhenhua RD., Futian, Shenzhen, China



NOTES:

- 1.0 MATERIAL:
 - 1.1 HOUSING AND COUPLING NUT: STAINLESS STEEL PER QQ-S-764 AND ASTM-A582, TYPE 303.
 - 1.2 CENTER CONTACT: BERYLLIUM COPPER ROD ALLOY C172 PER ASTM-B196.
 - 1.3 BUSHING: HALF HARD BRASS PER ASTM B16
- 2.0 FINISH:
 - 2.1 HOUSING AND COUPLING NUT: PASSIVATED PER SAE AMS QQ-P-35 AND MIL-F-14072.
 - 2.2 CENTER CONTACT AND BUSHING: GOLD PER MIL-PRF-39012.
- 3.0 DIMENSIONS IN PARENTHESIS ARE MILLIMETERS.
- 4.0 MARK UNIT AS SHOWN.
(REF: INK-09154-27-02)



REV.	DESCRIPTION	DATE
-	RELEASED	3/3/92
A	ECN 12113	9/21/92
B	ECN 13044	10/27/93
B1	ADDED TITLEBLOCK	7/21/05
C	ECN 20673	1/27/06

NOTICE: The information contained in this drawing is proprietary and must not be used without the permission of Emerson Network Power.

UNLESS OTHERWISE NOTED DIMENSIONS ARE IN INCHES AND TOLERANCES ARE:
 3 PLACE DECIMALS ±.005
 2 PLACE DECIMALS ±.02
 FRACTIONS ±1/64
 PARALLELITY: T.I.R. _____
 FLATNESS: T.I.R. _____
 CONCENTRICITY: T.I.R. _____
 ANGLES AND PERPENDICULARITY: ±1'

CAGE CODE 34078		MIDWEST MICROWAVE	
		TITLE SMA PLUG SHORT CIRCUIT OUTLINE DRAWING	
		DRAWN/DATE A.BEATTY 2/26/92	ENG./DATE G.KOZAK 3/2/92
DRAWING NUMBER SHT-2172-M0-SMA-02-01		REV. C	
SCALE: 5=1		SHEET 1 of 1	