



Chipsmall Limited consists of a professional team with an average of over 10 year of expertise in the distribution of electronic components. Based in Hongkong, we have already established firm and mutual-benefit business relationships with customers from,Europe,America and south Asia,supplying obsolete and hard-to-find components to meet their specific needs.

With the principle of "Quality Parts,Customers Priority,Honest Operation,and Considerate Service",our business mainly focus on the distribution of electronic components. Line cards we deal with include Microchip,ALPS,ROHM,Xilinx,Pulse,ON,Everlight and Freescale. Main products comprise IC,Modules,Potentiometer,IC Socket,Relay,Connector.Our parts cover such applications as commercial,industrial, and automotives areas.

We are looking forward to setting up business relationship with you and hope to provide you with the best service and solution. Let us make a better world for our industry!



Contact us

Tel: +86-755-8981 8866 Fax: +86-755-8427 6832

Email & Skype: info@chipsmall.com Web: www.chipsmall.com

Address: A1208, Overseas Decoration Building, #122 Zhenhua RD., Futian, Shenzhen, China



NOTES:

1.0 MATERIALS:

- 1.1 HOUSING: BRASS PER ASTM B16
- 1.2 COUPLING NUT: STAINLESS STEEL PER ASTM-A582, TYPE 303.
- 1.3 CENTER CONTACT: BERYLLIUM COPPER ROD ALLOY C172, PER ASTM-B196.
- 1.4 DIELECTRIC: PTFE FLOURCARBON PER ASTM-D1710.

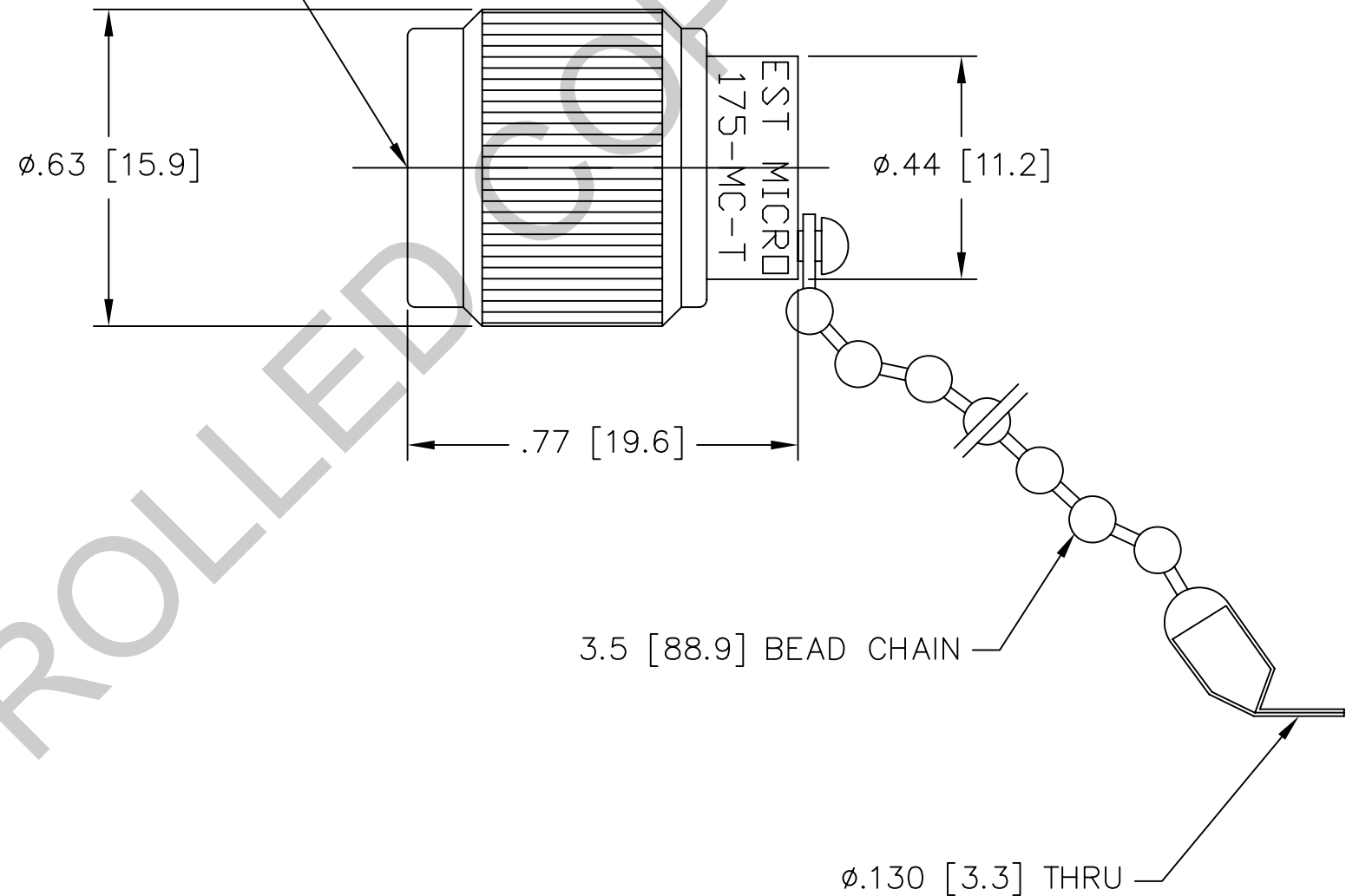
2.0 PLATING:

- 2.1 HOUSING: NICKEL PER QQ-N-290.
- 2.2 COUPLING NUT: PASSIVATED PER MIL-F-14072 AND AMS QQ-P-35
- 2.3 CENTER CONTACT: GOLD PER MIL-PRF-39012.

3.0 MARKING: MARK UNIT AS SHOWN (REF.: INK-09123-27-07)

4.0 DIMENSIONS IN PARENTHESIS ARE IN MILLIMETERS.

TNC PLUG
PER MIL-PRF-39012



MODEL NUMBER	SHT-2175-MC-TNC-02
REV.	1

UNCONTROLLED COPY

UNLESS OTHERWISE NOTED DIMENSIONS ARE IN INCHES AND TOLERANCES ARE: 3 PLACE DECIMALS ±.005 2 PLACE DECIMALS ±.02 FRACTIONS ±1/64 PARALLELITY: T.I.R. _____ FLATNESS: T.I.R. _____ CONCENTRICITY: T.I.R. _____ ANGLES AND PERPENDICULARITY: ±1°	FSCM NO. 34078	MIDWEST MICROWAVE	
	NOTICE: The information contained in this drawing is proprietary and must not be used without the permission of Midwest Microwave		TITLE TERMINATION - TNC SHORT
	DRAWN/DATE S.ORLOV 11/25/03	ENG./DATE G.KOZAK 11/26/03	DRAWING NUMBER SHT-2175-MC-TNC-02
	CHECKED/DATE	APPROVED/DATE	SCALE: 3=1 SHEET 1 of 1

REV.	DESCRIPTION	DATE
-	RELEASED	11/26/03