



Chipsmall Limited consists of a professional team with an average of over 10 year of expertise in the distribution of electronic components. Based in Hongkong, we have already established firm and mutual-benefit business relationships with customers from,Europe,America and south Asia,supplying obsolete and hard-to-find components to meet their specific needs.

With the principle of “Quality Parts,Customers Priority,Honest Operation,and Considerate Service”,our business mainly focus on the distribution of electronic components. Line cards we deal with include Microchip,ALPS,ROHM,Xilinx,Pulse,ON,Everlight and Freescale. Main products comprise IC,Modules,Potentiometer,IC Socket,Relay,Connector.Our parts cover such applications as commercial,industrial, and automotives areas.

We are looking forward to setting up business relationship with you and hope to provide you with the best service and solution. Let us make a better world for our industry!



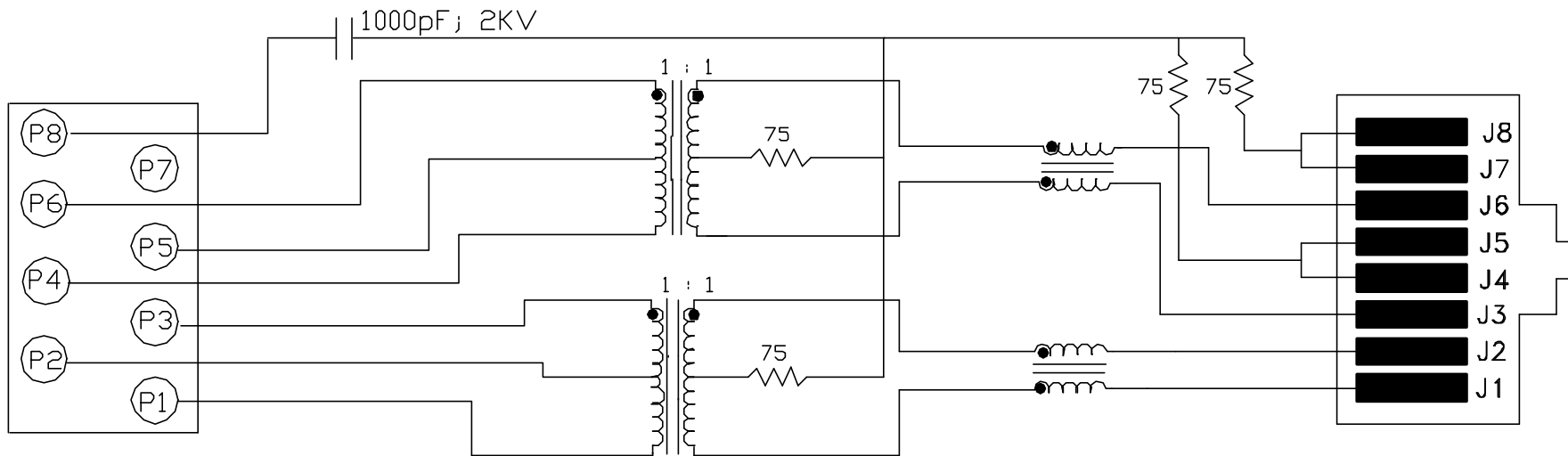
Contact us

Tel: +86-755-8981 8866 Fax: +86-755-8427 6832

Email & Skype: info@chipsmall.com Web: www.chipsmall.com

Address: A1208, Overseas Decoration Building, #122 Zhenhua RD., Futian, Shenzhen, China





ELECTRICAL SPECIFICATIONS:

- | | | | |
|---|------------------------------|---|------------------|
| 1.0 TURNS RATIO (P6-P5-P4) : | (J6-J3) | : 1CT : 1CT ± 3% | |
| | (P3-P2-P1) : | (J2-J1) | : 1CT : 1CT ± 3% |
| 2.0 INDUCTANCE (P6-P4) | | : 350uH MIN. @ 0.1V , 100KHz, 8mA DC Bias | |
| | (P3-P1) | : 350uH MIN. @ 0.1V, 100KHz, 8mA DC Bias | |
| 3.0 LEAKAGE INDUCTANCE P6-P4 (WITH J6 AND J3 SHORT) | | : 0.3 MAX. @ 1MHZ | |
| | P3-P1 (WITH J2 AND J1 SHORT) | : 0.3 MAX. @ 1MHZ | |
| 4.0 INTERWINDING CAPACITANCE (P6,P5,P4) TO (J6,J3) | | : 30pf MAX @ 1MHZ | |
| | (P3,P2,P1) TO (J2,J1) | : 30pf MAX. @ 1MHZ | |
| 5.0 DC RESISTANCE (J6-J3)=(J2-J1) | | : 1.2 ohms Max. | |

NOTES

1.0 PINS WITHOUT ELECTRICAL CONNECTION ARE OMITTED.

InNet Technologies Inc.
<http://www.innet-tech.com>
 Stewart Connector Systems
<http://www.stewartconnector.com>

6.0 RETURN LOSS: $(P6-P4)=100 \text{ OHMS}$ AND $(P1-P3)=100 \text{ OHM REF.}$
1MHz TO 30MHz : 18dB MIN.
60MHz TO 80MHz : 12dB MIN.

NOTE: 100 OHMS CONNECTED TO $(J2-J1)$ OR $(J6-J3)$.

7.0 VOLTAGE WITHSTAND:
 $(J1, J2)$ TO $(P1, P3)$: 1500 VAC
 $(J3, J6)$ TO $(P4, P6)$: 1500 VAC

8.0 INSERTION LOSS: $RS=RL=100 \text{ ohms}$
100KHz TO 100MHz 1.1 dB TYP

9.0 RISE TIME: $RS=100 \text{ OHMS}$ AND $RL = 100 \text{ OHMS}$
OUTPUT VOLTAGE = 1 V peak 3.0 nS MAX
PULSE WIDTH= 112nS 3.0 nS MAX

10.0 CROSS TALK:
1MHz TO 100MHz 40 dB TYP

11.0 COMMON TO COMMON MODE ATTENUATION:
30MHz TO 100MHz 35dB TYP

InNet Technologies Inc.

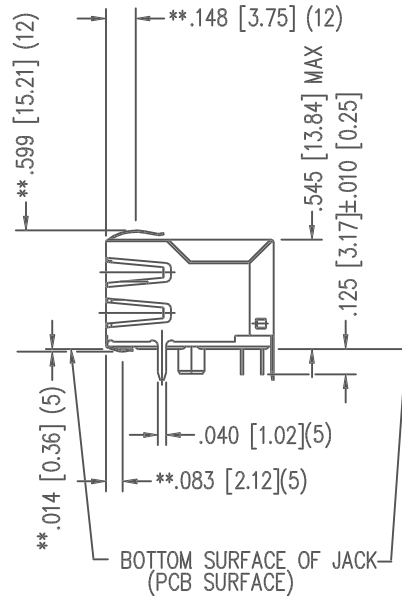
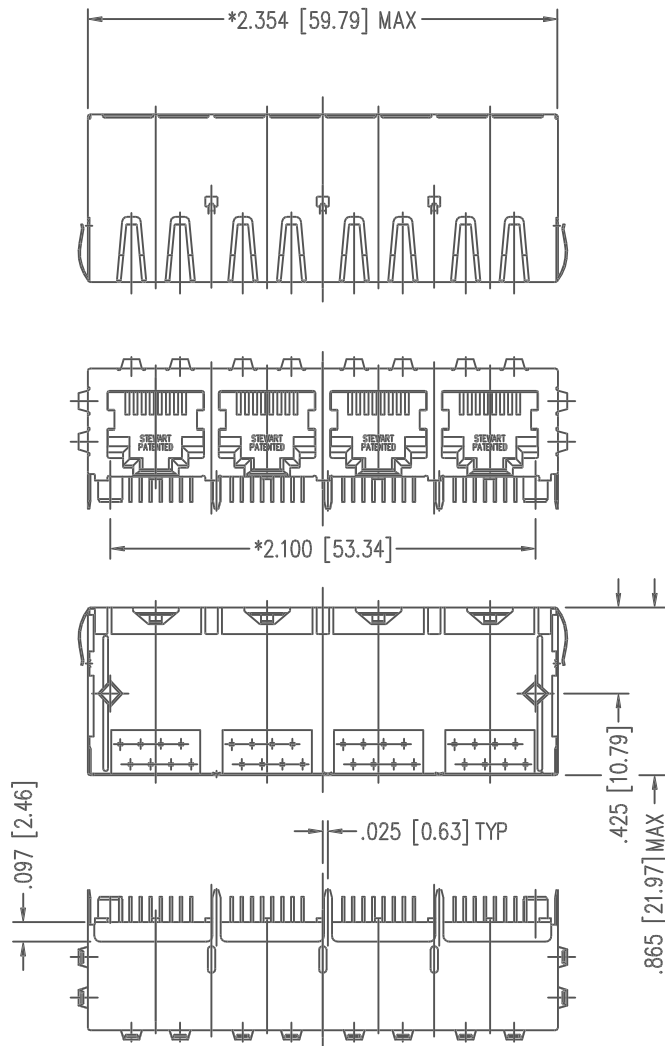
<http://www.innet-tech.com>

Stewart Connector Systems

<http://www.stewartconnector.com>

SHEET
2 OF 4

DRAWING NO. SI-10022 REV. 07



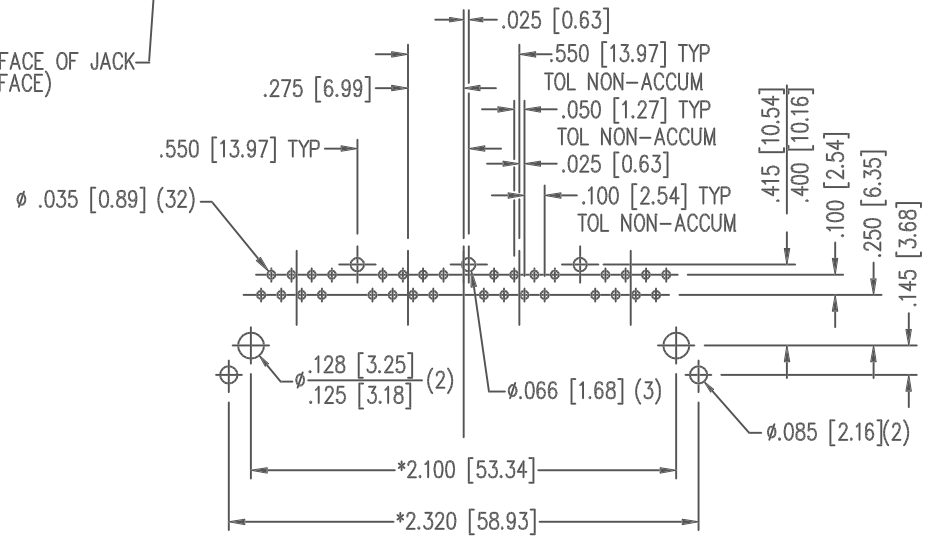
NOTES:

- TOLERANCES COMPLY WITH F.C.C. DIMENSION REQUIREMENTS
- DIMENSIONS SHOWN WITH "*" TO BE CENTRAL ABOUT CENTER LINE
- "***" ON DIMENSION INDICATES HIGHEST POINT OF BEAM
- DIMENSIONS SHOWN ARE SUBJECT TO CHANGE WITHOUT NOTICE
- PIN NOT ELECTRICALLY CONNECTED MAYBE OMITTED. SEE ELECTRICAL DRAWING FOR OMITTED PINS.

AVAILABLE WITH:

- STANDARD 50 MICRO-INCH SELECTIVE GOLD PLATING (30 AVAILABLE UPON REQUEST)

Ref: SS-668804S-A-PG4 -BC



P.C.B. RECOMMENDED HOLE LAYOUT
 SEEN FROM COMPONENT SIDE
 TOLERANCE $\pm .003 [0.08]$ UNLESS OTHERWISE SPECIFIED

CT720035X1/24-001701

InNet Technologies Inc.

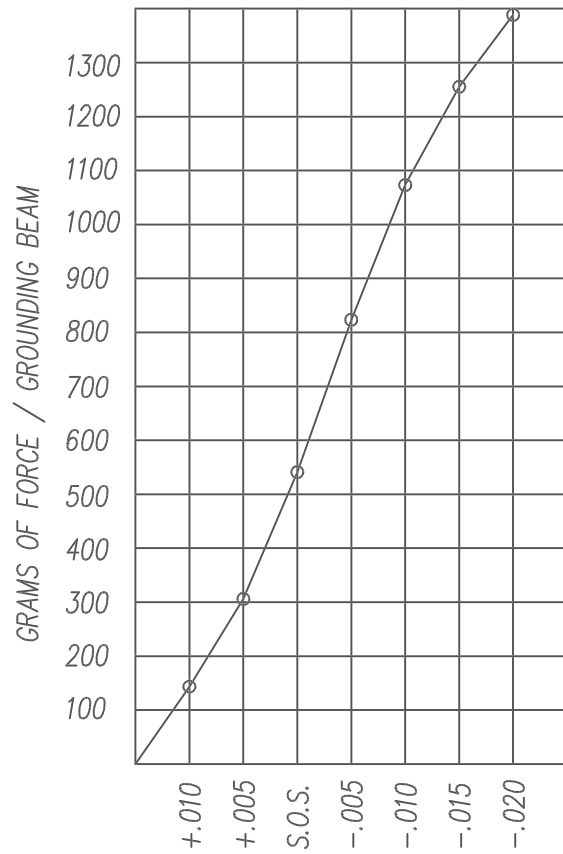
<http://www.innet-tech.com>

Stewart Connector Systems

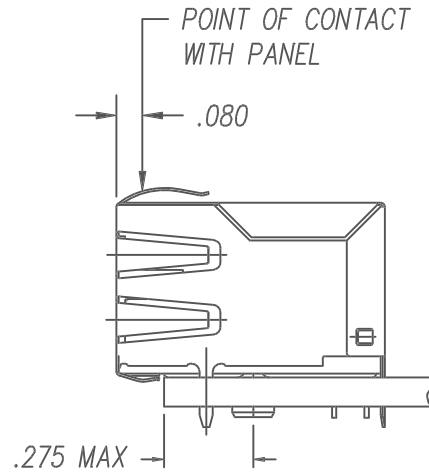
<http://www.stewartconnector.com>

SHEET
3 of 4

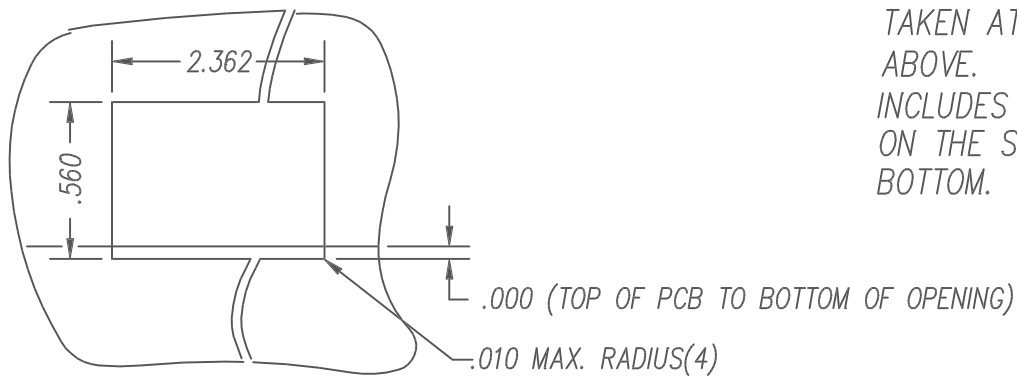
DRAWING NO. SI-10022 REV. 01



PANEL GROUNDING BEAM DEFLECTION
S.O.S. = SUGGESTED OPENING SIZE



THE SUGGESTED PANEL OPENING IS INTENDED TO GIVE THE USER THE ABILITY TO HAVE REASONABLE JACK / PANEL CLEARANCES YET MAINTAIN RELIABLE GROUNDING CAPABILITY. THESE VARIABLES CAN BE ADJUSTED IN EITHER DIRECTION BUT MAY CARRY SOME CONSEQUENCES IN THE FORM OF LOWER MATING FORCES OR TIGHTER ASSEMBLY TOLERANCES. FORCE VALUES ON THE GRAPH ARE GENERAL AVERAGES TAKEN AT THE POINT OF CONTACT SHOWN ABOVE. THE SUGGESTED PANEL OPENING INCLUDES APPROXIMATELY .020 CLEARANCE ON THE SIDES AND TOP AND .005 ON THE BOTTOM.



SUGGESTED PANEL OPENING

CT720035X1/24-001701

InNet Technologies Inc.

<http://www.innet-tech.com>

Stewart Connector Systems

<http://www.stewartconnector.com>

SHEET

4 of 4

DRAWING NO.

SI-10022

REV.

01