



Chipsmall Limited consists of a professional team with an average of over 10 year of expertise in the distribution of electronic components. Based in Hongkong, we have already established firm and mutual-benefit business relationships with customers from,Europe,America and south Asia,supplying obsolete and hard-to-find components to meet their specific needs.

With the principle of “Quality Parts,Customers Priority,Honest Operation,and Considerate Service”,our business mainly focus on the distribution of electronic components. Line cards we deal with include Microchip,ALPS,ROHM,Xilinx,Pulse,ON,Everlight and Freescale. Main products comprise IC,Modules,Potentiometer,IC Socket,Relay,Connector.Our parts cover such applications as commercial,industrial, and automotives areas.

We are looking forward to setting up business relationship with you and hope to provide you with the best service and solution. Let us make a better world for our industry!



## Contact us

Tel: +86-755-8981 8866 Fax: +86-755-8427 6832

Email & Skype: info@chipsmall.com Web: www.chipsmall.com

Address: A1208, Overseas Decoration Building, #122 Zhenhua RD., Futian, Shenzhen, China



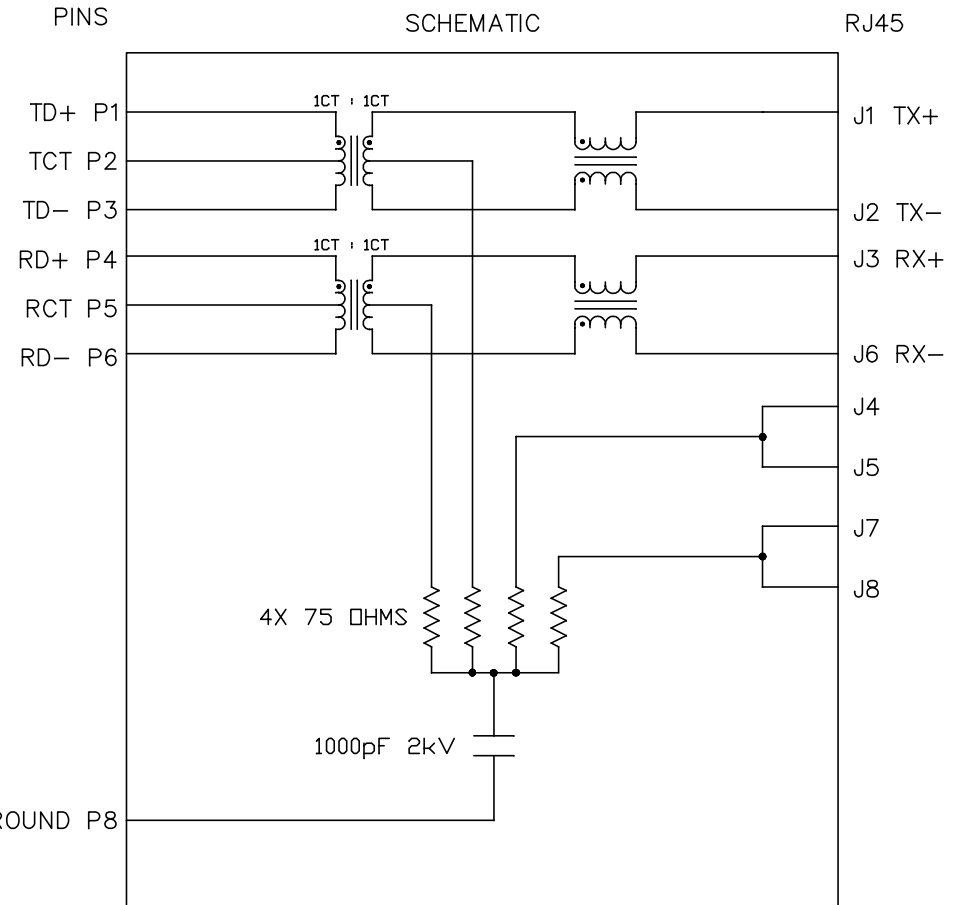
THE INFORMATION CONTAINED HEREIN IS CONSIDERED "PROPRIETARY" TO BEL FUSE INC. AND SHALL NOT BE COPIED, REPRODUCED OR DISCLOSED WITHOUT THE WRITTEN APPROVAL OF BEL FUSE INC.

RoHS  
2002/95/EC



## ELECTRICAL CHARACTERISTICS @ 25°C

- 1.0 INDUCTANCE: (P6-P4) : 350uH MIN. @ 0.1V, 100KHz, 8mA DC BIAS  
(P3-P1) : 350uH MIN. @ 0.1V, 100KHz, 8mA DC BIAS
- 2.0 TURNS RATIO: (P6-P4):(J6-J3) : 1CT : 1CT ± 3%  
(P3-P1):(J2-J1) : 1CT : 1CT ± 3%
- 3.0 DC RESISTANCE: (J6-J3)=(J2-J1) : 1.5 OHMS MAX.
- 4.0 INSERTION LOSS: 100kHz TO 100MHz : -1.1dB TYP.
- 5.0 RETURN LOSS: 100 OHMS SOURCE APPLIED TO J-PINS  
1MHz TO 30MHz : -18dB MIN.  
60MHz TO 80MHz : -12dB MIN.  
NOTE: 100 OHMS CONNECTED TO (P6-P4) OR (P1-P3)
- 6.0 CROSS TALK: 1MHz TO 100MHz : -40dB TYP.
- 7.0 COMMON TO COMMON MODE ATTENUATION: 30MHz TO 100MHz : -35dB TYP.
- 8.0 RISE TIME: OUTPUT VOLTAGE=1 V PEAK : 3.0 nS MAX  
PULSE WIDTH=112ns : 3.0 nS MAX
- 9.0 VOLTAGE WITHSTAND: (J1,J2) TO (P1,P3) : 1500Vrms  
(J3,J6) TO (P4,P6) : 1500Vrms
- 10.0 OPERATING TEMPERATURE RANGE: -40°C TO 85°C

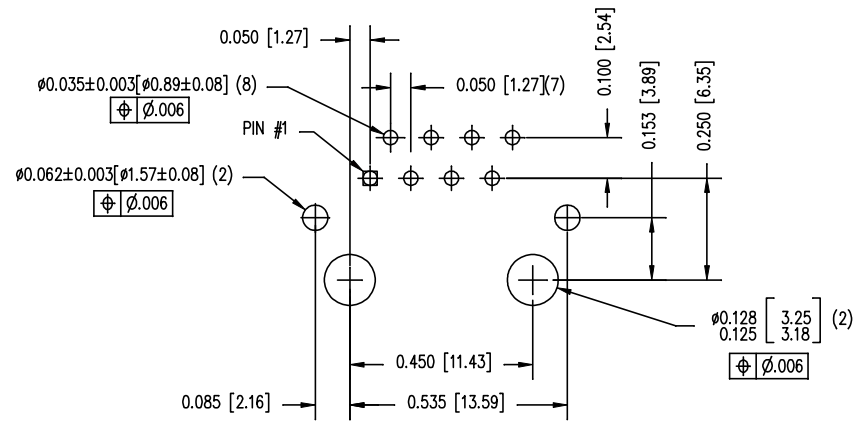


NOTES: 1.0 PINS WITHOUT ELECTRICAL CONNECTION ARE OMITTED.

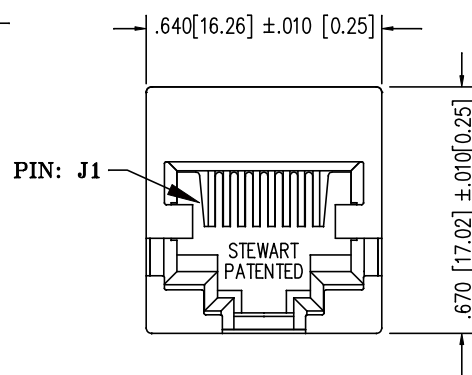
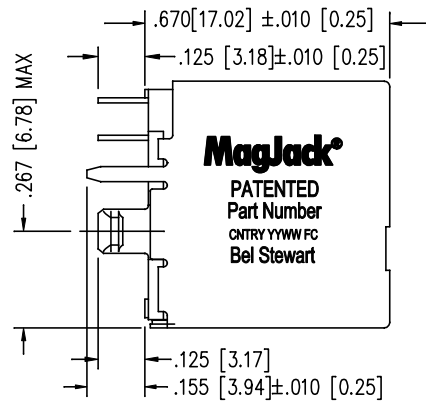
ORIGINATED BY	DATE	TITLE	PART NO. / DRAWING NO.	STANDARD DIM.	[ ] METRIC DIM. AS REFERENCE		 COMPONENTS FOR A CONNECTED PLANET
X.B Wei	05-27-10	<b>MagJack®</b> 10/100BT, VERTICAL, SHIELDED PATENTED	SI-16003-F	TOL. IN INCH	UNIT : INCH [mm]	REV. : A1	
DRAWN BY	DATE		FILE NAME	.X	SCALE : N/A	SIZE : A4	
RS Zhang	05-27-10		SI-16003-F.DWG	.XX		PAGE : 2	
				.XXX		±0.005	

THE INFORMATION CONTAINED HEREIN IS CONSIDERED "PROPRIETARY" TO BEL FUSE INC. AND SHALL NOT BE COPIED, REPRODUCED OR DISCLOSED WITHOUT THE WRITTEN APPROVAL OF BEL FUSE INC.

RoHS  
2002/95/EC



P.C.B. RECOMMENDED HOLE LAYOUT  
SEEN FROM COMPONENT SIDE  
ALL CENTERLINE DIMENSIONS ARE BASIC



NOTES:

- CONNECTOR MATERIALS:  
HOUSING: THERMOPLASTIC UL94 V-0  
CONTACT/SHIELD: COPPER ALLOY  
SHIELD PLATING: NICKEL OR TIN  
CONTACT PLATING: SELECTIVE GOLD,  
50 MICRO-INCHES MIN. IN CONTACT AREA.
- PIN NOT ELECTRICALLY CONNECTED MAYBE OMITTED.  
SEE ELECTRICAL DRAWING FOR OMITTED PINS.
- TOLERANCES COMPLY WITH F.C.C. DIMENSION REQUIREMENTS.
- ALL TOLERANCES NOT OTHERWISE SPECIFIED TO BE ±.005 [0.13]
- REFLOW AND WAVE SOLDER COMPATIBLE -260°C FOR 10 SECONDS MAX.

ORIGINATED BY X.B Wei	DATE 05-27-10	TITLE <b>MagJack®</b> 10/100BT, VERTICAL, SHIELDED PATENTED	PART NO. / DRAWING NO. SI-16003-F	STANDARD DIM. TOL. IN INCH .X .XX .XXX ±0.005	[ ] METRIC DIM. AS REFERENCE UNIT : INCH [mm] SCALE : N/A 	REV. : A1 SIZE : A4 PAGE : 3	<b>bel</b> COMPONENTS FOR A CONNECTED PLANET
DRAWN BY RS Zhang	DATE 05-27-10		FILE NAME SI-16003-F.DWG				