



Chipsmall Limited consists of a professional team with an average of over 10 year of expertise in the distribution of electronic components. Based in Hongkong, we have already established firm and mutual-benefit business relationships with customers from,Europe,America and south Asia,supplying obsolete and hard-to-find components to meet their specific needs.

With the principle of "Quality Parts,Customers Priority,Honest Operation,and Considerate Service",our business mainly focus on the distribution of electronic components. Line cards we deal with include Microchip,ALPS,ROHM,Xilinx,Pulse,ON,Everlight and Freescale. Main products comprise IC,Modules,Potentiometer,IC Socket,Relay,Connector.Our parts cover such applications as commercial,industrial, and automotives areas.

We are looking forward to setting up business relationship with you and hope to provide you with the best service and solution. Let us make a better world for our industry!



## Contact us

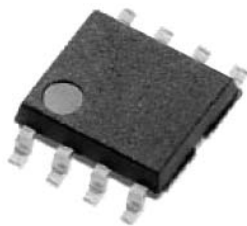
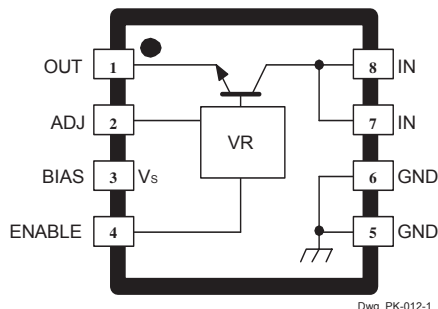
Tel: +86-755-8981 8866 Fax: +86-755-8427 6832

Email & Skype: info@chipsmall.com Web: www.chipsmall.com

Address: A1208, Overseas Decoration Building, #122 Zhenhua RD., Futian, Shenzhen, China



## 1.5 A, Ultra-Low-Dropout, 1~3.3 V Regulator



### ABSOLUTE MAXIMUM RATINGS

|   |                 |
|---|-----------------|
| Input Voltage, $V_I$ .....                | 10 V            |
| Output Current, $I_O$ .....               | 1.5 A*          |
| Bias Voltage, $V_S$ .....                 | 10 V            |
| Enable Input Voltage, $V_E$ .....         | $V_I$           |
| Junction Temperature, $T_J$ .....         | +125°C          |
| Storage Temperature Range,<br>$T_S$ ..... | -30°C to +125°C |

\* Output current rating is limited by input voltage, duty cycle, and ambient temperature. Under any set of conditions, do not exceed a junction temperature of +125°C.

Designed to meet the high-current requirements in industrial and consumer applications; embedded core, memory, or logic supplies; TVs, VCRs, and office equipment, the SI-3010LLSL voltage regulator offers the reduced dropout voltage and low quiescent current essential for improved efficiency. This device delivers a regulated output at up to 1.5 A. Integrated thermal and overcurrent protection enhance overall system reliability.

An npn pass element provides a dropout voltage of less than 300 mV at 1 A of load current. Regulator accuracy and excellent temperature characteristics are provided by a bandgap reference. Low output voltages eliminate the need for expensive PWM buck converters. The low dropout voltage permits more efficient regulation before output regulation is lost. Quiescent current does not increase significantly as the dropout voltage is approached, an ideal feature in standby/resume power systems where data integrity is crucial. An LS-TTL/CMOS-compatible input gives the designer complete control over power up, standby, or power down.

This device is supplied in a fully molded 8-lead miniature surface-mount package (tape and reel) with enhanced power-dissipating qualities. It is rated for continuous operation between -30°C and +100°C.

### FEATURES

- 1.5 A Output Current
- Adjustable 1 ~ 3.3 V Output Voltage
- 0.3 V Maximum Dropout Voltage at  $I_O = 1$  A
- Fast Transient Response
- 1  $\mu$ A Maximum Standby Current
- Remote Voltage Sensing
- Foldback Current Limiting
- Superior Heat Dissipation
- Thermal Protection

### APPLICATIONS

- TVs, VCRs, Electronic Games
- Embedded Core, Memory, or Logic Supplies
- Printers and Other Office Equipment
- Industrial Machinery
- Secondary-Side Stabilization of Multi-Output SMPS

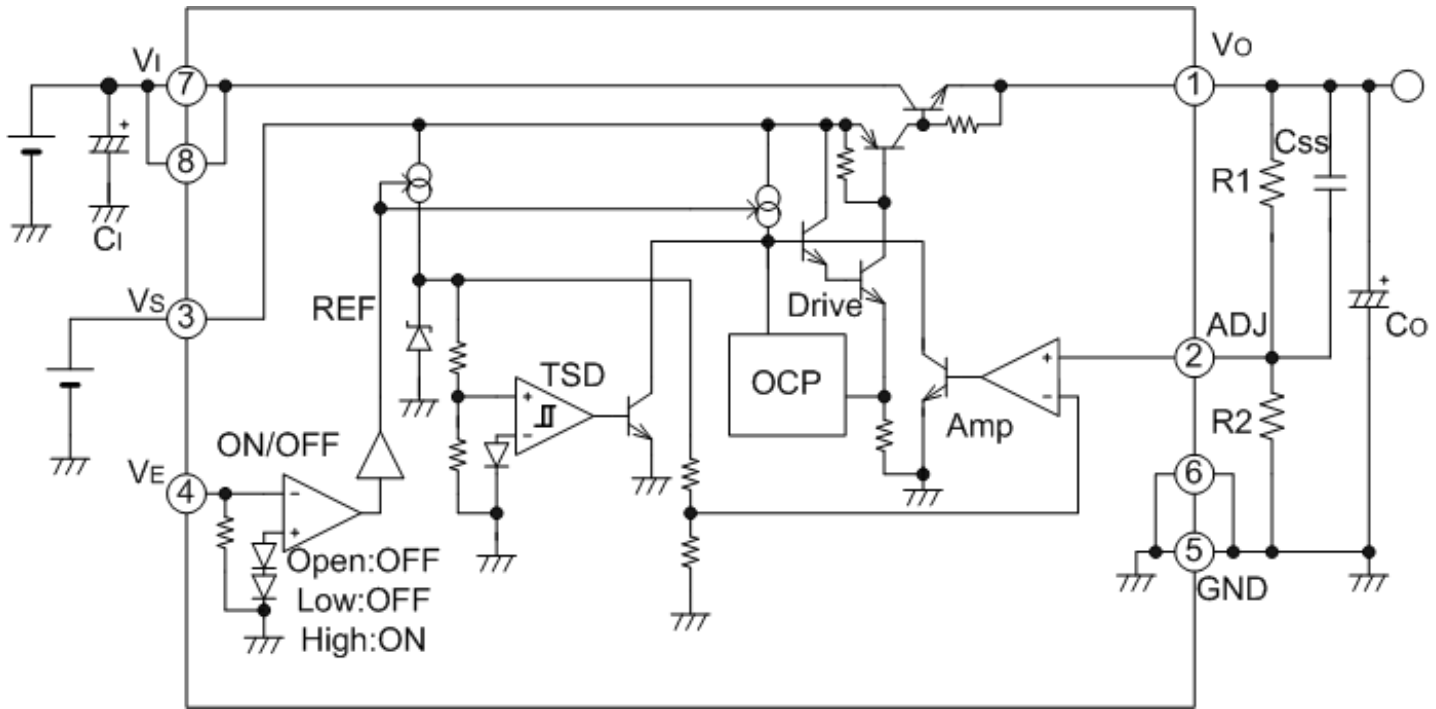
Always order by complete part number, e.g., **SI-3010LLSL-TL**, where "-TL" indicates tape and reel..



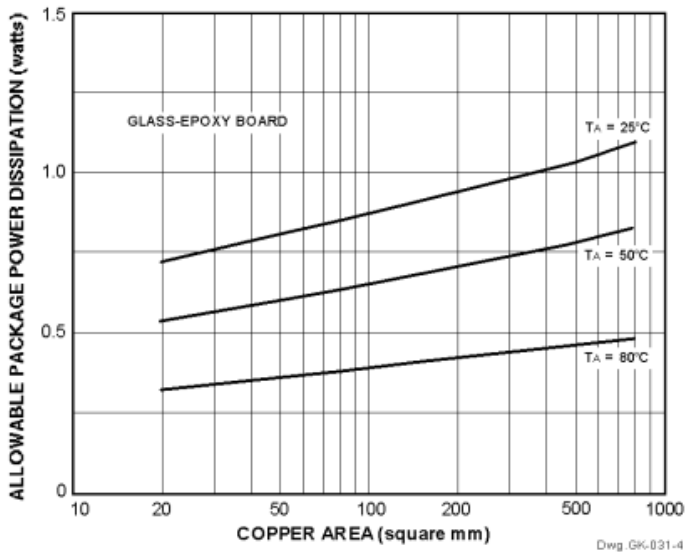
**SI-3010LLSL**  
**1.5 A, Ultra-Low-Dropout,**  
**1~3.3 V Regulator**

*Linear  
Regulators*

**FUNCTIONAL BLOCK DIAGRAM**



**Allowable Package Power Dissipation**



**Recommended Operating Conditions**

|                               | Min | Max  | Units |
|-------------------------------|-----|------|-------|
| DC Input Voltage              | 1.4 | 3.6  | V     |
| Adjustable Output Volt. Range | 1.1 | 3.3  | V     |
| DC Output Current             | 0   | 1.5  | A     |
| DC Bias Voltage               | 3.3 | 5.5  | V     |
| Operating Junction Temp.      | -20 | +100 | °C    |

For the availability of parts meeting -40°C requirements, contact Allegro's Sales Representative.

Leads 7 and 8 are soldered to the PCB copper area and provide heat sinking of the pass transistor.

This data sheet is based on Sanken data sheet SSJ-02412.

**ELECTRICAL CHARACTERISTICS** at  $T_A = +25^\circ\text{C}$ ,  $V_I = 1.8\text{ V}$ ,  $V_O = 1.5\text{ V}$  adjusted,  $V_S = 3.3\text{ V}$ ,  $V_E = 2\text{ V}$  (unless otherwise noted).

| Characteristic               | Symbol                     | Test Conditions   | Limits |           |       | Units         |
|------------------------------|----------------------------|---|--------|-----------|-------|---------------|
|                              |                            |   | Min.   | Typ.      | Max.  |               |
| Output Volt. Temp. Coeff.    | $a_{VO}$                   | $0^\circ\text{C} \leq T_J \leq 100^\circ\text{C}$           | —      | $\pm 0.2$ | —     | mV/°C         |
| Internal Reference Voltage   | $V_{ref}$                  | $I_O = 10\text{ mA}$  | 0.980  | 1.000     | 1.020 | V             |
| Output Short-Circuit Current | $I_{OM}$                   | see note  | 1.6    | —         | —     | A             |
| Line Regulation              | $\Delta V_{O(\Delta V_I)}$ | $V_I = 1.7 \sim 2.5\text{ V}$ , $I_O = 10\text{ mA}$        | —      | —         | 10    | mV            |
| Load Regulation              | $\Delta V_{O(\Delta I_O)}$ | $V_I = 1.8\text{ V}$ , $I_O = 0\text{ A} \sim 1.0\text{ A}$ | —      | —         | 30    | mV            |
| Dropout Voltage              | $V_{Imin} - V_O$           | $I_O = 1.0\text{ A}$  | —      | —         | 0.3   | V             |
| Ground Terminal Current      | $I_{GND}$                  | $I_O = 0\text{ mA}$ , $V_E = 2.0\text{ V}$                  | —      | 500       | 800   | $\mu\text{A}$ |
|                              |                            | $V_E = 0\text{ V}$  | —      | —         | 1.0   | $\mu\text{A}$ |
| Enable Input Voltage         | $V_{EH}$                   | Output ON   | 2.0    | —         | —     | V             |
|                              | $V_{EL}$                   | Output OFF  | —      | —         | 0.8   | V             |
| Enable Input Current         | $I_{EH}$                   | $V_E = 2.7\text{ V}$  | —      | —         | 50    | $\mu\text{A}$ |
|                              | $I_{EL}$                   | $V_E = 0\text{ V}$  | —      | —         | 10    | $\mu\text{A}$ |
| Ripple Rejection Ratio       | PSRR                       | $100\text{ Hz} \leq f \leq 120\text{ Hz}$                   | —      | 60        | —     | dB            |
| Thermal Shutdown             | $T_J$                      |   | 135    | 152       | —     | °C            |

Typical values are given for circuit design information only.

Note: Output short-circuit current is at point where output voltage has decreased 5% below  $V_{O(nom)}$ .

# SI-3010LLSL

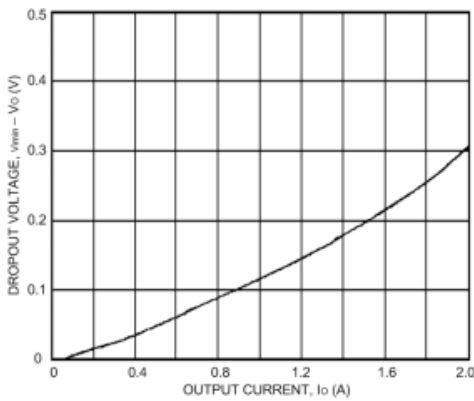
## 1.5 A, Ultra-Low-Dropout, 1~3.3 V Regulator

Linear  
Regulators

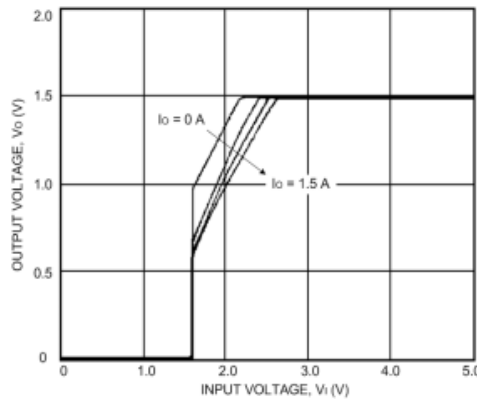
### TYPICAL CHARACTERISTICS

( $V_O = 1.5\text{ V}$  adjusted,  $V_I = 1.8\text{ V}$ ,  $V_S = 3.3\text{ V}$ ,  $T_A = 25^\circ\text{C}$ )

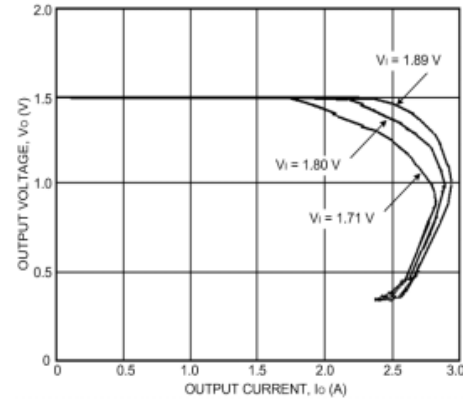
Dropout Voltage



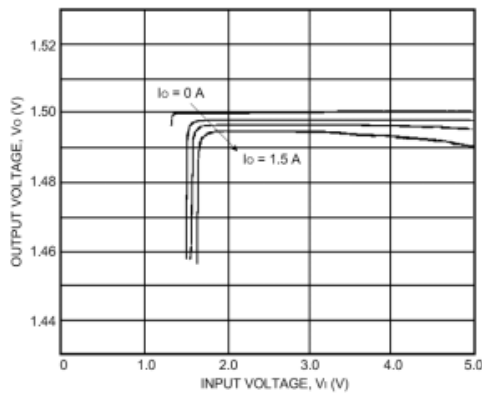
Low-Voltage Behavior



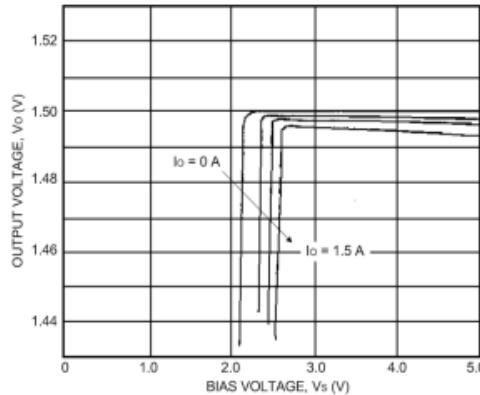
Overcurrent Protection



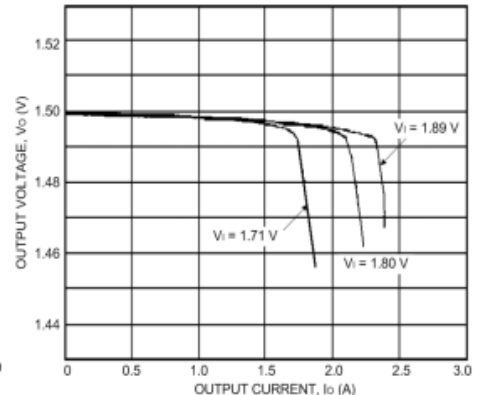
Input Line Regulation



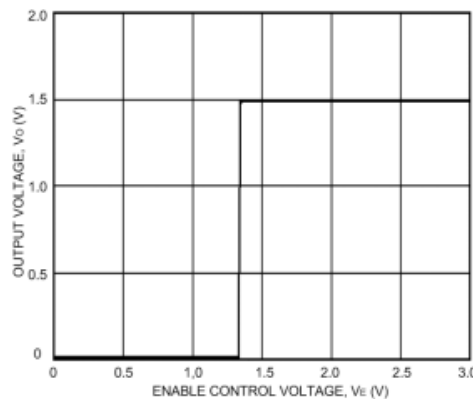
Bias Line Regulation



Load Regulation



ENABLE Control Voltage



## APPLICATIONS INFORMATION

**Input Capacitor** ( $C_I$ , 0.1  $\mu\text{F}$  to 10  $\mu\text{F}$ ). This is necessary either when the input line includes inductance or when the wiring is long.

**Output Capacitor** ( $C_O$ ,  $\geq 47 \mu\text{F}$ ). This device is designed for use with a very low ESR output capacitor such as a ceramic capacitor. Output oscillation may occur with an ESR greater than 500 m $\Omega$ .

**Output Voltage Adjustable Resistors** (R1 and R2). The output voltage can be adjusted by R1 and R2. 10 k $\Omega$  or 11 k $\Omega$  for R2 is recommended.

$$R1 = (V_O - V_{ref}) / (V_{ref} / R2)$$

**Soft-Start Capacitor** ( $C_{SS}$ ). This capacitor between  $V_O$  and ADJ will set up starting time.

**ENABLE Input.** The ENABLE (control) input features an internal pull-down resistor. Leaving this input open causes the output to turn off.

**Determination of DC Input Voltage.** The minimum input voltage  $V_I(\text{min})$  should be higher than the sum of the fixed output voltage and the maximum rated dropout voltage.

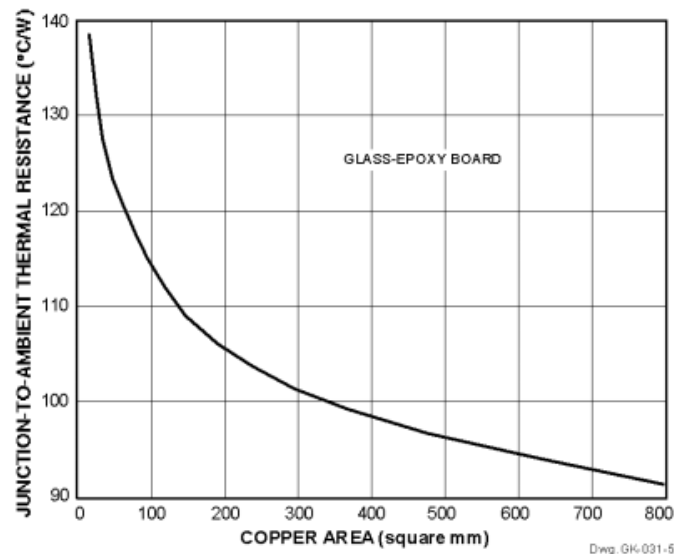
**Overcurrent Protection.** The SI-3000LLSL series has a built-in fold-back type overcurrent protection circuit, which limits the output current at a start-up mode. It thus cannot be used in applications that require current at the start-up mode such as:

- (1) constant-current load,
- (2) power supply with positive and negative outputs to common load (a center-tap type power supply), or
- (3) raising the output voltage by putting a diode or a resistor between the device ground and system ground.

**Thermal Protection.** Circuitry turns off the pass transistor when the junction temperature rises above 135 $^{\circ}\text{C}$ . It is intended only to protect the device from failures due to excessive junction temperatures and should not imply that output short circuits or continuous overloads are permitted.

**Heat Radiation and Reliability.** The reliability of the device is directly related to the junction temperature ( $T_J$ ) in its operation. Accordingly, careful consideration should be given to heat dissipation.

The inner frame on which the pass transistor is mounted is connected to terminals 7 and 8. Therefore, it is very effective for heat radiation to enlarge the copper area that is connected to these terminals. The graph illustrates the effect of the copper area on the junction-to-ambient thermal resistance ( $R_{\theta JA}$ ).



The junction temperature ( $T_J$ ) can be determined from either of the following equations:

$$T_J = (P_D \times R_{\theta JA}) + T_A$$

or

$$T_J = (P_D \times R_{\theta JL}) + T_L$$

where  $P_D = I_O \times (V_I - V_O)$ ,

$T_L$  is the temperature of lead 8, and

$R_{\theta JL} = 36^{\circ}\text{C/W}$ .

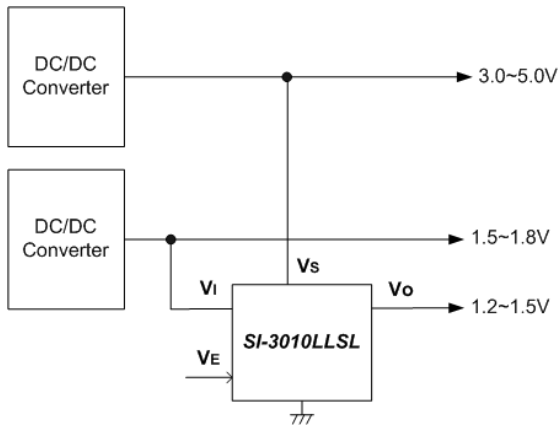
**Parallel Operation.** Parallel operation to increase load current is not permitted.

**SI-3010LLSL**  
**1.5 A, Ultra-Low-Dropout,**  
**1~3.3 V Regulator**

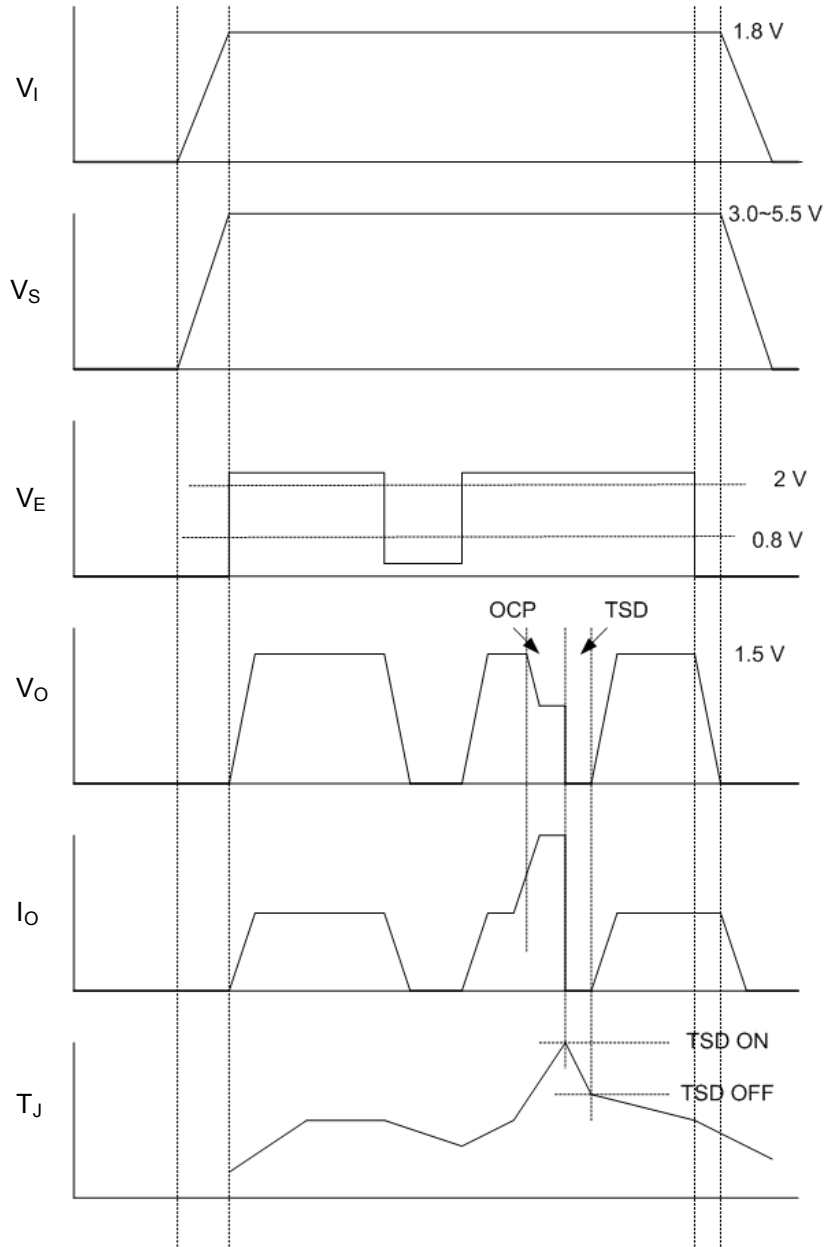
*Linear  
Regulators*

**APPLICATIONS INFORMATION (cont.)**

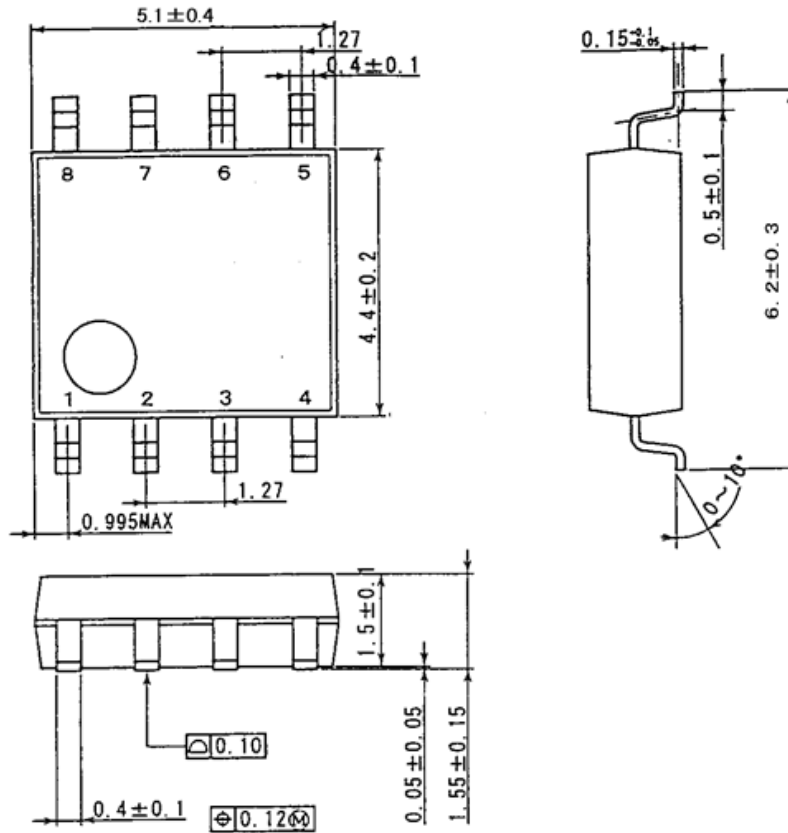
**Typical Application.**



**Recommended Timing.**



Dimensions in Millimeters



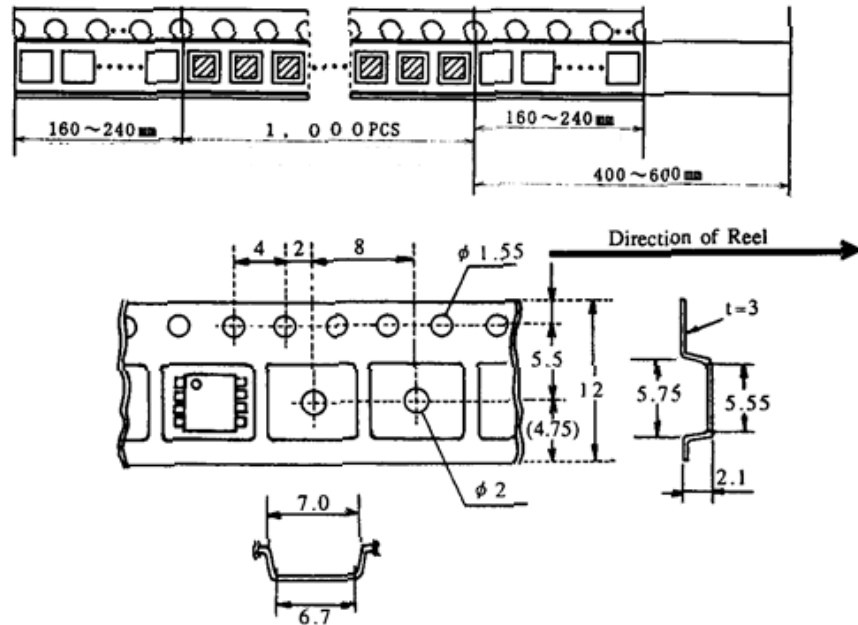
- NOTES: 1. Exact body and lead configuration at vendor's option within limits shown.  
 2. Lead spacing tolerance is non-cumulative.  
 3. Leads 7 and 8 are internally connected together and provide heat sinking of the pass transistor.  
 4. Terminal finish: pure Sn, 2<sup>nd</sup> level interconnect category (e3)



**SI-3010LLSL**  
**1.5 A, Ultra-Low-Dropout,**  
**1~3.3 V Regulator**

*Linear  
Regulators*

**Tape and Reel Dimensions in Millimeters**



**Tape Specifications**

1. Material: conductive polystyrene.
2. Allowable camber: 1 mm/100 mm maximum.
3. Surface resistance: 100 k $\Omega$ , maximum (distance of ten pockets).
4. 1000 pieces per reel.

## SI-3010LLSL 1.5 A, Ultra-Low-Dropout, 1~3.3 V Regulator

*The products described herein are manufactured in Japan by Sanken Electric Co., Ltd. for sale by Allegro MicroSystems, Inc.*

*Sanken and Allegro reserve the right to make, from time to time, such departures from the detail specifications as may be required to permit improvements in the performance, reliability, or manufacturability of its products. Therefore, the user is cautioned to verify that the information in this publication is current before placing any order.*

*When using the products described herein, the applicability and suitability of such products for the intended purpose shall be reviewed at the users responsibility.*

*Although Sanken undertakes to enhance the quality and reliability of its products, the occurrence of failure and defect of semiconductor products at a certain rate is inevitable.*

*Users of Sanken products are requested to take, at their own risk, preventative measures including safety design of the equipment or systems against any possible injury, death, fires or damages to society due to device failure or malfunction.*

*Sanken products listed in this publication are designed and intended for use as components in general-purpose electronic equipment or apparatus (home appliances, office equipment, telecommunication equipment, measuring equipment, etc.). Their use in any application requiring radiation hardness assurance (e.g., aerospace equipment) is not supported.*

*When considering the use of Sanken products in applications where higher reliability is required (transportation equipment and its control systems or equipment, fire- or burglar-alarm systems, various safety devices, etc.), contact a company sales representative to discuss and obtain written confirmation of your specifications.*

*The use of Sanken products without the written consent of Sanken in applications where extremely high reliability is required (aerospace equipment, nuclear power-control stations, life-support systems, etc.) is strictly prohibited.*

*The information included herein is believed to be accurate and reliable. Application and operation examples described in this publication are given for reference only and Sanken and Allegro assume no responsibility for any infringement of industrial property rights, intellectual property rights, or any other rights of Sanken or Allegro or any third party that may result from its use.*