



Chipsmall Limited consists of a professional team with an average of over 10 year of expertise in the distribution of electronic components. Based in Hongkong, we have already established firm and mutual-benefit business relationships with customers from,Europe,America and south Asia,supplying obsolete and hard-to-find components to meet their specific needs.

With the principle of “Quality Parts,Customers Priority,Honest Operation,and Considerate Service”,our business mainly focus on the distribution of electronic components. Line cards we deal with include Microchip,ALPS,ROHM,Xilinx,Pulse,ON,Everlight and Freescale. Main products comprise IC,Modules,Potentiometer,IC Socket,Relay,Connector.Our parts cover such applications as commercial,industrial, and automotives areas.

We are looking forward to setting up business relationship with you and hope to provide you with the best service and solution. Let us make a better world for our industry!



## Contact us

Tel: +86-755-8981 8866 Fax: +86-755-8427 6832

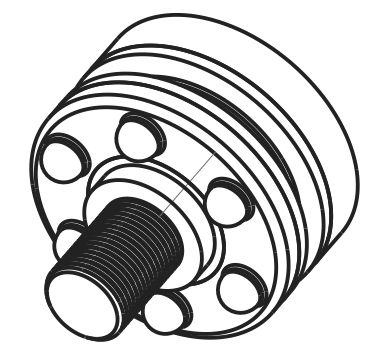
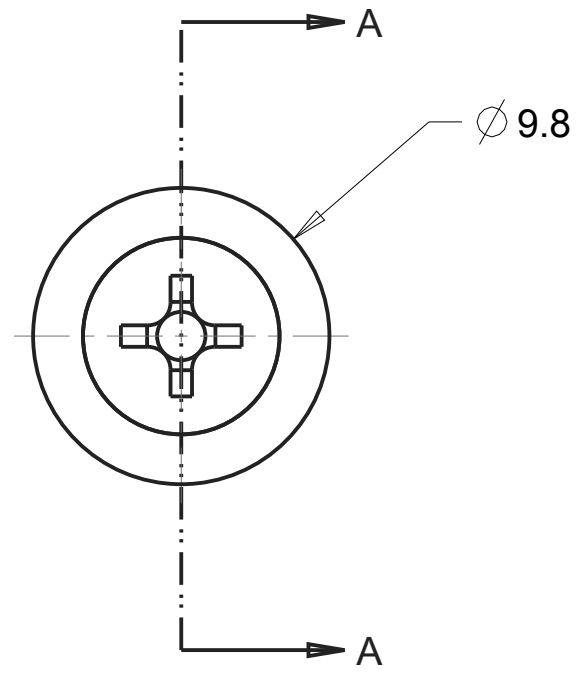
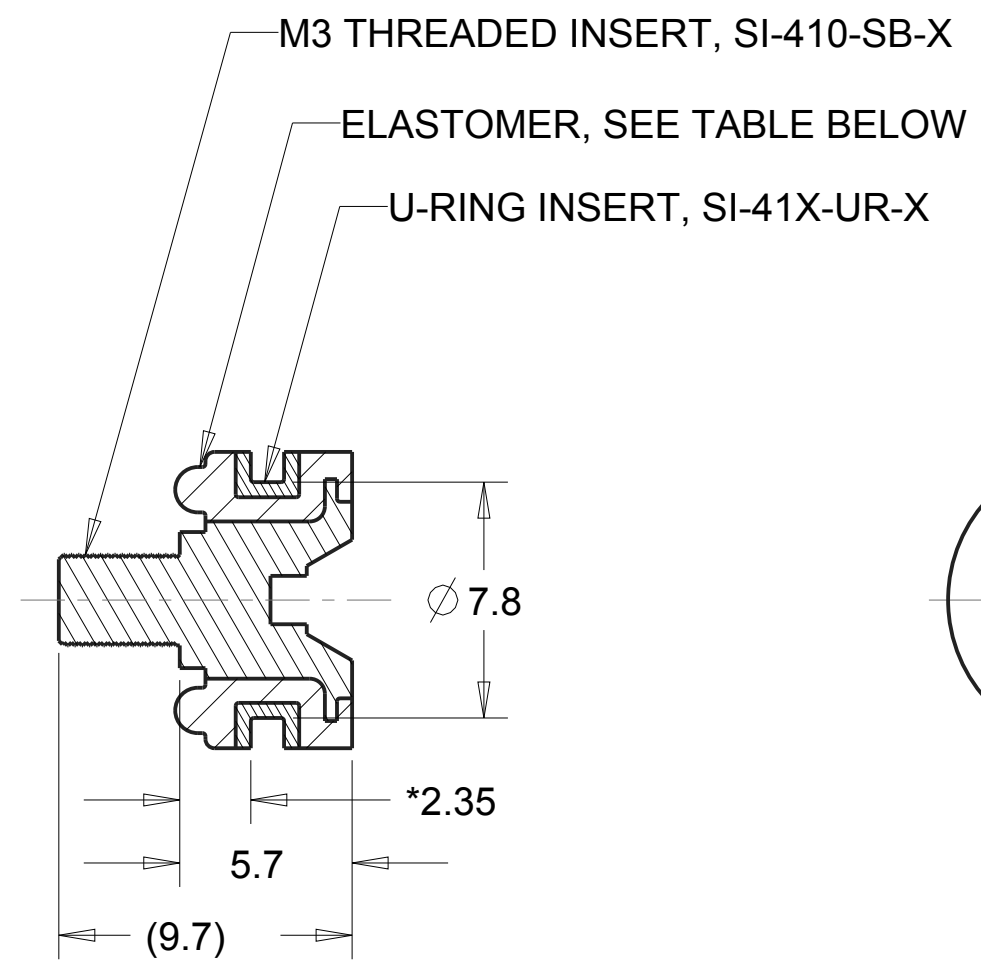
Email & Skype: info@chipsmall.com Web: www.chipsmall.com

Address: A1208, Overseas Decoration Building, #122 Zhenhua RD., Futian, Shenzhen, China





REVISIONS				
DRAWN	REV	DESCRIPTION	DATE	APPROVED
TC	-	PRODUCTION RELEASE	2-22-12	MS
TC	01	Fixed material naming to include "C" Added flash and gate tolerances	2-23-12	MS
TC	02	UPDATED NAMING CONVENTION	6-14-12	MS



SECTION A-A

- 5. USE THE TOLERANCE TABLE ON THE LEFT FOR ELASTOMERS.
- 4. FOR THREADED INSERT: CRITICAL DIM TOL:  $\pm .08\text{MM}$ .  
ALL OTHER DIM TOL:  $\pm .10\text{MM}$ .
- 3. FOR THREADED INSERT: ASTM B-117 (72 HOURS).
- 2. CRITICAL DIMENSIONS SHALL HAVE Cpk VALUE  $\geq 1.33$  WITH ONGOING SPC DATA REQUIRED.
- 1. CRITICAL DIMENSIONS ARE MARKED WITH " \* ".

NOTES:

SI-410-C8012	C-8012
SI-410-C8002	C-8002
SI-410-C8001	C-8001
SI-410-C1002	C-1002
PART #	MATERIAL

RANGE	TOL
0<DIM<=2	$\pm 0.15$
2<DIM<=25	$\pm 0.25$
25<DIM<=50	$\pm 0.4$
50<DIM	$\pm 0.6$

UNLESS OTHERWISE SPECIFIED UNITS ARE: MM [IN] TOLERANCE FOR ANGLES: $\pm 1.0^\circ$		MATERIAL: <b>SEE TABLE</b>		AEARO TECHNOLOGIES LLC * a 3M company	
ALLOWABLE FLASH: $\pm .12\text{MM}$		QUALITY CONTROL: MUST COMPLY WITH E-A-R SPECIALTY COMPOSITES SUPPLIER QUALITY MANUAL REQUIREMENTS		TITLE <b>SI-410 GROMMET</b>	
GATE: $\pm .15\text{MM}$		NOTES: ANY FEATURE NOT DIMENSIONED IN PRINT MUST BE VISIBLY PRESENT, UTILIZE 3D CAD FOR CREATION		SIZE <b>B</b>	DRAWING NO. <b>SI-410-X</b>
				PAGE NO. <b>1 of 1</b>	