



Chipsmall Limited consists of a professional team with an average of over 10 year of expertise in the distribution of electronic components. Based in Hongkong, we have already established firm and mutual-benefit business relationships with customers from,Europe,America and south Asia,supplying obsolete and hard-to-find components to meet their specific needs.

With the principle of "Quality Parts,Customers Priority,Honest Operation,and Considerate Service",our business mainly focus on the distribution of electronic components. Line cards we deal with include Microchip,ALPS,ROHM,Xilinx,Pulse,ON,Everlight and Freescale. Main products comprise IC,Modules,Potentiometer,IC Socket,Relay,Connector.Our parts cover such applications as commercial,industrial, and automotives areas.

We are looking forward to setting up business relationship with you and hope to provide you with the best service and solution. Let us make a better world for our industry!



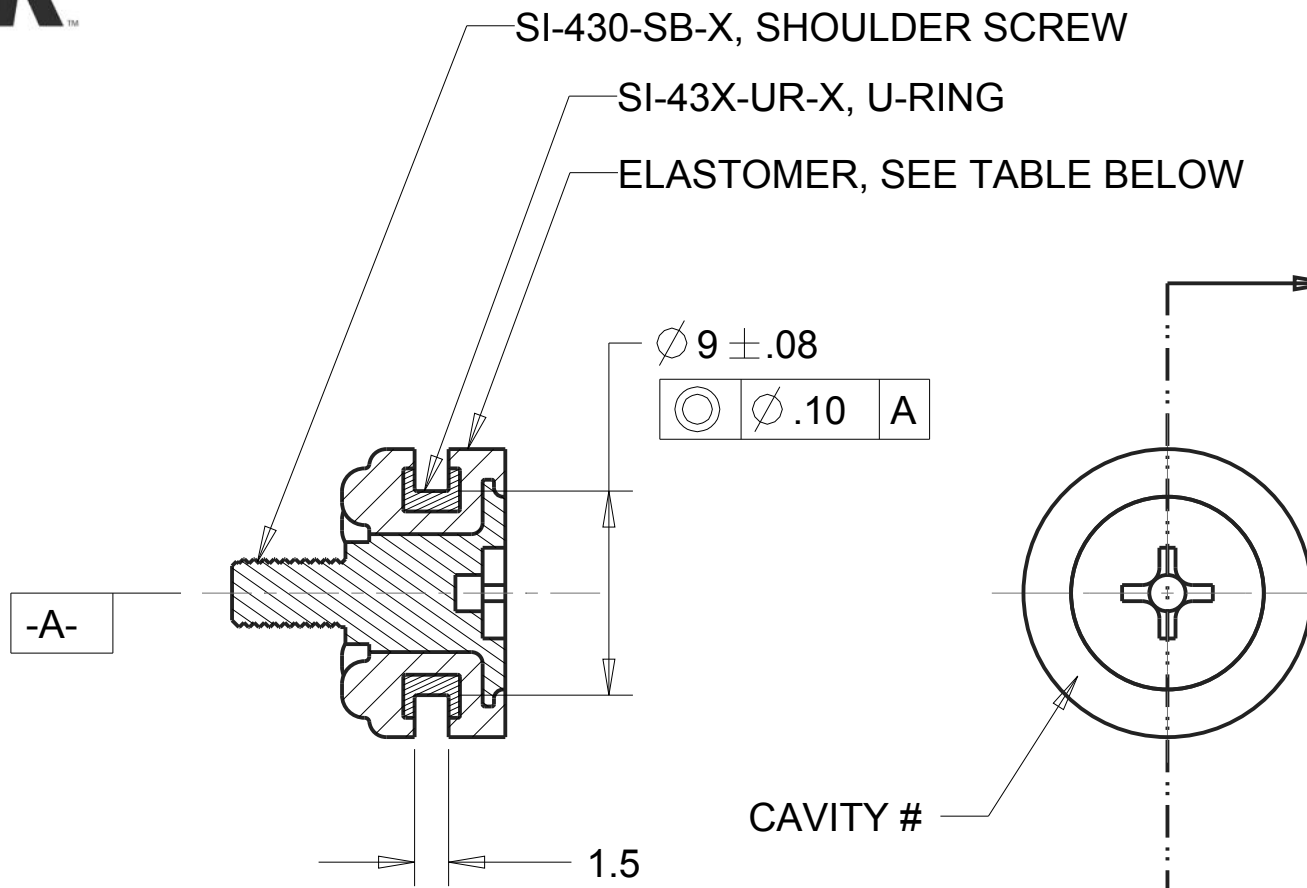
Contact us

Tel: +86-755-8981 8866 Fax: +86-755-8427 6832

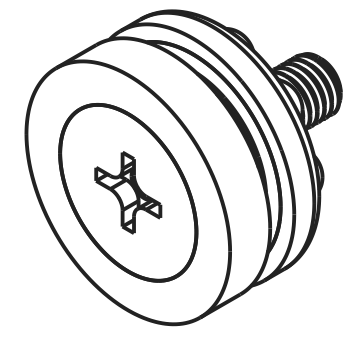
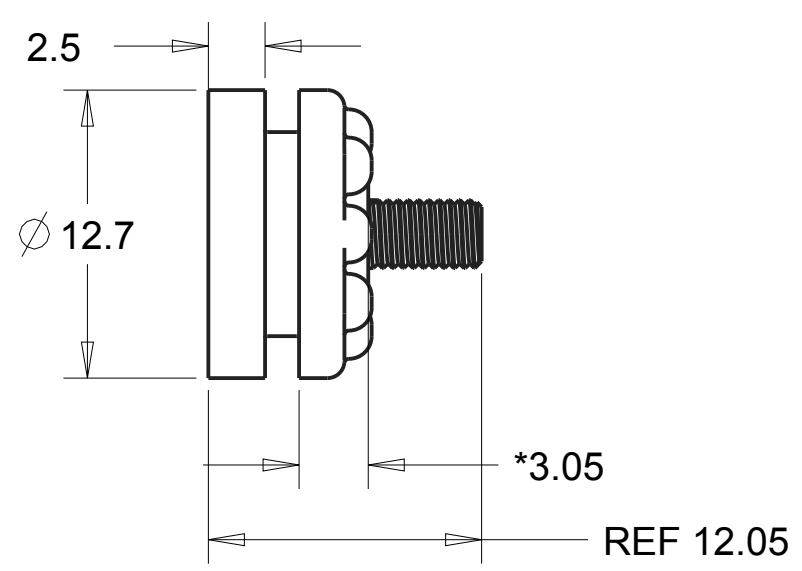
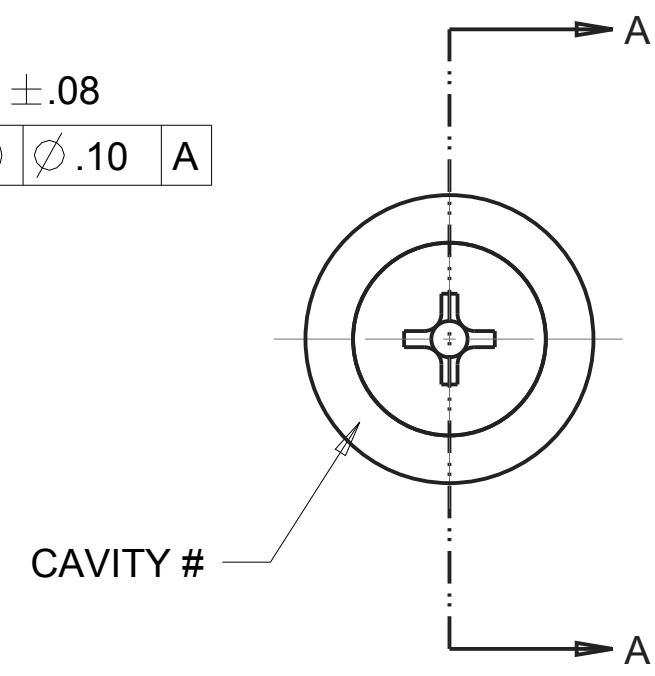
Email & Skype: info@chipsmall.com Web: www.chipsmall.com

Address: A1208, Overseas Decoration Building, #122 Zhenhua RD., Futian, Shenzhen, China





SECTION A-A



REVISIONS				
DRAWN	REV	DESCRIPTION	DATE	APPROVED
TC	-	PRODUCTION RELEASE	4-30-10	JS
TC	A	SEPERATED EACH PART INTO INDIVIDUAL PRINTS	6-2-10	JS
TC	02	CHANGED POSITION CALLOUT TO CONCENTRICITY CHANGED TOLERANCE FROM .05 TO .10MM	11-7-11	MS

5. USE THE TOLERANCE TABLE ON THE LEFT FOR ELASTOMERS.
4. FOR THE SCREW: CRITICAL PIN DIM TOLERANCE: $\pm 0.08\text{MM}$
ALL OTHER SCREW DIM TOLERANCES: $\pm 0.10\text{MM}$
3. FOR THE SCREW: Zn COATING, Cr6 FREE, ASTM B-117 (72 HOURS).
2. CRITICAL DIMENSIONS SHALL HAVE Cpk VALUE ≥ 1.33 WITH ON GOING SPC DATA REQUIRED.
1. CRITICAL DIMENSIONS ARE MARKED WITH "*".

NOTES:

SI-430-C8012		C-8012	<table border="1"> <thead> <tr> <th>RANGE</th> <th>TOL</th> </tr> </thead> <tbody> <tr> <td>0<DIM<=2</td> <td>± 0.15</td> </tr> <tr> <td>2<DIM<=25</td> <td>± 0.25</td> </tr> <tr> <td>25<DIM<=50</td> <td>± 0.4</td> </tr> <tr> <td>50<DIM</td> <td>± 0.6</td> </tr> </tbody> </table>	RANGE	TOL	0<DIM<=2	± 0.15	2<DIM<=25	± 0.25	25<DIM<=50	± 0.4	50<DIM	± 0.6	UNLESS OTHERWISE SPECIFIED UNITS ARE: MM [IN] TOLERANCE FOR ANGLES: $\pm 1.0^\circ$	MATERIAL: SEE TABLE	AEARO TECHNOLOGIES LLC * a 3M company		
RANGE	TOL																	
0<DIM<=2	± 0.15																	
2<DIM<=25	± 0.25																	
25<DIM<=50	± 0.4																	
50<DIM	± 0.6																	
SI-430-C8002		C-8002	ALLOWABLE FLASH: .12MM	QUALITY CONTROL: MUST COMPLY WITH E-A-R SPECIALTY COMPOSITES SUPPLIER QUALITY MANUAL REQUIREMENTS	TITLE SI-430 GROMMET													
SI-430-C8001		C-8001			GATE: $\pm .15\text{MM}$	NOTES: ANY FEATURE NOT DIMENSIONED IN PRINT MUST BE VISIBLY PRESENT, UTILIZE 3D CAD FOR CREATION	SIZE B	DRAWING NO. SI-430-X	PAGE NO. 1 OF 1									
SI-430-C1002		C-1002																
PART #		ELASTOMER																