



Chipsmall Limited consists of a professional team with an average of over 10 year of expertise in the distribution of electronic components. Based in Hongkong, we have already established firm and mutual-benefit business relationships with customers from,Europe,America and south Asia,supplying obsolete and hard-to-find components to meet their specific needs.

With the principle of “Quality Parts,Customers Priority,Honest Operation,and Considerate Service”,our business mainly focus on the distribution of electronic components. Line cards we deal with include Microchip,ALPS,ROHM,Xilinx,Pulse,ON,Everlight and Freescale. Main products comprise IC,Modules,Potentiometer,IC Socket,Relay,Connector.Our parts cover such applications as commercial,industrial, and automotives areas.

We are looking forward to setting up business relationship with you and hope to provide you with the best service and solution. Let us make a better world for our industry!



## Contact us

Tel: +86-755-8981 8866 Fax: +86-755-8427 6832

Email & Skype: info@chipsmall.com Web: www.chipsmall.com

Address: A1208, Overseas Decoration Building, #122 Zhenhua RD., Futian, Shenzhen, China

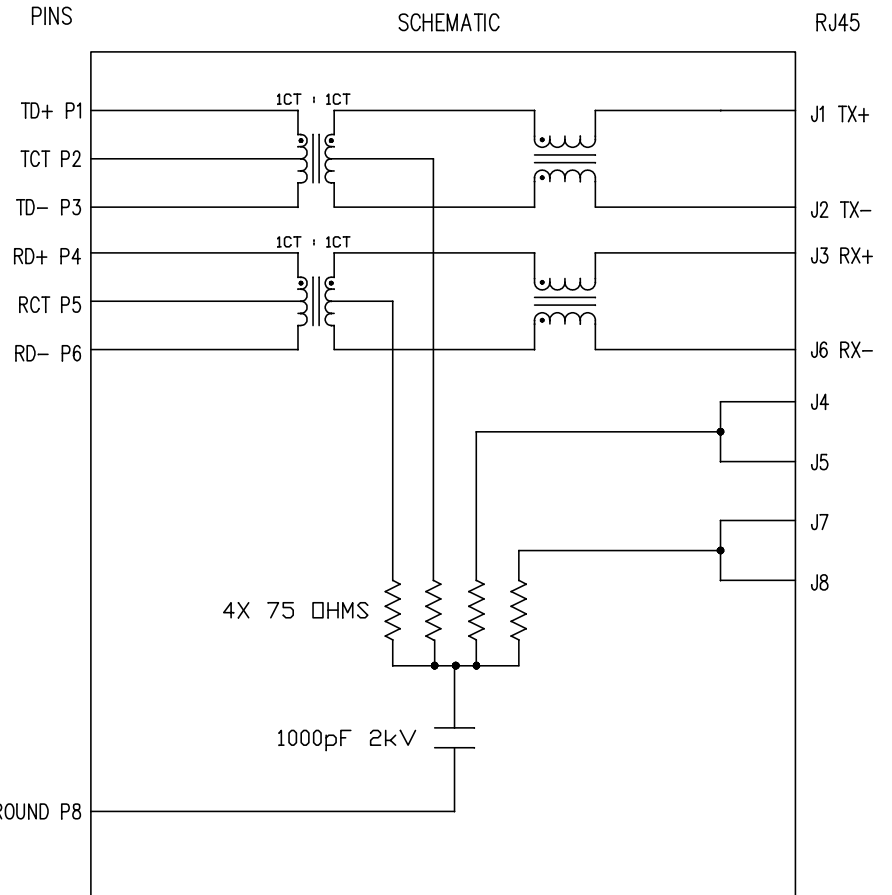


THE INFORMATION CONTAINED HEREIN IS CONSIDERED "PROPRIETARY" TO BEL FUSE INC. AND SHALL NOT BE COPIED, REPRODUCED OR DISCLOSED WITHOUT THE WRITTEN APPROVAL OF BEL FUSE INC.



ELECTRICAL CHARACTERISTICS @ 25°C

- 1.0 INDUCTANCE:  
 (P6-P4) : 350uH MIN. @ 0.1V, 100KHz, 8mA DC BIAS  
 (P3-P1) : 350uH MIN. @ 0.1V, 100KHz, 8mA DC BIAS
- 2.0 TURNS RATIO:  
 (P6-P4):(J6-J3) : 1CT : 1CT ± 3%  
 (P3-P1):(J2-J1) : 1CT : 1CT ± 3%
- 3.0 DC RESISTANCE:  
 (J6-J3)=(J2-J1) : 1.5 OHMS MAX.
- 4.0 INSERTION LOSS:  
 100kHz TO 100MHz : -1.1dB TYP.
- 5.0 RETURN LOSS: 100 OHMS SOURCE APPLIED TO J-PINS  
 1MHz TO 30MHz : -18dB MIN.  
 60MHz TO 80MHz : -12dB MIN.  
 NOTE: 100 OHMS CONNECTED TO (P6-P4) OR (P1-P3)
- 6.0 CROSS TALK:  
 1MHz TO 100MHz : -40dB TYP.
- 7.0 COMMON TO COMMON MODE ATTENUATION:  
 30MHz TO 100MHz : -35dB TYP.
- 8.0 RISE TIME:  
 OUTPUT VOLTAGE=1 V PEAK : 3.0 nS MAX  
 PULSE WIDTH=112ns : 3.0 nS MAX
- 9.0 VOLTAGE WITHSTAND:  
 (J1,J2) TO (P1,P3) : 1500Vrms  
 (J3,J6) TO (P4,P6) : 1500Vrms
- 10.0 OPERATING TEMPERATURE RANGE: -40°C TO 85°C



NOTES:  
 1.0 PINS WITHOUT ELECTRICAL CONNECTION ARE OMITTED.

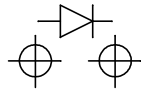
ORIGINATED BY	DATE	TITLE	PART NO. / DRAWING NO.	STANDARD DIM. TOL. IN INCH	[ ] METRIC DIM. AS REFERENCE
Bain Liu	Jun-03-09	<b>MagJack®</b> 10/100BT VERTICAL, SHIELDED PATENTED	SI-46014-F	.X	UNIT : INCH [mm]
DRAWN BY	DATE		FILE NAME	.XX	SCALE : N/A
Bain Liu	Jun-03-09		SI-46014-F.DWG	.XXX	±0.005
					REV. : A0
					SIZE : A4
					PAGE : 2



THE INFORMATION CONTAINED HEREIN IS CONSIDERED "PROPRIETARY" TO BEL FUSE INC. AND SHALL NOT BE COPIED, REPRODUCED OR DISCLOSED WITHOUT THE WRITTEN APPROVAL OF BEL FUSE INC.

RoHS  
2002/95/EC

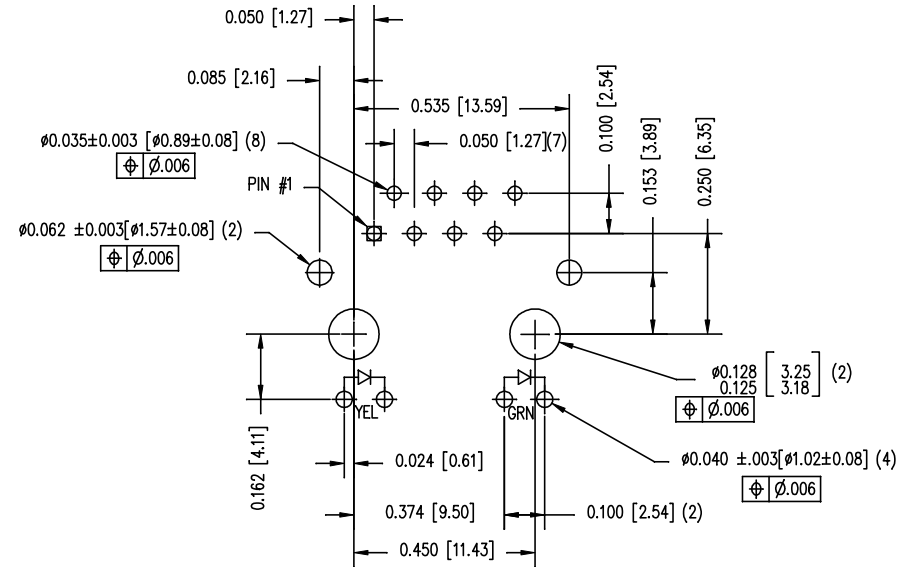
LED POLARITY  
(ENLARGED VIEW)



SINGLE COLOR LED

LED SPECIFICATION			
STANDARD LED	WAVELENGTH	FORWARD V (MAX)	*(TYP)
GREEN	565 nm	2.5 V	2.2 V
YELLOW	590 nm	2.5 V	2.1 V

\*WITH A FORWARD CURRENT OF 20 mA (TYP)

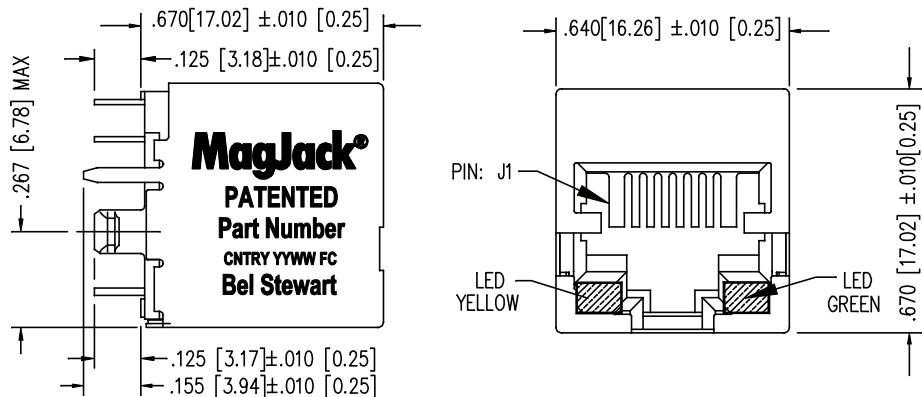


P.C.B. RECOMMENDED HOLE LAYOUT  
SEEN FROM COMPONENT SIDE

ALL CENTERLINE DIMENSIONS ARE BASIC

NOTES:

- CONNECTOR MATERIALS:  
HOUSING: THERMOPLASTIC UL94 V-0  
CONTACT/SHIELD: COPPER ALLOY  
SHIELD PLATING: NICKEL OR TIN  
CONTACT PLATING: SELECTIVE GOLD,  
50 MICRO-INCHES MIN. IN CONTACT AREA.
- PIN NOT ELECTRICALLY CONNECTED MAYBE OMITTED.  
SEE ELECTRICAL DRAWING FOR OMITTED PINS.
- TOLERANCES COMPLY WITH F.C.C. DIMENSION REQUIREMENTS.
- ALL TOLERANCES NOT OTHERWISE SPECIFIED TO BE  $\pm 0.005$  [0.13]
- WAVE SOLDER COMPATIBLE - PREHEAT 125°C/90SECS.



ORIGINATED BY	DATE	TITLE	PART NO. / DRAWING NO.	STANDARD DIM. TOL. IN INCH	[ ] METRIC DIM. AS REFERENCE	
Bain Liu	Jun-03-09	<b>MagJack®</b> 10/100BT VERTICAL, SHIELDED PATENTED	SI-46014-F FILE NAME SI-46014-F.DWG	.X	UNIT : INCH [mm]	
DRAWN BY	DATE			.XX	SCALE : N/A	REV. : A0
Bain Liu	Jun-03-09			.XXX	±0.005	SIZE : A4
					PAGE : 3	

