



Chipsmall Limited consists of a professional team with an average of over 10 year of expertise in the distribution of electronic components. Based in Hongkong, we have already established firm and mutual-benefit business relationships with customers from,Europe,America and south Asia,supplying obsolete and hard-to-find components to meet their specific needs.

With the principle of “Quality Parts,Customers Priority,Honest Operation,and Considerate Service”,our business mainly focus on the distribution of electronic components. Line cards we deal with include Microchip,ALPS,ROHM,Xilinx,Pulse,ON,Everlight and Freescale. Main products comprise IC,Modules,Potentiometer,IC Socket,Relay,Connector.Our parts cover such applications as commercial,industrial, and automotives areas.

We are looking forward to setting up business relationship with you and hope to provide you with the best service and solution. Let us make a better world for our industry!



Contact us

Tel: +86-755-8981 8866 Fax: +86-755-8427 6832

Email & Skype: info@chipsmall.com Web: www.chipsmall.com

Address: A1208, Overseas Decoration Building, #122 Zhenhua RD., Futian, Shenzhen, China



THE INFORMATION CONTAINED HEREIN IS CONSIDERED "PROPRIETARY" TO BEL FUSE INC. AND SHALL NOT BE COPIED, REPRODUCED OR DISCLOSED WITHOUT THE WRITTEN APPROVAL OF BEL FUSE INC.



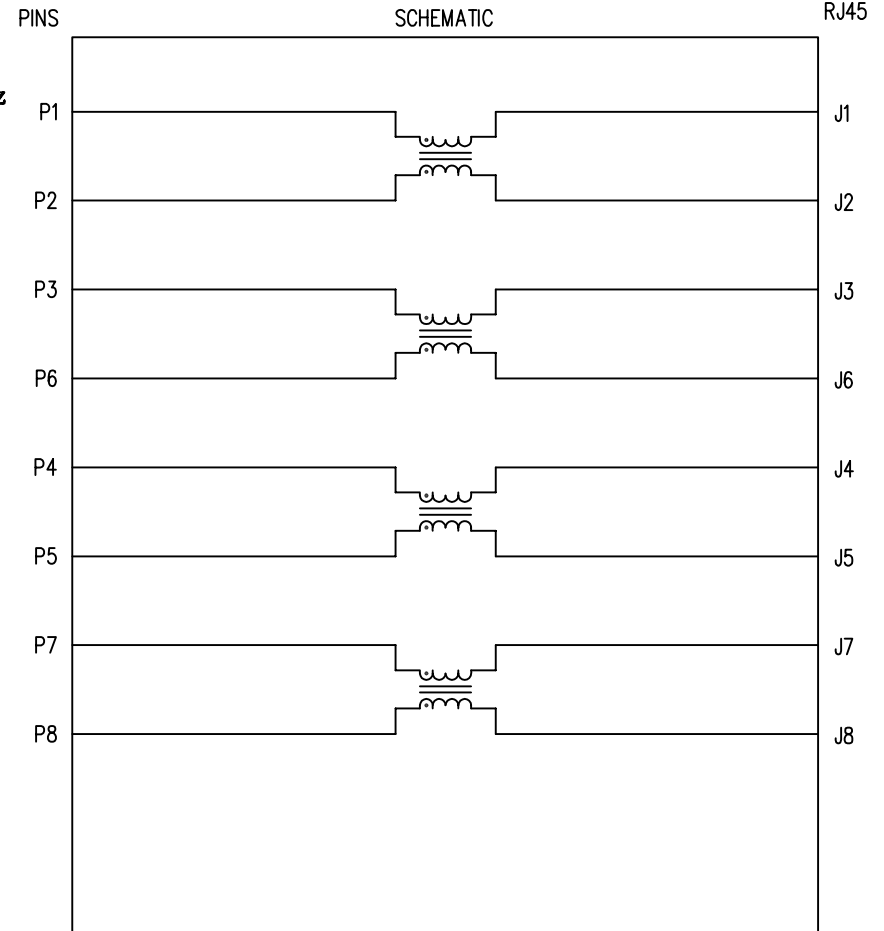
ELECTRICAL CHARACTERISTICS @ 25°C

1.0 INDUCTANCE: (P1-J1):(P3-J3):(P4-J4):(P7-J7) : 65 uH TYP @.05V, 100KHz

2.0 DC RESISTANCE: P8-J8 = P7-J7 : .5 OHM MAX
 P6-J6 = P3-J3 : .5 OHM MAX
 P5-J5 = P4-J4 : .5 OHM MAX
 P2-J2 = P1-J1 : .5 OHM MAX

3.0 COMMON MODE : CMA (-dB)

| FREQUENCY (MHz) | TYPICAL | MIN |
|-----------------|---------|-----|
| 1 | 8 | 5 |
| 5 | 17 | 15 |
| 20 | 23 | 15 |
| 70 | 25 | 20 |
| 200 | 22 | 17 |
| 500 | 11 | 6 |



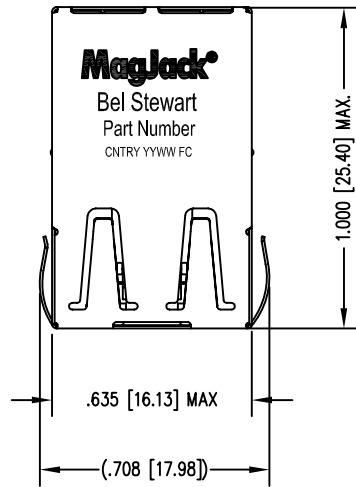
| | | |
|---------------|------------|--------------------------------------|
| ORIGINATED BY | DATE | TITLE |
| Jack Deng | 11-23-2009 | CMC, 1000BT, TAB UP, SHIELDED |
| DRAWN BY | DATE | |
| Jack Deng | 11-23-2009 | |

| | | |
|------------------------|---------------|------------------------------|
| PART NO. / DRAWING NO. | STANDARD DIM. | [] METRIC DIM. AS REFERENCE |
| SI-50184-F | TOL. IN INCH | UNIT : INCH [mm] |
| FILE NAME | .X | REV. : A0 |
| SI-50184-F.DWG | .XX | SCALE : N/A |
| | .XXX ±0.005 | SIZE : A4 |
| | | PAGE : 2 |

| | |
|--|--|
| | |
|--|--|

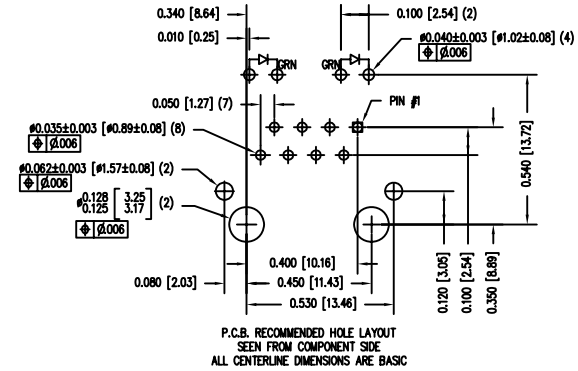
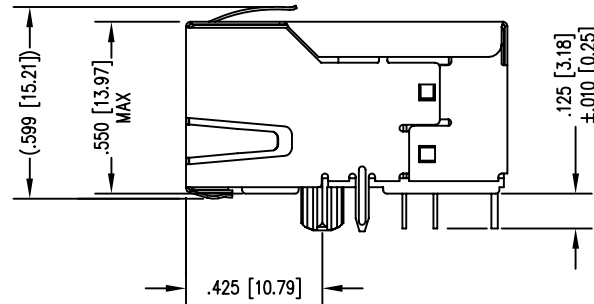
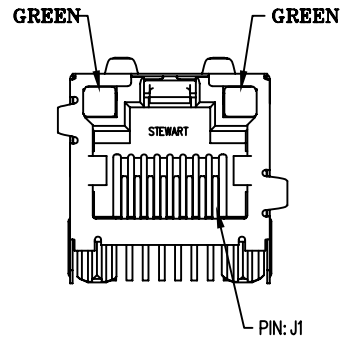


THE INFORMATION CONTAINED HEREIN IS CONSIDERED "PROPRIETARY" TO BEL FUSE INC. AND SHALL NOT BE COPIED, REPRODUCED OR DISCLOSED WITHOUT THE WRITTEN APPROVAL OF BEL FUSE INC.



| LED SPECIFICATION | | | |
|-------------------|------------|-------------------|-------|
| STANDARD LED | WAVELENGTH | * Forward V (MAX) | (TYP) |
| GREEN | 565 nm | 2.5 V | 2.2 V |

*WITH A FORWARD CURRENT OF 20 mA



NOTES:

- CONNECTOR MATERIALS:
HOUSING: THERMOPLASTIC UL94 V-0
CONTACT/SHIELD: COPPER ALLOY
SHIELD PLATING: NICKEL OR TIN
CONTACT PLATING: SELECTIVE GOLD,
50 MICRO-INCHES MIN. IN CONTACT AREA.
- PIN NOT ELECTRICALLY CONNECTED MAYBE OMITTED.
SEE ELECTRICAL DRAWING FOR OMITTED PINS.
- TOLERANCES COMPLY WITH F.C.C. DIMENSION REQUIREMENTS.
- THE SUGGESTED PANEL OPENING IS INTENDED TO GIVE USER THE ABILITY TO HAVE REASONABLE JACK/PANEL CLEARANCES, YET MAINTAIN GROUNDING CAPABILITY.
- WAVE SOLDER COMPATIBLE - PREHEAT 125°C/90SECS.

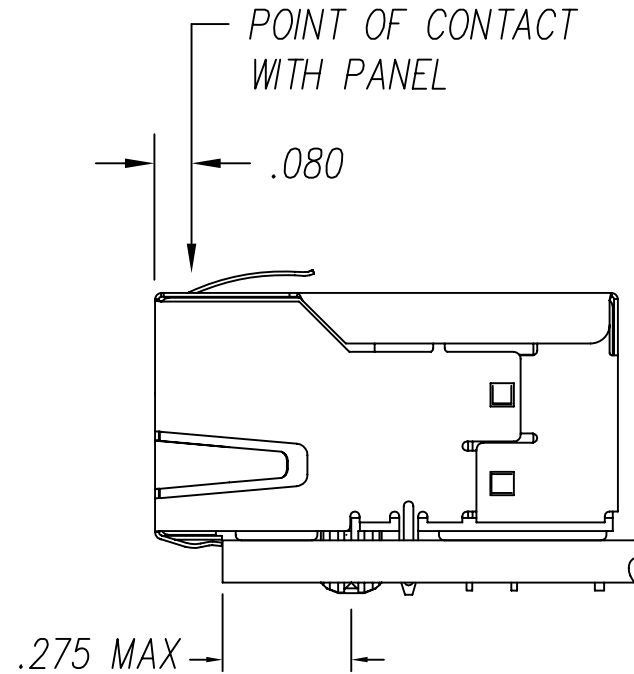
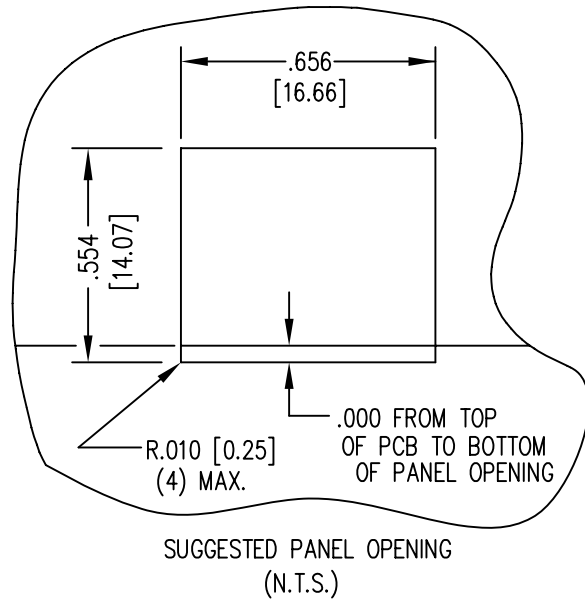
| | | |
|---------------|------------|--|
| ORIGINATED BY | DATE | TITLE |
| Jack Deng | 11-23-2009 | CMC, 1000BT, TAB UP, SHIELDED |
| DRAWN BY | DATE | |
| Jack Deng | 11-23-2009 | |

| | | |
|------------------------|---------------|------------------------------|
| PART NO. / DRAWING NO. | STANDARD DIM. | [] METRIC DIM. AS REFERENCE |
| SI-50184-F | TOL. IN INCH | UNIT : INCH [mm] REV. : A0 |
| FILE NAME | .X | SCALE : N/A SIZE : A4 |
| SI-50184-F.DWG | .XX | ⊕ |
| | .XXX | ±0.005 |

| | |
|--------|---|
| PAGE : | 3 |
|--------|---|



THE INFORMATION CONTAINED HEREIN IS CONSIDERED "PROPRIETARY" TO BEL FUSE INC. AND SHALL NOT BE COPIED, REPRODUCED OR DISCLOSED WITHOUT THE WRITTEN APPROVAL OF BEL FUSE INC.



| | |
|---------------|------------|
| ORIGINATED BY | DATE |
| Jack Deng | 11-23-2009 |
| DRAWN BY | DATE |
| Jack Deng | 11-23-2009 |

| |
|--|
| TITLE |
| MagJack[®] CMC, 1000BT, TAB UP, SHIELDED |

| |
|------------------------|
| PART NO. / DRAWING NO. |
| SI-50184-F |
| FILE NAME |
| SI-50184-F.DWG |

| |
|----------------------------|
| STANDARD DIM. TOL. IN INCH |
| .X |
| .XX |
| .XXX ±0.005 |

| | |
|------------------------------|-----------|
| [] METRIC DIM. AS REFERENCE | REV. : A0 |
| UNIT : INCH [mm] | SIZE : A4 |
| SCALE : N/A | PAGE : 4 |

