



Chipsmall Limited consists of a professional team with an average of over 10 year of expertise in the distribution of electronic components. Based in Hongkong, we have already established firm and mutual-benefit business relationships with customers from,Europe,America and south Asia,supplying obsolete and hard-to-find components to meet their specific needs.

With the principle of "Quality Parts,Customers Priority,Honest Operation,and Considerate Service",our business mainly focus on the distribution of electronic components. Line cards we deal with include Microchip,ALPS,ROHM,Xilinx,Pulse,ON,Everlight and Freescale. Main products comprise IC,Modules,Potentiometer,IC Socket,Relay,Connector.Our parts cover such applications as commercial,industrial, and automotives areas.

We are looking forward to setting up business relationship with you and hope to provide you with the best service and solution. Let us make a better world for our industry!



Contact us

Tel: +86-755-8981 8866 Fax: +86-755-8427 6832

Email & Skype: info@chipsmall.com Web: www.chipsmall.com

Address: A1208, Overseas Decoration Building, #122 Zhenhua RD., Futian, Shenzhen, China



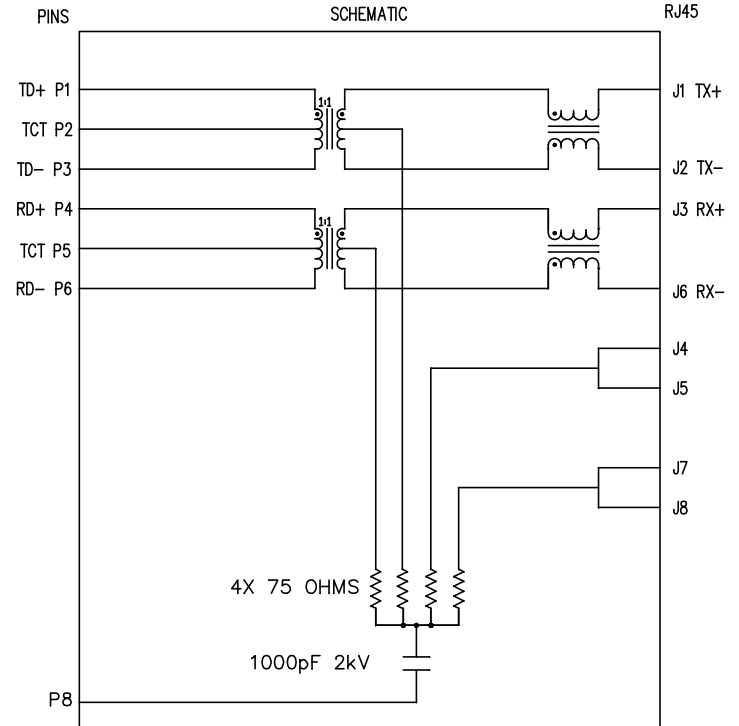
THE INFORMATION CONTAINED HEREIN IS CONSIDERED "PROPRIETARY" TO BEL FUSE INC. AND SHALL NOT BE COPIED, REPRODUCED OR DISCLOSED WITHOUT THE WRITTEN APPROVAL OF BEL FUSE INC.

RoHS



ELECTRICAL CHARACTERISTICS @ 25°C

1.0	URNS RATIO: (P6-P5-P4) : (J6-J3) (P3-P2-P1) : (J2-J1)	: 1CT : 1CT ± 3% : 1CT : 1CT ± 3%
2.0	INDUCTANCE: (P6-P4) (P3-P1)	: 350uH MIN. @ 0.1V, 100KHz, 8mA DC Bias : 350uH MIN. @ 0.1V, 100KHz, 8mA DC Bias
3.0	LEAKAGE INDUCTANCE: P6-P4 (WITH J6 AND J3 SHORT) P3-P1 (WITH J2 AND J1 SHORT)	: 0.3uH MAX. @ 1MHz : 0.3uH MAX. @ 1MHz
4.0	INTERWINDING CAPACITANCE: (P6,P5,P4) TO (J6,J3) (P3,P2,P1) TO (J2,J1)	: 30pF MAX @ 1MHz : 30pF MAX. @ 1MHz
5.0	DC RESISTANCE: (J6-J3)=(J2-J1)	: 1.2 ohms Max.
<u>RECEIVE</u>		
6.0	RETURN LOSS: 1MHz TO 30MHz 60MHz TO 80MHz	: 18dB MIN. : 12dB MIN.
NOTE: 100 OHMS CONNECTED TO (J2-J1) OR (J6-J3).		
7.0	DIELECTRIC WITHSTAND: (J1, J2) TO (P1, P3) (J3, J6) TO (P4,P6)	: 1500 Vrms : 1500 Vrms
8.0	INSERTION LOSS: RS=RL=100 ohms 100KHz TO 100MHz	: 1.1 dB TYP
9.0	RISE TIME: RS=100 OHMS AND RL = 100 OHMS OUTPUT VOLTAGE = 1 V peak PULSE WIDTH= 112nS	: 3.0 nS MAX : 3.0 nS MAX
10.0	CROSS TALK: 1MHz TO 100MHz	: 40 dB TYP
11.0	COMMON TO COMMON MODE ATTENUATION: 30MHz TO 100MHz	: 35 dB TYP



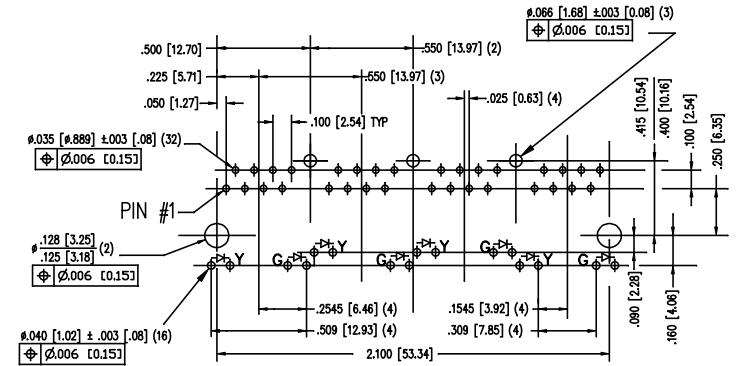
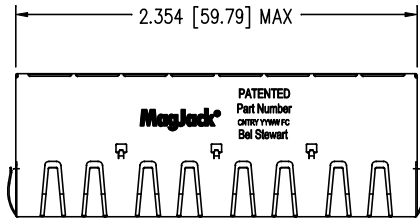
NOTES

1.0 PINS WITHOUT ELECTRICAL CONNECTION ARE OMITTED.

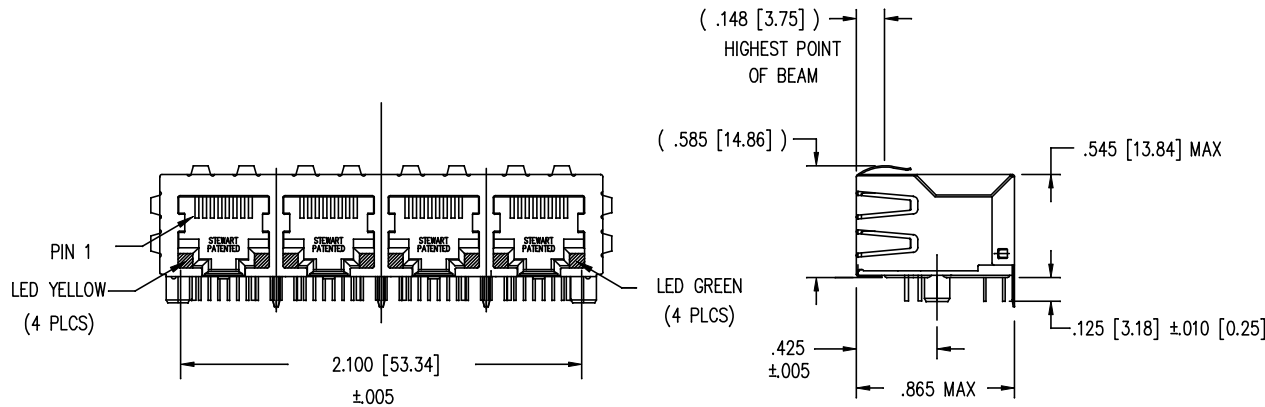
ORIGINATED BY Zeng Xiaochun	DATE 2011-12-08	TITLE MagJack® 10/100BT, SHIELDED PATENTED	PART NO. / DRAWING NO. SI-60065-F		STANDARD DIM. TOL. IN INCH		[] METRIC DIM. AS REFERENCE		bel COMPONENTS FOR A CONNECTED PLANET
			FILE NAME SI-60065-F.DWG		.X		UNIT : INCH [mm]	REV. : A0	
DRAWN BY Duan Jun	DATE 2011-12-08				.XX		SCALE : N/A	SIZE : A4	
					.XXX	±0.005		PAGE : 2	

THE INFORMATION CONTAINED HEREIN IS CONSIDERED "PROPRIETARY" TO BEL FUSE INC. AND SHALL NOT BE COPIED, REPRODUCED OR DISCLOSED WITHOUT THE WRITTEN APPROVAL OF BEL FUSE INC.

RoHS



P.C.B. RECOMMENDED HOLE LAYOUT
SEEN FROM COMPONENT SIDE
ALL CENTERLINE DIMENSIONS ARE BASIC



LED SPECIFICATIONS			
STANDARD LED	FORWARD VOLTAGE (MAX)	* FORWARD VOLTAGE (TYP)	WAVELENGTH
YELLOW	2.5 V	2.1 V	590 nm
GREEN	2.6 V	2.25 V	555 nm

* WITH A FORWARD CURRENT OF 20 mA (TYP)

NOTES:

- CONNECTOR MATERIALS:
HOUSING: THERMOPLASTIC UL94 V-0
CONTACT/SHIELD: COPPER ALLOY
SHIELD PLATING: NICKEL OR TIN
CONTACT PLATING: 50 MICRO-INCH SELECTIVE HARD GOLD PLATING OR EQUIVALENT IN CONTACT AREA
- PIN NOT ELECTRICALLY CONNECTED MAYBE OMITTED. SEE ELECTRICAL DRAWING FOR OMITTED PINS.
- TOLERANCES COMPLY WITH F.C.C. DIMENSION REQUIREMENTS.
- ALL TOLERANCES NOT OTHERWISE SPECIFIED TO BE ±.005 [0.13]
- WAVE SOLDER COMPATIBLE - PREHEAT 125° C/90SECS.

ORIGINATED BY	DATE
Zeng Xiaochun	2011-12-08
DRAWN BY	DATE
Duan Jun	2011-12-08

TITLE	MagJack®
	10/100BT, SHIELDED
	PATENTED

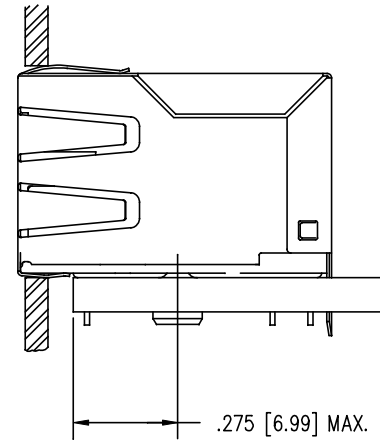
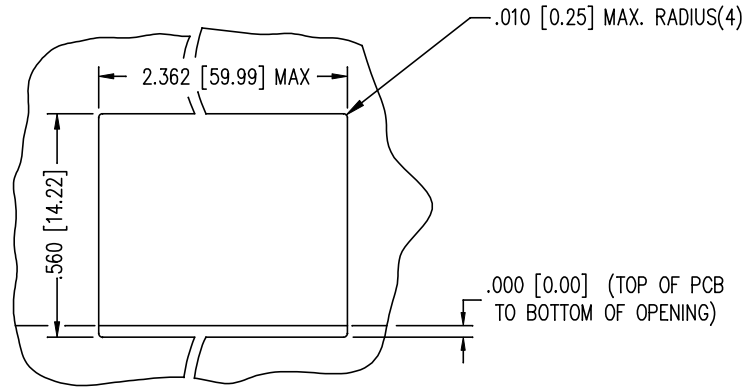
PART NO. / DRAWING NO.	SI-60065-F
FILE NAME	SI-60065-F.DWG

STANDARD DIM.	[] METRIC DIM. AS REFERENCE
TOL. IN INCH	UNIT : INCH [mm]
.X	REV. : A0
.XX	SCALE : N/A
.XXX	±0.005
	SIZE : A4
	PAGE : 3



THE INFORMATION CONTAINED HEREIN IS CONSIDERED "PROPRIETARY" TO BEL FUSE INC. AND SHALL NOT BE COPIED, REPRODUCED OR DISCLOSED WITHOUT THE WRITTEN APPROVAL OF BEL FUSE INC.

RoHS



NOTES:

1. THE SUGGESTED PANEL OPENING IS INTENDED TO GIVE USER THE ABILITY TO HAVE REASONABLE JACK/PANEL CLEARANCES, YET MAINTAIN GROUNDING CAPABILITY. THESE VARIABLES CAN BE ADJUSTED IN EITHER DIRECTION BUT MAY CARRY SOME CONSEQUENCES IN THE FORM OF LOWER MATING FORCES OR TIGHTER ASSEMBLY TOLERANCES.
2. ALL TOLERANCES NOT OTHERWISE SPECIFIED TO BE ± 0.005 [0.13]

ORIGINATED BY	DATE	TITLE	PART NO. / DRAWING NO.	STANDARD DIM.	[] METRIC DIM. AS REFERENCE	
Zeng Xiaochun	2011-12-08	MagJack® 10/100BT, SHIELDED PATENTED	SI-60065-F	TOL. IN INCH	UNIT : INCH [mm]	REV. : A0
DRAWN BY	DATE		FILE NAME	.X	SCALE : N/A	SIZE : A4
Duan Jun	2011-12-08		SI-60065-F.DWG	.XX		PAGE : 4
				.XXX		± 0.005

