



Chipsmall Limited consists of a professional team with an average of over 10 year of expertise in the distribution of electronic components. Based in Hongkong, we have already established firm and mutual-benefit business relationships with customers from,Europe,America and south Asia,supplying obsolete and hard-to-find components to meet their specific needs.

With the principle of “Quality Parts,Customers Priority,Honest Operation,and Considerate Service”,our business mainly focus on the distribution of electronic components. Line cards we deal with include Microchip,ALPS,ROHM,Xilinx,Pulse,ON,Everlight and Freescale. Main products comprise IC,Modules,Potentiometer,IC Socket,Relay,Connector.Our parts cover such applications as commercial,industrial, and automotives areas.

We are looking forward to setting up business relationship with you and hope to provide you with the best service and solution. Let us make a better world for our industry!



## Contact us

Tel: +86-755-8981 8866 Fax: +86-755-8427 6832

Email & Skype: info@chipsmall.com Web: www.chipsmall.com

Address: A1208, Overseas Decoration Building, #122 Zhenhua RD., Futian, Shenzhen, China

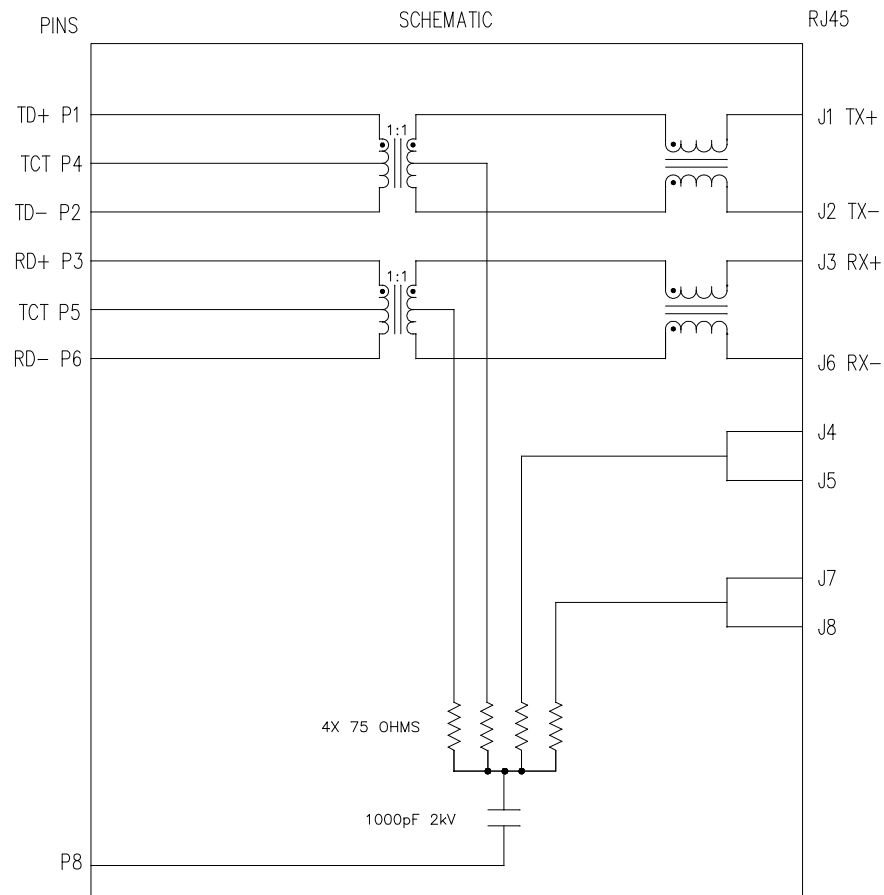


THE INFORMATION CONTAINED HEREIN IS CONSIDERED "PROPRIETARY" TO BEL FUSE INC. AND SHALL NOT BE COPIED, REPRODUCED OR DISCLOSED WITHOUT THE WRITTEN APPROVAL OF BEL FUSE INC.



**ELECTRICAL CHARACTERISTICS @ 25°C**

- 1.0 TURNS RATIO: (P3-P5-P6) : (J3-J6) : 1CT : 1CT± 3%  
(P1-P4-P2) : (J1-J2) : 1CT : 1CT ± 3%
  - 2.0 INDUCTANCE: (P1-P2) : 350uH MIN. @ 0.1V, 100KHz, 8mA DC Bias  
(P3-P6) : 350uH MIN. @ 0.1V, 100KHz, 8mA DC Bias
  - 3.0 LEAKAGE INDUCTANCE: P6-P3 (WITH J6 AND J3 SHORT) : 0.3 MAX. @ 1MHz  
P2-P1 (WITH J2 AND J1 SHORT) : 0.3 MAX. @ 1MHz
  - 4.0 INTERWINDING CAPACITANCE: (P6,P5,P3) TO (J6,J3) : 30pf MAX @ 1MHz  
(P2,P4,P1) TO (J2,J1) : 30pf MAX. @ 1MHz
  - 5.0 DC RESISTANCE: (J6-J3)=(J2-J1) : 1.2 ohms Max.
- RECEIVE
- 6.0 RETURN LOSS: (P6-P4)=100 OHMS AND (P1-P2)=100 OHM REF.  
1MHz TO 30MHz : 18dB MIN.  
60MHz TO 80MHz : 12dB MIN.
- NOTE: 100 OHMS CONNECTED TO (J2-J1) OR (J6-J3).
- 7.0 DIELECTRIC WITHSTAND: (J1, J2) TO (P1, P2) : 1500 Vrms  
(J3, J6) TO (P3, P6) : 1500 Vrms
  - 8.0 INSERTION LOSS: RS=RL=100 ohms  
100KHz TO 100MHz : 1.1 dB TYP
  - 9.0 RISE TIME: RS=100 OHMS AND RL = 100 OHMS  
OUTPUT VOLTAGE = 1 V peak : 3.0 nS MAX  
PULSE WIDTH= 112nS : 3.0 nS MAX
  - 10.0 CROSS TALK: 1MHz TO 100MHz : 40 dB TYP
  - 11.0 COMMON TO COMMON MODE ATTENUATION: 30MHz TO 100MHz : 35dB TYP
  - 12.0 OPERATING TEMPERATURE : 0°C TO 70°C



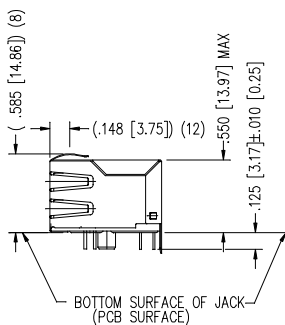
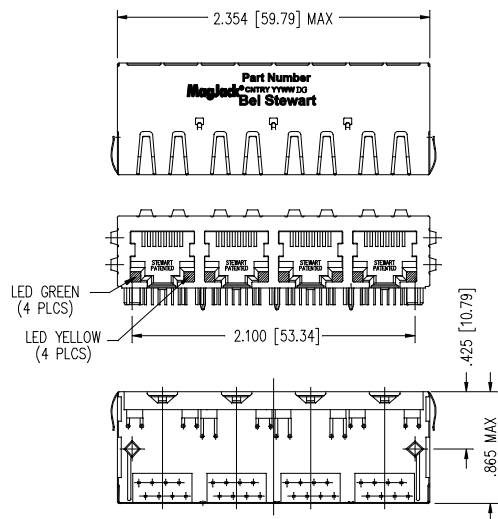
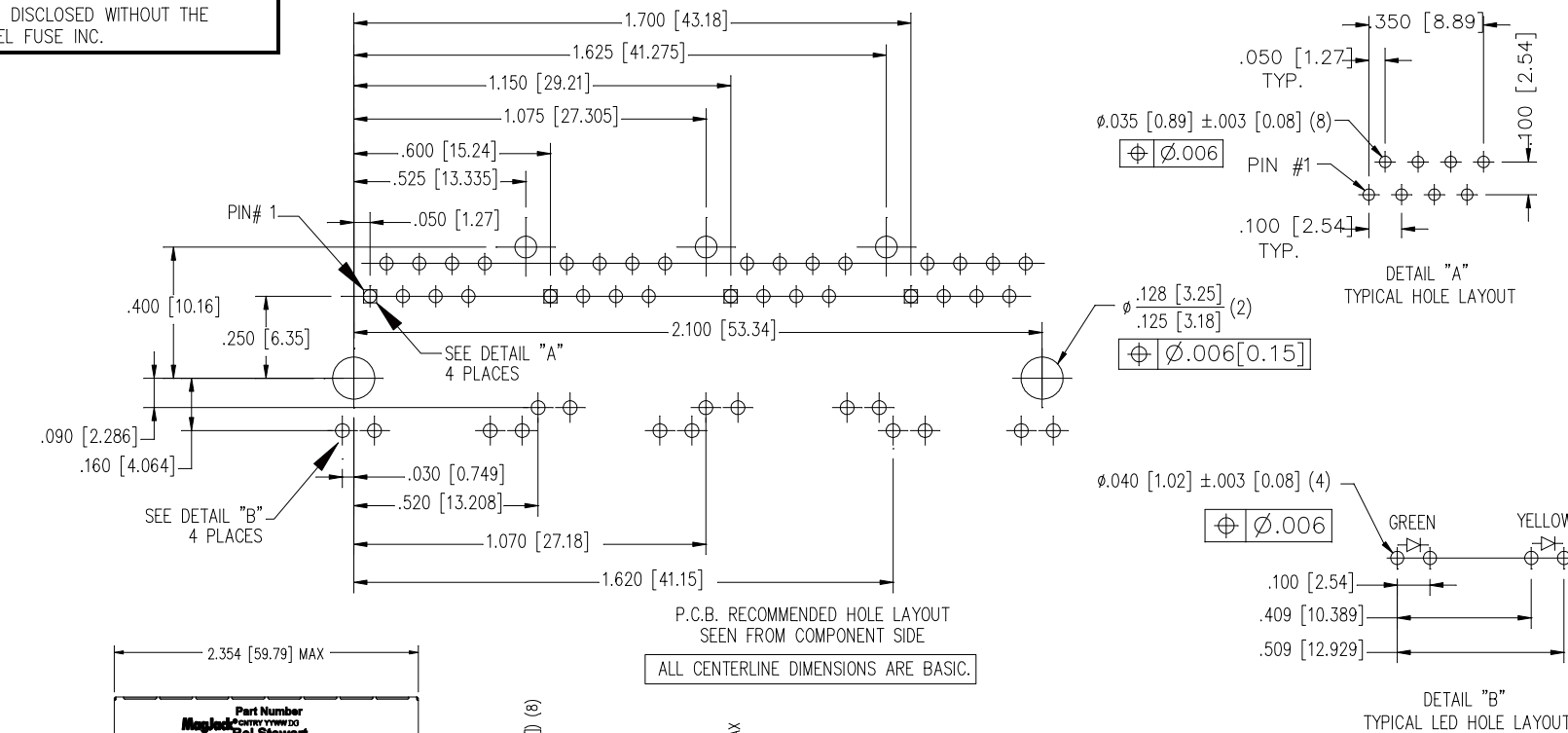
NOTES

1.0 PINS WITHOUT ELECTRICAL CONNECTION ARE OMITTED.

|                           |                  |                                |                                      |                               |                              |                            |
|---------------------------|------------------|--------------------------------|--------------------------------------|-------------------------------|------------------------------|----------------------------|
| ORIGINATED BY<br>Bain Liu | DATE<br>09-27-08 | TITLE<br><b>MagJack®</b>       | PART NO. / DRAWING NO.<br>SI-60066-F | STANDARD DIM.<br>TOL. IN INCH | [ ] METRIC DIM. AS REFERENCE | <br>COMPONENTS OR A PLANET |
| DRAWN BY<br>LW Yuan       | DATE<br>09-27-08 | 10/100BT<br>TAB DOWN, SHIELDED | FILE NAME<br>SI-60066-F.DWG          | .X                            | UNIT : INCH [mm]             |                            |
|                           |                  |                                |                                      | .XX                           | SCALE : N/A                  |                            |
|                           |                  |                                |                                      | .XXX                          | ±0.005                       | REV. : A0                  |
|                           |                  |                                |                                      |                               |                              | SIZE : A4                  |
|                           |                  |                                |                                      |                               |                              | PAGE : 1                   |

THE INFORMATION CONTAINED HEREIN IS CONSIDERED "PROPRIETARY" TO BEL FUSE INC. AND SHALL NOT BE COPIED, REPRODUCED OR DISCLOSED WITHOUT THE WRITTEN APPROVAL OF BEL FUSE INC.

RoHS  
2002/95/EC



| STANDARD LED | WAVELENGTH | Forward V (MAX) | * (TYP) |
|--------------|------------|-----------------|---------|
| YELLOW       | 590 nm     | 2.5 V           | 2.1 V   |
| GREEN        | 565 nm     | 2.5 V           | 2.2 V   |

\* WITH A FORWARD CURRENT OF 20 mA (TYP)

NOTES:

- CONNECTOR MATERIALS:  
HOUSING: THERMOPLASTIC UL94 V-0  
CONTACT/SHIELD: COPPER ALLOY  
SHIELD PLATING: NICKEL OR TIN  
CONTACT PLATING: SELECTIVE GOLD,  
50 MICRO-INCHES MIN. IN CONTACT AREA.
- PIN NOT ELECTRICALLY CONNECTED MAYBE OMITTED.  
SEE ELECTRICAL DRAWING FOR OMITTED PINS.
- TOLERANCES COMPLY WITH F.C.C. DIMENSION REQUIREMENTS.
- ALL TOLERANCES NOT OTHERWISE SPECIFIED TO BE ±0.005 [0.13]
- REFLOW AND WAVE SOLDER COMPATIBLE -260°C FOR  
10 SECONDS MAX.

ORIGINATED BY  
Bain Liu

DATE  
09-27-08

DRAWN BY  
LW Yuan

DATE  
09-27-08

TITLE  
**MagJack**  
10/100BT  
TAB DOWN, SHIELDED

PART NO. / DRAWING NO.  
SI-60066-F

FILE NAME  
SI-60066-F.DWG

STANDARD DIM.  
TOL. IN INCH

|      |        |
|------|--------|
| .X   |        |
| .XX  |        |
| .XXX | ±0.005 |

[ ] METRIC DIM. AS REFERENCE  
UNIT : INCH [mm]

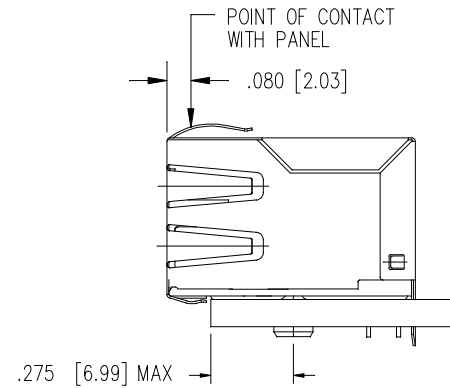
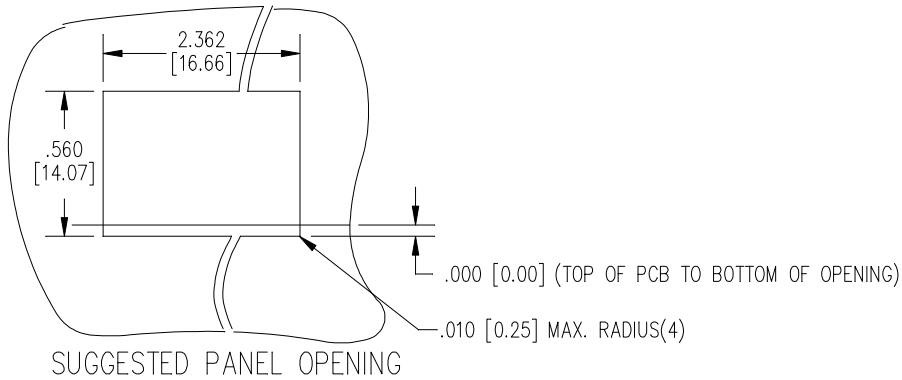
SCALE : N/A

REV. : A0  
SIZE : A4  
PAGE : 2



THE INFORMATION CONTAINED HEREIN IS CONSIDERED "PROPRIETARY" TO BEL FUSE INC. AND SHALL NOT BE COPIED, REPRODUCED OR DISCLOSED WITHOUT THE WRITTEN APPROVAL OF BEL FUSE INC.

RoHS  
2002/95/EC



1. THE SUGGESTED PANEL OPENING IS INTENDED TO GIVE THE USER THE ABILITY TO HAVE REASONABLE JACK / PANEL CLEARANCES YET MAINTAIN RELIABLE GROUNDING CAPABILITY.
2. ALL TOLERANCES NOT OTHERWISE SPECIFIED TO BE  $\pm 0.005$  [0.13]

|                           |                  |  |   |                               |                                     |  |
|---------------------------|------------------|--|---|-------------------------------|-------------------------------------|--|
| ORIGINATED BY<br>Bain Liu | DATE<br>09-27-08 | TITLE<br><b>MagJack®</b><br>10/100BT<br>TAB DOWN, SHIELDED | PART NO. / DRAWING NO.<br>SI-60066-F  | STANDARD DIM.<br>TOL. IN INCH | [ ] METRIC DIM. AS REFERENCE        | bel<br>COMPONENTS FOR A<br>CONNECTED<br>PLANET |
| DRAWN BY<br>LW Yuan       | DATE<br>09-27-08 |  | FILE NAME<br>SI-60066-F.DWG   | .X<br>.XX<br>.XXX             | UNIT : INCH [mm]<br>SCALE : N/A<br> |  |
| REV A1 06-30-2008         |                  |  | This document is electronically generated. This is a controlled copy if used internally |                               |                                     |  |