



Chipsmall Limited consists of a professional team with an average of over 10 year of expertise in the distribution of electronic components. Based in Hongkong, we have already established firm and mutual-benefit business relationships with customers from,Europe,America and south Asia,supplying obsolete and hard-to-find components to meet their specific needs.

With the principle of “Quality Parts,Customers Priority,Honest Operation,and Considerate Service”,our business mainly focus on the distribution of electronic components. Line cards we deal with include Microchip,ALPS,ROHM,Xilinx,Pulse,ON,Everlight and Freescale. Main products comprise IC,Modules,Potentiometer,IC Socket,Relay,Connector.Our parts cover such applications as commercial,industrial, and automotives areas.

We are looking forward to setting up business relationship with you and hope to provide you with the best service and solution. Let us make a better world for our industry!



## Contact us

Tel: +86-755-8981 8866 Fax: +86-755-8427 6832

Email & Skype: info@chipsmall.com Web: www.chipsmall.com

Address: A1208, Overseas Decoration Building, #122 Zhenhua RD., Futian, Shenzhen, China



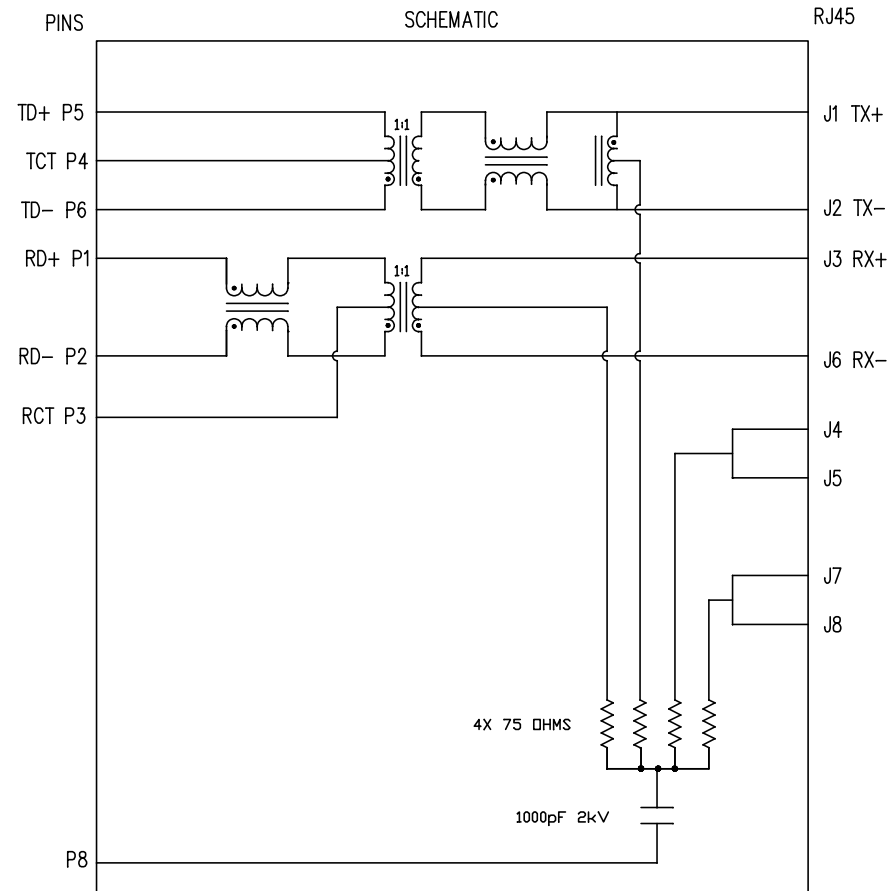
THE INFORMATION CONTAINED HEREIN IS CONSIDERED "PROPRIETARY" TO BEL FUSE INC. AND SHALL NOT BE COPIED, REPRODUCED OR DISCLOSED WITHOUT THE WRITTEN APPROVAL OF BEL FUSE INC.

RoHS  
2002/95/EC



**ELECTRICAL CHARACTERISTICS @ 25°C**

- 1.0 TURNS RATIO: (P2-P3-P1) : (J6-J3) : 1CT : 1CT ± 3%  
(P6-P4-P5) : (J2-J1) : 1CT : 1CT ± 3%
- 2.0 INDUCTANCE: (P6-P5) : 350uH MIN. @ 0.1V, 100KHz, 8mA DC Bias  
(J6-J3) : 350uH MIN. @ 0.1V, 100KHz, 8mA DC Bias
- 3.0 LEAKAGE INDUCTANCE: P6-P5 (WITH J2 AND J1 SHORT) : 0.3uH MAX. @ 1MHz  
P2-P1 (WITH J6 AND J3 SHORT) : 0.3uH MAX. @ 1MHz
- 4.0 INTERWINDING CAPACITANCE: (P2,P3,P1) TO (J6,J3) : 25pF MAX @ 1MHz  
(P6,P4,P5) TO (J2,J1) : 25pF MAX. @ 1MHz
- 5.0 DC RESISTANCE: (P2-P1) : 1.2 ohms Max.  
(J2-J1) : 1.2 ohms Max.
- 6.0 RETURN LOSS: (P6-P4)=100 OHMS AND (P1-P3)=100 OHM REF.  
1MHz TO 30MHz : -18dB MIN.  
60MHz TO 80MHz : -12dB MIN.  
  
NOTE: 100 OHMS CONNECTED TO (J2-J1) OR (J6-J3).
- 7.0 DIELECTRIC WITHSTAND: (J1, J2) TO (P6, P5) : 1500 Vrms  
(J3, J6) TO (P2, P1) : 1500 Vrms
- 8.0 INSERTION LOSS: RS=RL=100 ohms : -1.1 dB TYP  
100KHz TO 100MHz
- 9.0 RISE TIME: RS=100 OHMS AND RL = 100 OHMS : 3.0 nS MAX  
OUTPUT VOLTAGE = 1 V peak : 3.0 nS MAX  
PULSE WIDTH= 112nS
- 10.0 CROSS TALK: 1MHz TO 100MHz : -35 dB TYP
- 11.0 COMMON TO COMMON MODE ATTENUATION: 1MHz TO 100MHz : -45 dB TYP



ORIGINATED BY	DATE
Bain Liu	08-31-09
DRAWN BY	DATE
Bain Liu	08-31-09

TITLE	<b>MagJack®</b> 10/100BT TAB DOWN, SHIELDED PATENTED
-------	---

PART NO. / DRAWING NO.	SI-60076-F
FILE NAME	SI-60076-F.DWG

STANDARD DIM.	[ ] METRIC DIM. AS REFERENCE
TOL. IN INCH	UNIT : INCH [mm]
.X	SCALE : N/A
.XX	REV. : A0
.XXX	SIZE : A4
±0.005	PAGE : 2

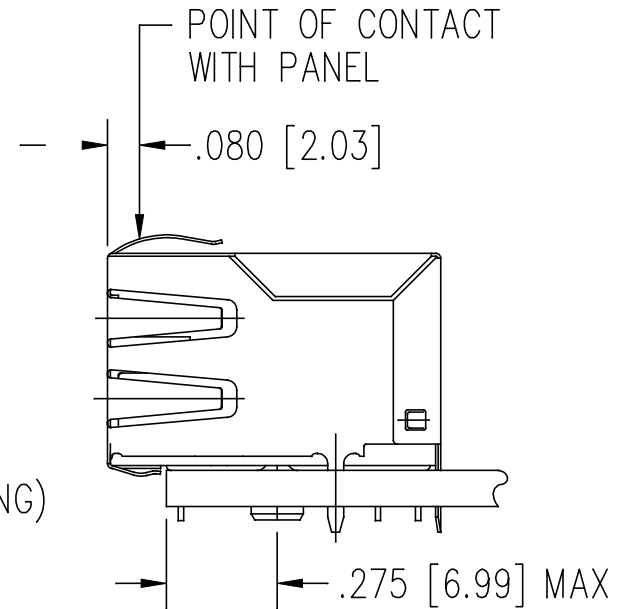
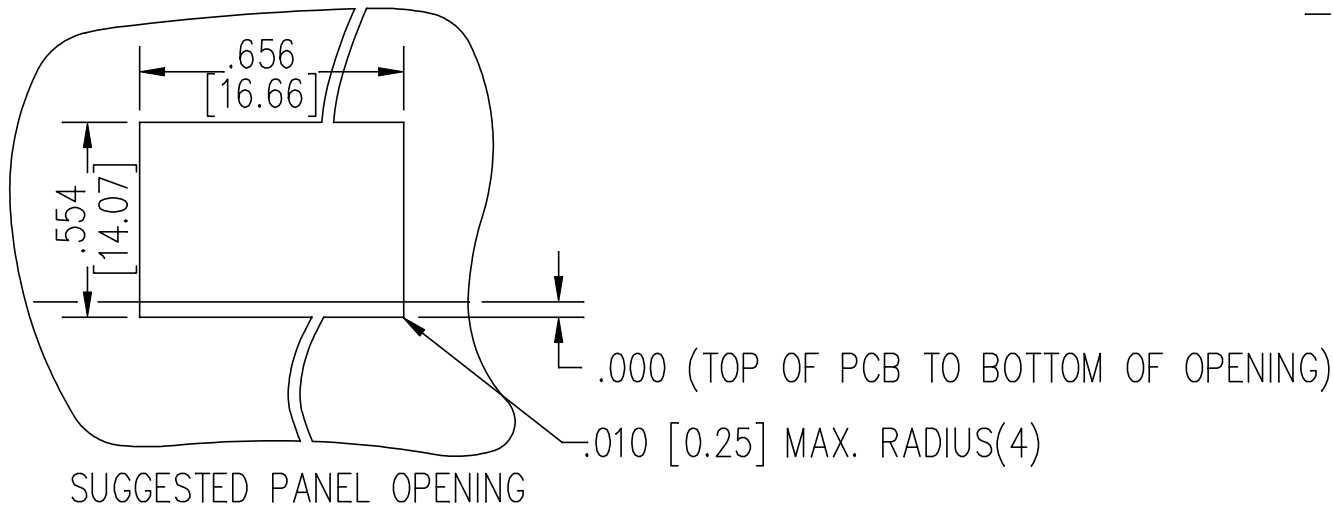
UNIT : INCH [mm]	REV. : A0
SCALE : N/A	SIZE : A4
PAGE : 2	





THE INFORMATION CONTAINED HEREIN IS CONSIDERED "PROPRIETARY" TO BEL FUSE INC. AND SHALL NOT BE COPIED, REPRODUCED OR DISCLOSED WITHOUT THE WRITTEN APPROVAL OF BEL FUSE INC.

RoHS  
2002/95/EC



1. THE SUGGESTED PANEL OPENING IS INTENDED TO GIVE THE USER THE ABILITY TO HAVE REASONABLE JACK / PANEL CLEARANCES YET MAINTAIN RELIABLE GROUNDING CAPABILITY.
2. ALL TOLERANCES NOT OTHERWISE SPECIFIED TO BE  $\pm 0.005$  [0.13]

ORIGINATED BY <b>Bain Liu</b>	DATE <b>08-31-09</b>	TITLE <b>MagJack® 10/100BT TAB DOWN, SHIELDED PATENTED</b>	PART NO. / DRAWING NO. <b>SI-60076-F</b>	STANDARD DIM. TOL. IN INCH .X .XX .XXX $\pm 0.005$	[ ] METRIC DIM. AS REFERENCE UNIT : INCH [mm] SCALE : N/A 	REV. : <b>A0</b> SIZE : <b>A4</b> PAGE : <b>4</b>	 COMPONENTS FOR A CONNECTED PLANET
DRAWN BY <b>Bain Liu</b>	DATE <b>08-31-09</b>		FILE NAME <b>SI-60076-F.DWG</b>				