



Chipsmall Limited consists of a professional team with an average of over 10 year of expertise in the distribution of electronic components. Based in Hongkong, we have already established firm and mutual-benefit business relationships with customers from,Europe,America and south Asia,supplying obsolete and hard-to-find components to meet their specific needs.

With the principle of “Quality Parts,Customers Priority,Honest Operation,and Considerate Service”,our business mainly focus on the distribution of electronic components. Line cards we deal with include Microchip,ALPS,ROHM,Xilinx,Pulse,ON,Everlight and Freescale. Main products comprise IC,Modules,Potentiometer,IC Socket,Relay,Connector.Our parts cover such applications as commercial,industrial, and automotives areas.

We are looking forward to setting up business relationship with you and hope to provide you with the best service and solution. Let us make a better world for our industry!



## Contact us

Tel: +86-755-8981 8866 Fax: +86-755-8427 6832

Email & Skype: info@chipsmall.com Web: www.chipsmall.com

Address: A1208, Overseas Decoration Building, #122 Zhenhua RD., Futian, Shenzhen, China



THE INFORMATION CONTAINED HEREIN IS CONSIDERED "PROPRIETARY" TO BEL FUSE INC. AND SHALL NOT BE COPIED, REPRODUCED OR DISCLOSED WITHOUT THE WRITTEN APPROVAL OF BEL FUSE INC.

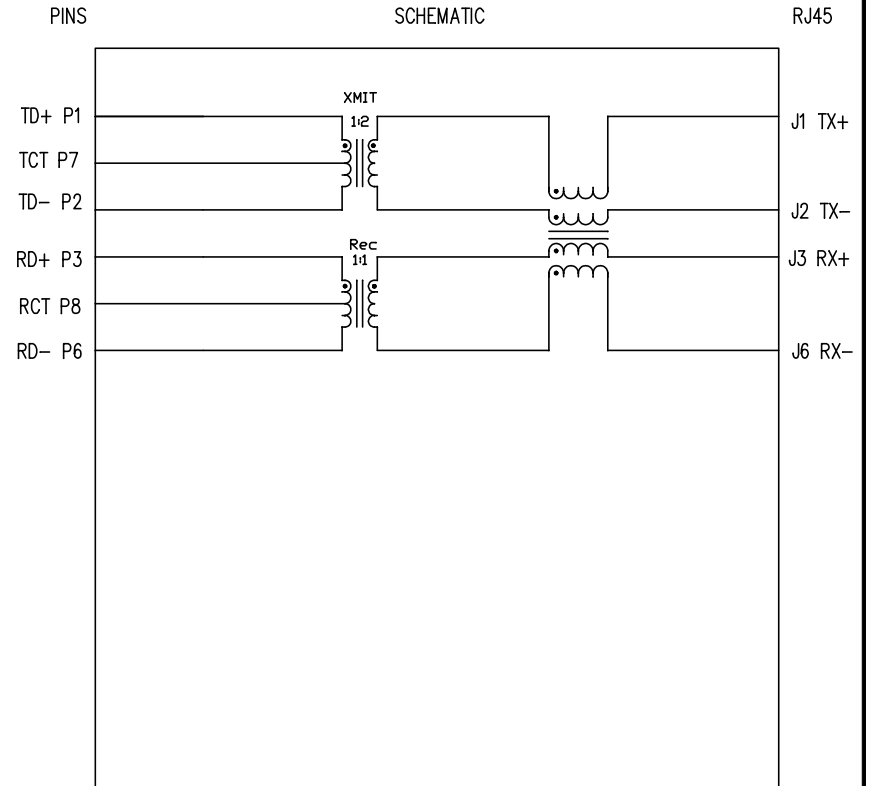
RoHS  
2002/95/EC



### ELECTRICAL CHARACTERISTICS @ 25°C

#### ELECTRICAL SPECIFICATIONS:

1.0 TURNS RATIO (P6-P8-P3) : (J6-J3)	: 1CT : 1 ± 3%
(P2-P7-P1) : (J2-J1)	: 1CT : 2 ± 3%
2.0 INDUCTANCE (P6-P3)=(J6-J3)	: 98uH MIN. @ 0.01V, 10KHz
(P2-P1)	: 18uH MIN. @ 0.01V, 10KHz
3.0 LEAKAGE INDUCTANCE P6-P3 (WITH J6 AND J3 SHORT)	: 0.3uH MAX. @ 1MHz
P2-P1 (WITH J2 AND J1 SHORT)	: 0.08uH MAX. @ 1MHz
4.0 INTERWINDING CAPACITANCE (P6,P3) TO (J6,J3)	: 8pF MAX @ 1MHz
(P2,P1) TO (J2,J1)	: 6pF MAX. @ 1MHz
5.0 DC RESISTANCE (J6-J3)=(J2-J1)	: 0.7 ohms Max.
(P6-P8)=(P8-P3)	: 0.3 ohms Max.
(P2-P7)=(P7-P1)	: 0.3 ohms Max.
6.0 DIELECTRIC WITHSTAND (P6,P3) TO (J6,J3)	: 1500Vrms
(P2,P1) TO (J2,J1)	: 1500Vrms



#### NOTES

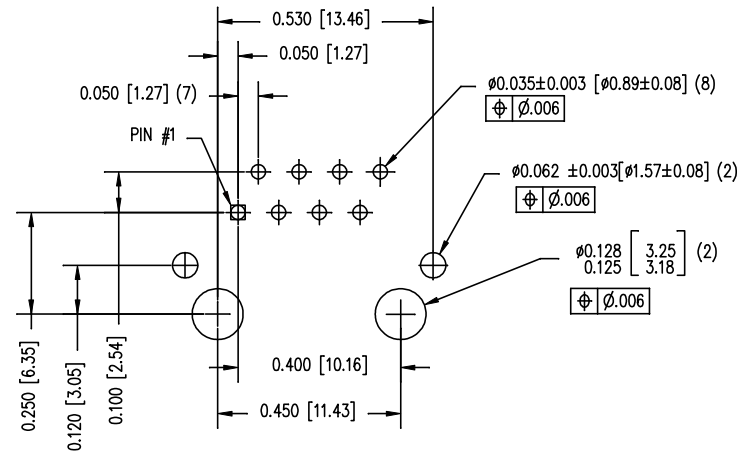
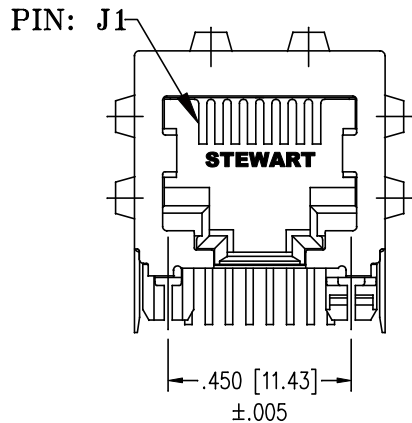
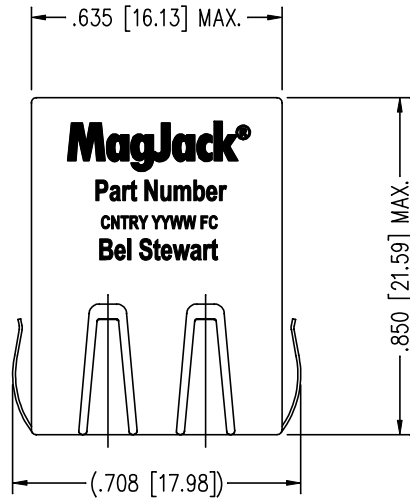
1.0 PINS WITHOUT ELECTRICAL CONNECTION ARE OMITTED.

2.0 Ref. MG06

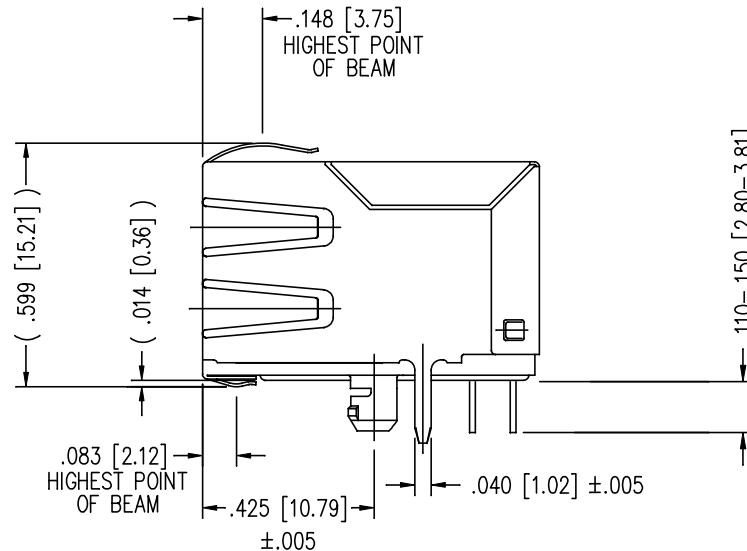
ORIGINATED BY <b>ZL WANG</b>	DATE <b>10-27-09</b>	TITLE <b>MagJack® 10BT TAB DOWN, SHIELDED</b>	PART NO. / DRAWING NO. <b>SI-60124-F</b>	STANDARD DIM. TOL. IN INCH	[ ] METRIC DIM. AS REFERENCE		 COMPONENTS FOR A CONNECTED PLANET
DRAWN BY <b>RS ZHANG</b>	DATE <b>10-27-09</b>	FILE NAME <b>SI-60124-F.DWG</b>	.X	UNIT : INCH [mm]	REV. : <b>A1</b>		
			.XX	SCALE : <b>N/A</b>	SIZE : <b>A4</b>		
			.XXX ±0.005		PAGE : <b>2</b>		

THE INFORMATION CONTAINED HEREIN IS CONSIDERED "PROPRIETARY" TO BEL FUSE INC. AND SHALL NOT BE COPIED, REPRODUCED OR DISCLOSED WITHOUT THE WRITTEN APPROVAL OF BEL FUSE INC.

RoHS  
2002/95/EC



P.C.B. RECOMMENDED HOLE LAYOUT  
SEEN FROM COMPONENT SIDE  
ALL CENTERLINE DIMENSIONS ARE BASIC



NOTES:

- CONNECTOR MATERIALS:  
HOUSING: THERMOPLASTIC UL94 V-0  
CONTACT/SHIELD: COPPER ALLOY  
SHIELD PLATING: NICKEL OR TIN  
CONTACT PLATING: SELECTIVE GOLD,  
50 MICRO-INCHES MIN. IN CONTACT AREA.
- PIN NOT ELECTRICALLY CONNECTED MAYBE OMITTED.  
SEE ELECTRICAL DRAWING FOR OMITTED PINS.
- TOLERANCES COMPLY WITH F.C.C. DIMENSION REQUIREMENTS.
- ALL TOLERANCES NOT OTHERWISE SPECIFIED TO BE ±.005 [0.13]
- WAVE SOLDER COMPATIBLE - PREHEAT 125°C/90SECS.

ORIGINATED BY	DATE
ZL WANG	10-27-09
DRAWN BY	DATE
RS ZHANG	10-27-09

TITLE
<b>MagJack®</b> 10BT TAB DOWN, SHIELDED

PART NO. / DRAWING NO.
SI-60124-F
FILE NAME
SI-60124-F.DWG

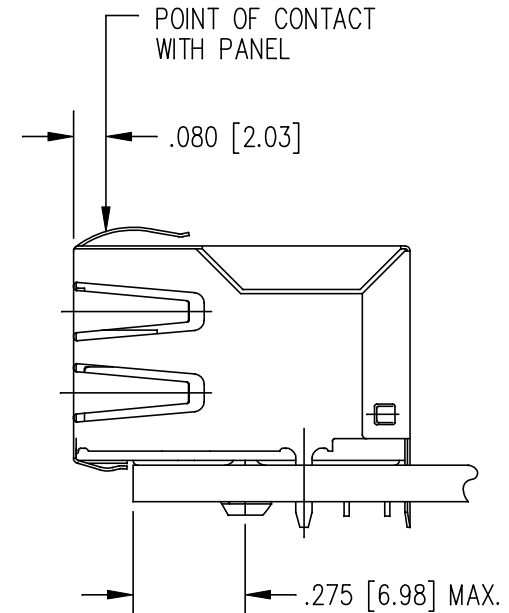
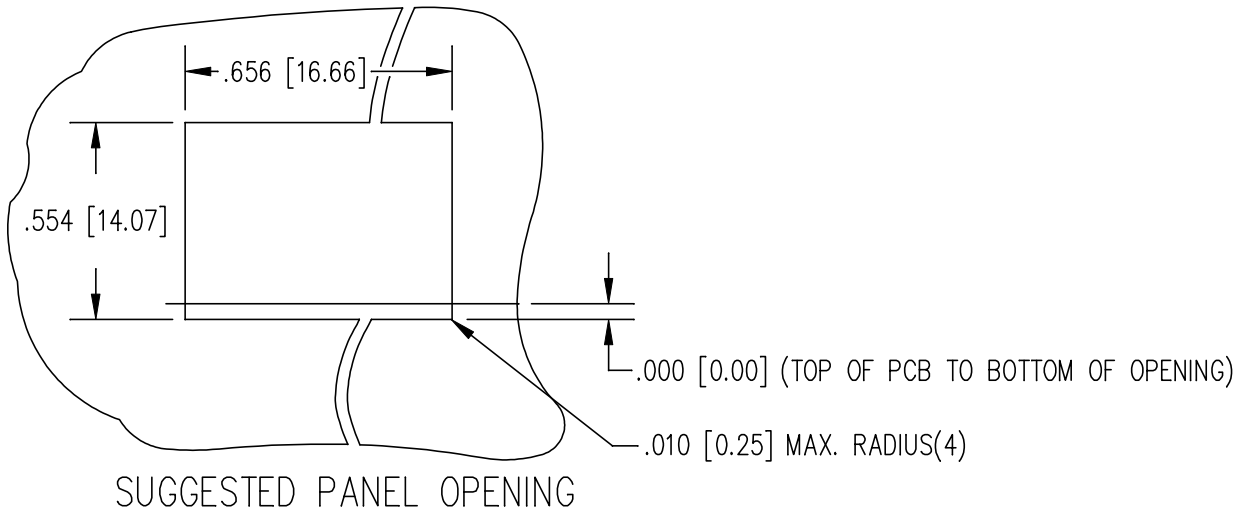
STANDARD DIM.	[ ] METRIC DIM. AS REFERENCE
TOL. IN INCH	UNIT : INCH [mm]
.X	REV. : A1
.XX	SCALE : N/A
.XXX	SIZE : A4
±0.005	PAGE : 3

[ ] METRIC DIM. AS REFERENCE
UNIT : INCH [mm]
REV. : A1
SCALE : N/A
SIZE : A4
PAGE : 3



THE INFORMATION CONTAINED HEREIN IS CONSIDERED "PROPRIETARY" TO BEL FUSE INC. AND SHALL NOT BE COPIED, REPRODUCED OR DISCLOSED WITHOUT THE WRITTEN APPROVAL OF BEL FUSE INC.

RoHS  
2002/95/EC



1. THE SUGGESTED PANEL OPENING IS INTENDED TO GIVE THE USER THE ABILITY TO HAVE REASONABLE JACK / PANEL CLEARANCES YET MAINTAIN RELIABLE GROUNDING CAPABILITY.
2. ALL TOLERANCES NOT OTHERWISE SPECIFIED TO BE  $\pm 0.005$  [0.13]

ORIGINATED BY <b>ZL WANG</b>	DATE <b>10-27-09</b>	TITLE <b>MagJack® 10BT TAB DOWN, SHIELDED</b>	PART NO. / DRAWING NO. <b>SI-60124-F</b>	STANDARD DIM. TOL. IN INCH	[ ] METRIC DIM. AS REFERENCE	 COMPONENTS FOR A CONNECTED PLANET
DRAWN BY <b>RS ZHANG</b>	DATE <b>10-27-09</b>	FILE NAME <b>SI-60124-F.DWG</b>	.X	UNIT : INCH [mm]	REV. : <b>A1</b>	
			.XX	SCALE : <b>N/A</b>	SIZE : <b>A4</b>	
			.XXX	$\pm 0.005$	PAGE : <b>4</b>	