



Chipsmall Limited consists of a professional team with an average of over 10 year of expertise in the distribution of electronic components. Based in Hongkong, we have already established firm and mutual-benefit business relationships with customers from,Europe,America and south Asia,supplying obsolete and hard-to-find components to meet their specific needs.

With the principle of "Quality Parts,Customers Priority,Honest Operation,and Considerate Service",our business mainly focus on the distribution of electronic components. Line cards we deal with include Microchip,ALPS,ROHM,Xilinx,Pulse,ON,Everlight and Freescale. Main products comprise IC,Modules,Potentiometer,IC Socket,Relay,Connector.Our parts cover such applications as commercial,industrial, and automotives areas.

We are looking forward to setting up business relationship with you and hope to provide you with the best service and solution. Let us make a better world for our industry!



Contact us

Tel: +86-755-8981 8866 Fax: +86-755-8427 6832

Email & Skype: info@chipsmall.com Web: www.chipsmall.com

Address: A1208, Overseas Decoration Building, #122 Zhenhua RD., Futian, Shenzhen, China



THE INFORMATION CONTAINED HEREIN IS CONSIDERED "PROPRIETARY" TO BEL FUSE INC. AND SHALL NOT BE COPIED, REPRODUCED OR DISCLOSED WITHOUT THE WRITTEN APPROVAL OF BEL FUSE INC.

RoHS
2002/95/EC



ELECTRICAL CHARACTERISTICS @ 25°C

URNS RATIO

TP1	1CT : 1CT ±2%
TP2	1CT : 1CT ±2%
TP3	1CT : 1CT ±2%
TP4	1CT : 1CT ±2%

□CL @ 100kHz/100mVRMS

8mA DC BIAS 350μH MIN.

DC RESISTANCE:

(RJ1-RJ2);(RJ3-RJ6)	1.4 ohms Max.
(RJ4-RJ5);(RJ7-RJ8)	1.4 ohms Max.

INS. LOSS

100KHz TO 100MHZ -1.1 dB MAX

RET. LOSS (MIN)

1MHz-30MHz	-18 dB
30MHz-100MHz	-12+20LOG(f/80MHz) dB

CROSS TALK:

1MHz - 60MHz	-35 dB MIN
60Hz - 100MHz	-25 dB MIN

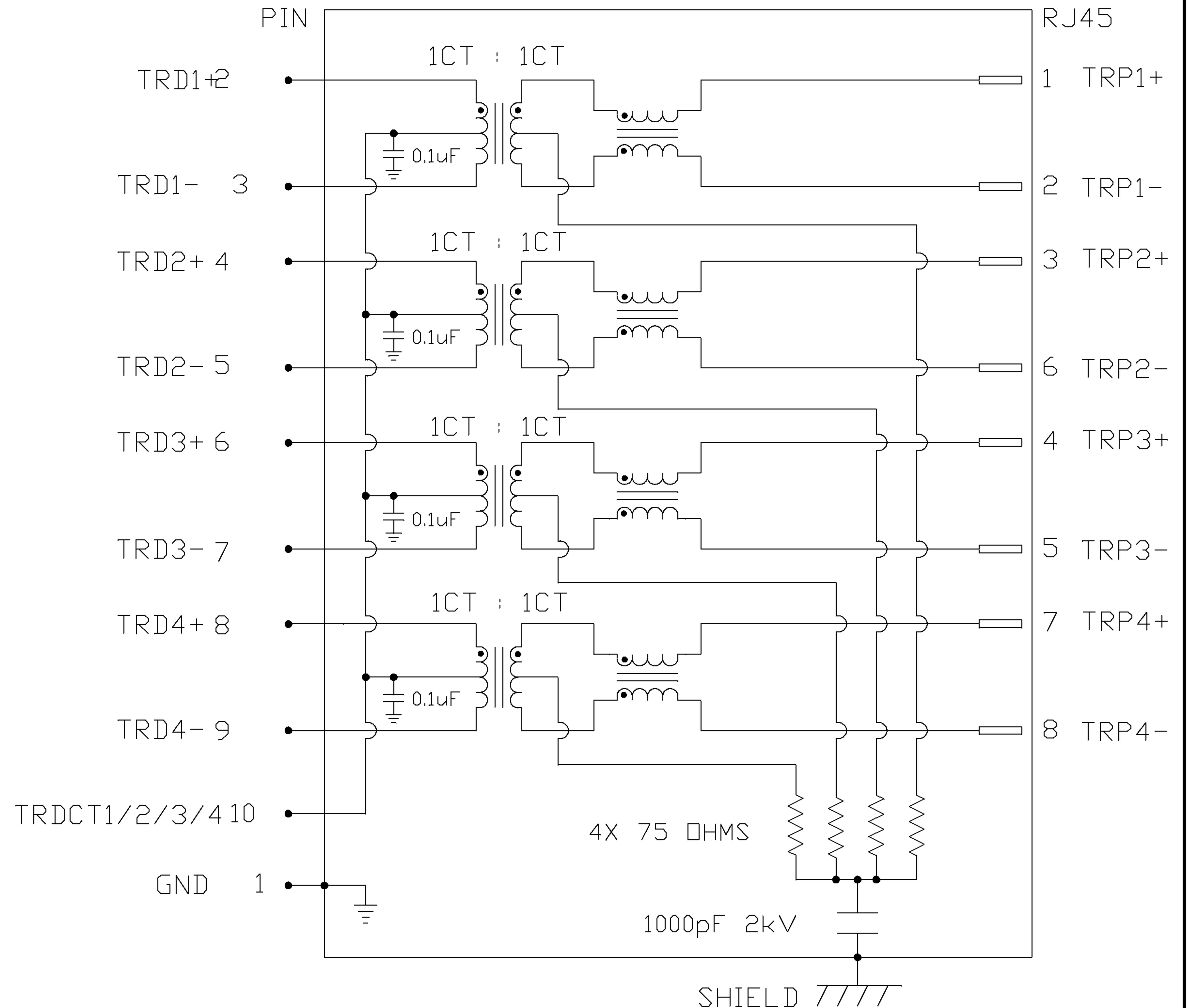
CM TO CM REJ

100kHz - 100MHz -35 dB MIN

HIPOT (Isolation Voltage): 1500 Vrms

100% OF PRODUCTION TESTED TO COMPLY WITH IEEE 802.3 ISOLATION REQUIREMENTS.

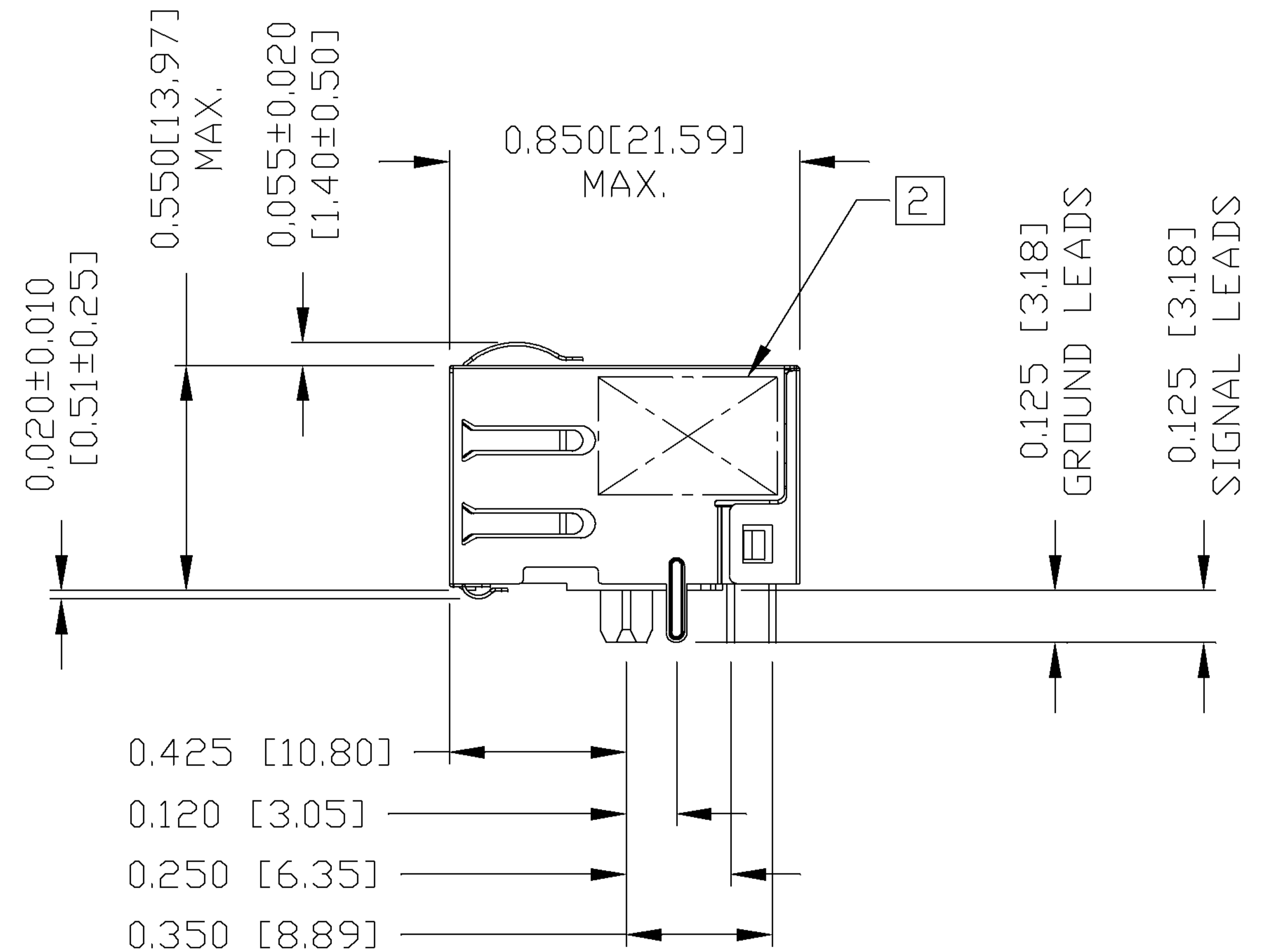
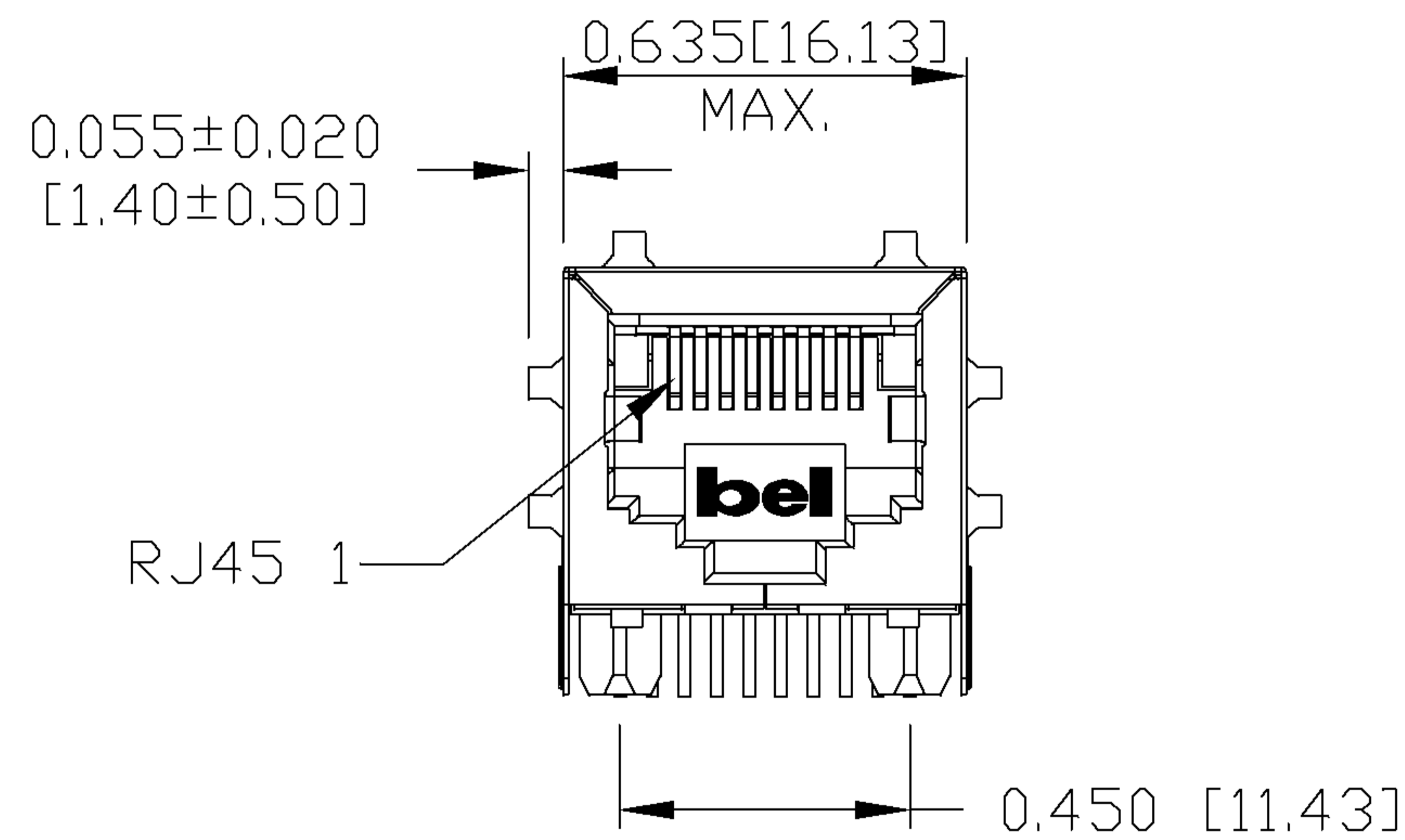
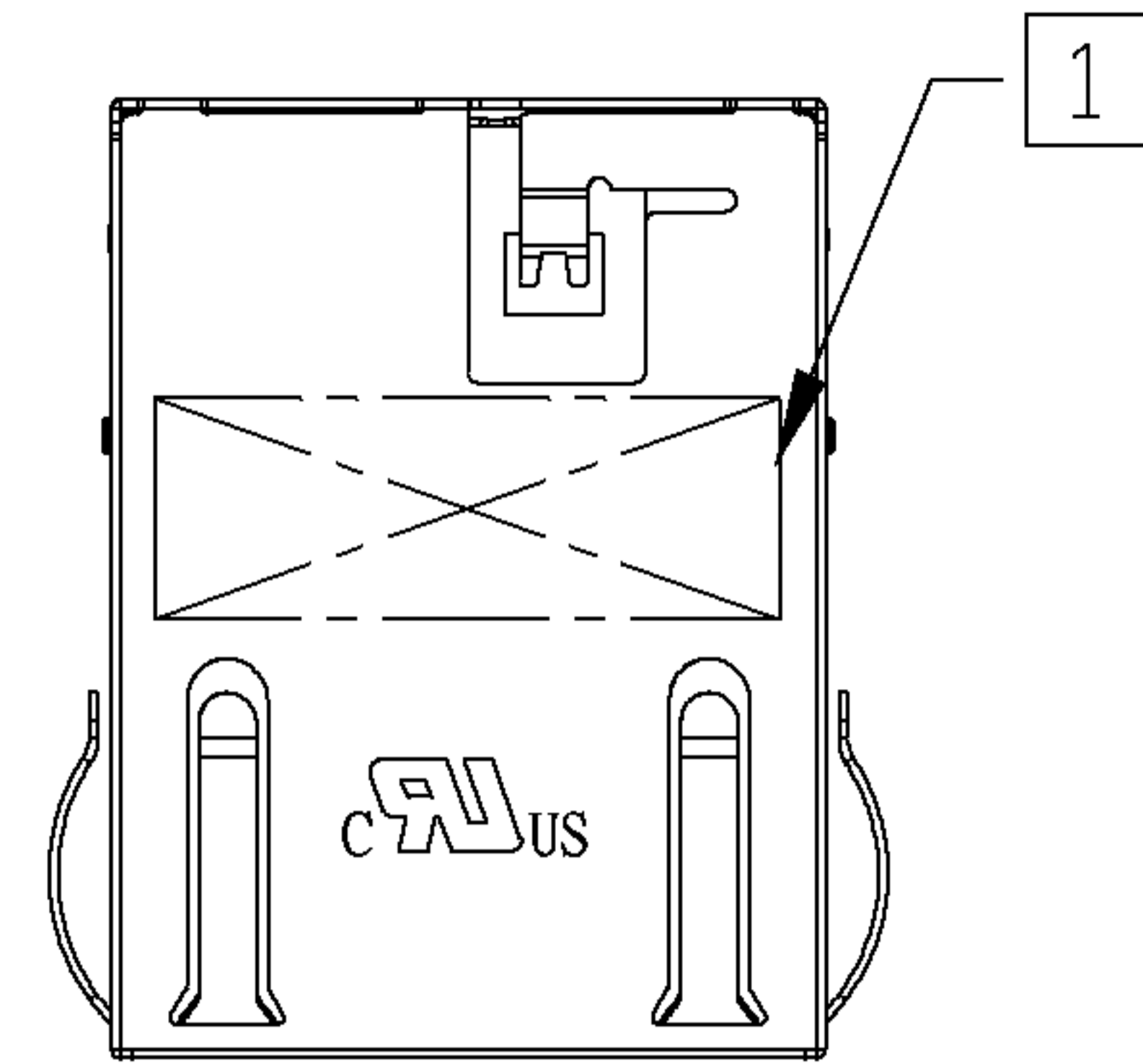
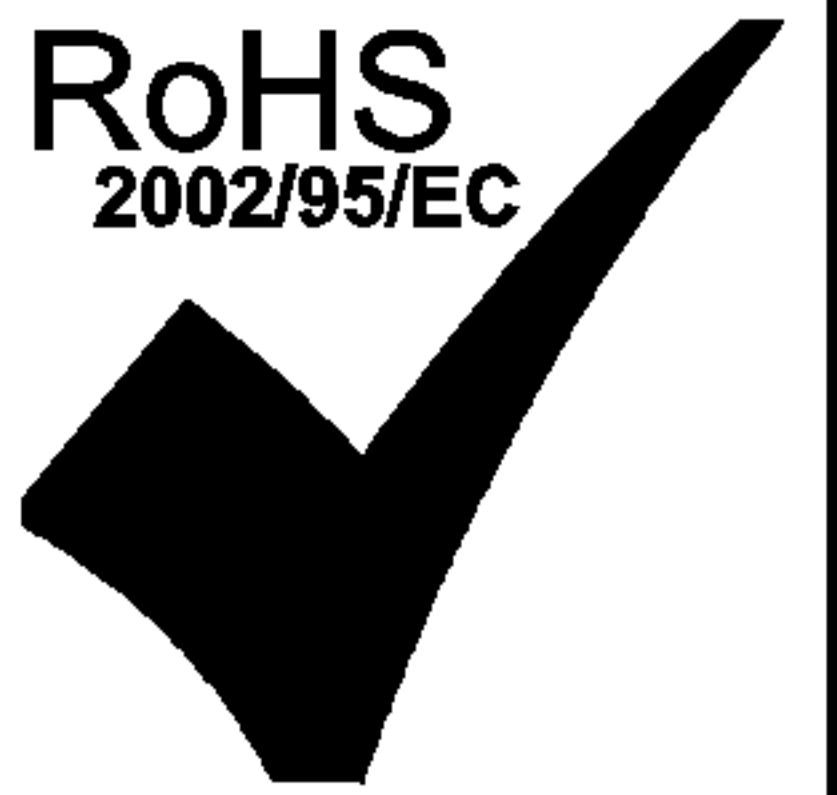
SCHEMATIC



ORIGINATED BY CHOW WANCHUNG	DATE 03-21-08	TITLE Gigabit MagJack®	PART NO. / DRAWING NO. SI-61007-F	STANDARD DIM. TOL. IN INCH	[] METRIC DIM. AS REFERENCE	 COMPONENTS FOR A CONNECTED PLANET	
DRAWN BY LI YONGFENG	DATE 03-21-08		FILE NAME SI-61007-F_A.DWG	.X	UNIT : INCH [mm]		REV. : A
				.XX	SCALE : N/A		SIZE : A4
				.XXX		PAGE : 2	

THE INFORMATION CONTAINED HEREIN IS CONSIDERED "PROPRIETARY" TO BEL FUSE INC. AND SHALL NOT BE COPIED, REPRODUCED OR DISCLOSED WITHOUT THE WRITTEN APPROVAL OF BEL FUSE INC.

RoHS
2002/95/EC



NOTES:

PLASTIC HOUSING: THERMOPLASTIC PBT
FLAMMABILITY RATING UL 94V-0
CONTACTS PLATING: 50 MICRO-INCH HARD GOLD PLATING
PINS: TIN-COATED COPPER WIRE, DIA 0.018 INCH.
METAL SHIELD: NICKEL PLATED ON COPPER ALLOY.
(ALL GROUND LEADS ARE SOLDER DIPPED)

1 MARK PART WITH MFG PART NUMBER(SI-61007-F), DATE CODE.

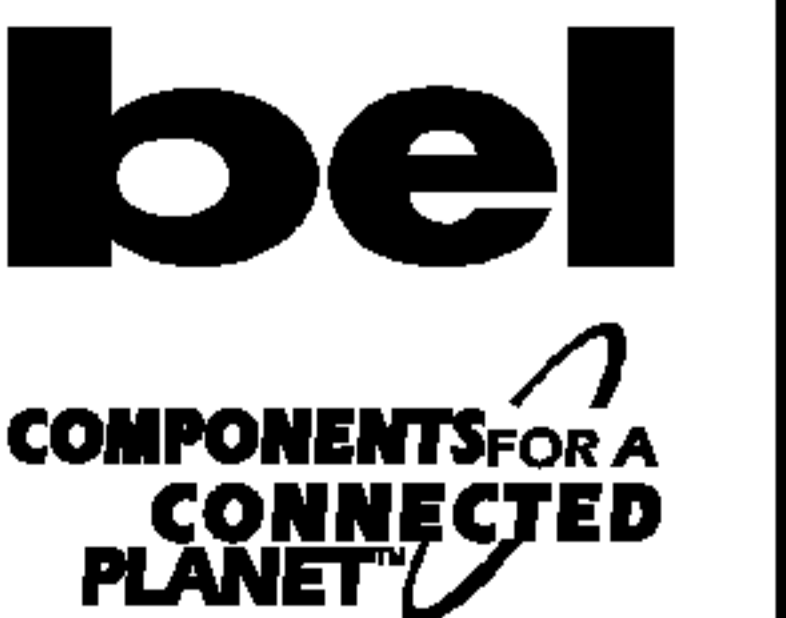
2 MARK PART WITH MFG LOGO, MFG NAME.

3. JACK CAVITY CONFORMS TO FCC RULES AND REGULATIONS

4. RoHS COMPLIANCE, PER EU DIRECTIVE 2002/95/EC.

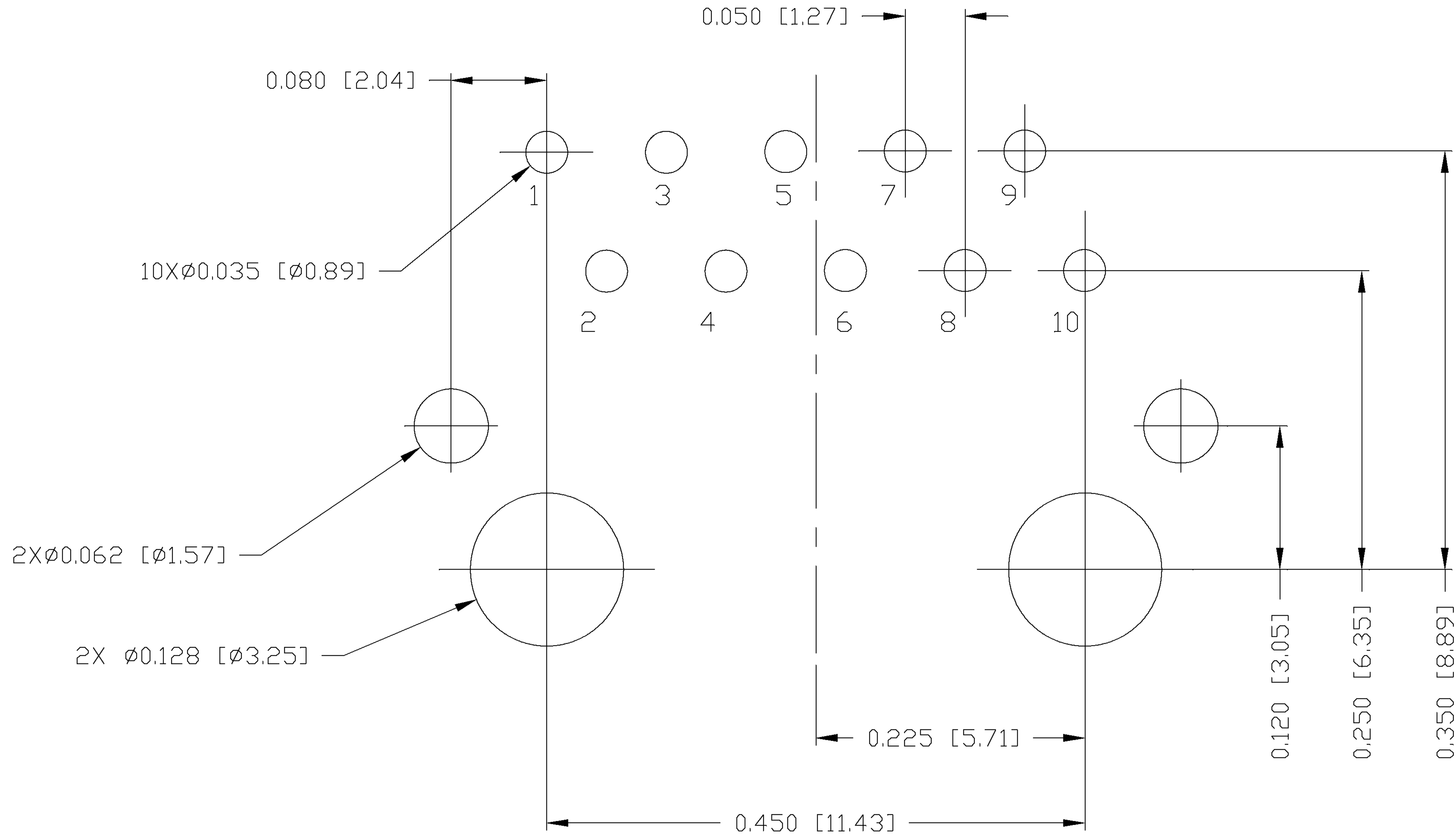
UL RECOGNIZED - FILE #E132408.

ORIGINATED BY BILL CHEN	DATE 03-21-08	TITLE Gigabit MagJack®	PART NO. / DRAWING NO. SI-61007-F	STANDARD DIM. TOL. IN INCH	[] METRIC DIM. AS REFERENCE	
DRAWN BY SALLY LUD	DATE 03-21-08		FILE NAME SI-61007-F_A.DWG	.X .XX .XXX	±0.010	UNIT : INCH [mm] SCALE : N/A



THE INFORMATION CONTAINED HEREIN IS CONSIDERED "PROPRIETARY" TO BEL FUSE INC. AND SHALL NOT BE COPIED, REPRODUCED OR DISCLOSED WITHOUT THE WRITTEN APPROVAL OF BEL FUSE INC.

RoHS
2002/95/EC



RECOMMENDED PCB FOOTPRINT
COMPONENT SIDE VIEW

ORIGINATED BY BILL CHEN	DATE 03-21-08
DRAWN BY SALLY LUD	DATE 03-21-08

TITLE Gigabit MagJack®

PART NO. / DRAWING NO. SI-61007-F
FILE NAME SI-61007-F_A.DWG

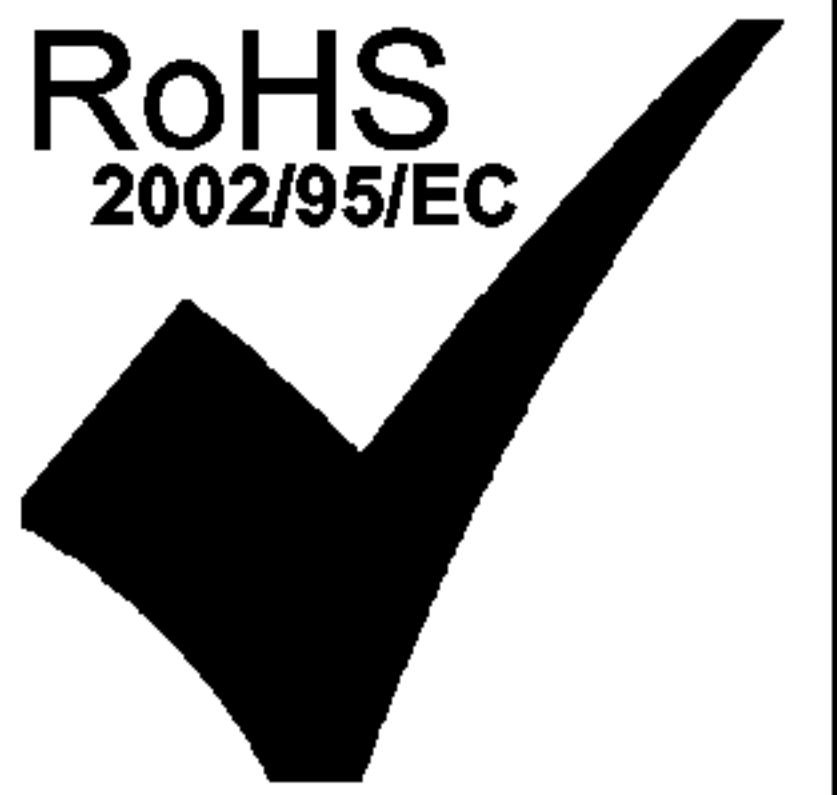
STANDARD DIM. TOL. IN INCH	[] METRIC DIM. AS REFERENCE
.X	UNIT : INCH [mm]
.XX	SCALE : N/A
.XXX ±0.004	REV. : A
	SIZE : A4
	PAGE : 4

--	--

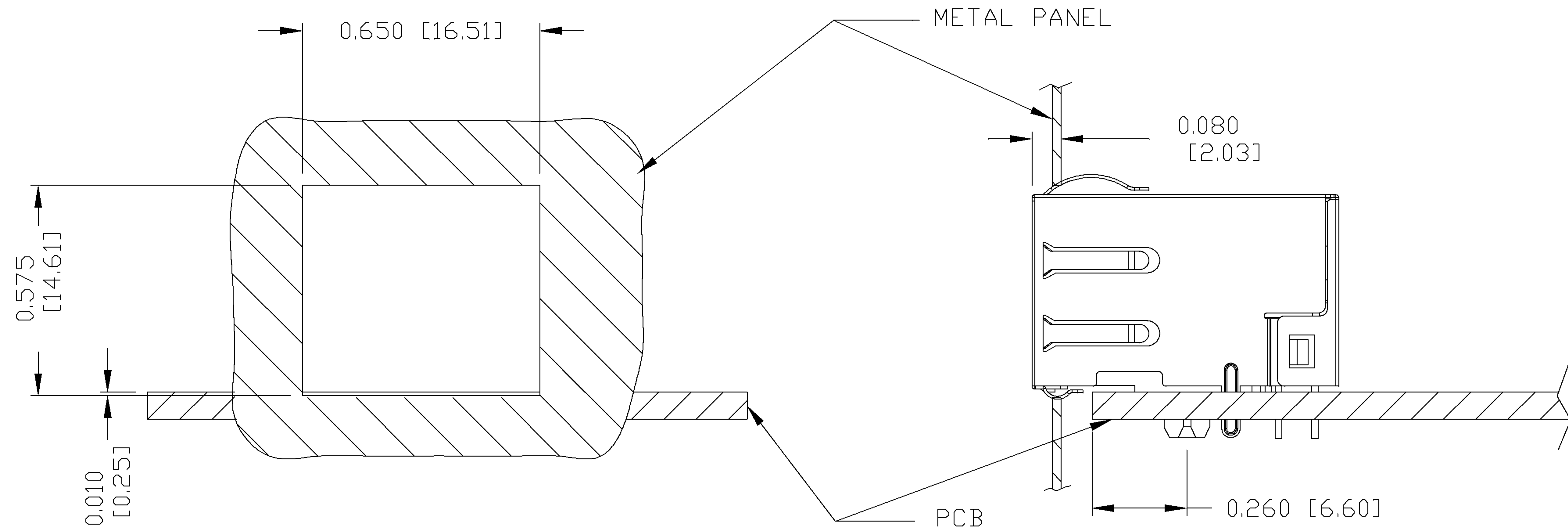


THE INFORMATION CONTAINED HEREIN IS CONSIDERED "PROPRIETARY" TO BEL FUSE INC. AND SHALL NOT BE COPIED, REPRODUCED OR DISCLOSED WITHOUT THE WRITTEN APPROVAL OF BEL FUSE INC.

RoHS
2002/95/EC



SUGGESTED PANEL OPENING



NOTES:

THE DISTANCE OF PANEL INSIDE SURFACE RELATIVE TO FRONT SURFACE OF PART IS ONLY A SUGGESTION. IN CASE THIS DISTANCE IS DIFFERENT, THE REQUIRED PANEL OPENING DIMENSIONS CHANGE ACCORDINGLY.

PACKING INFORMATION

PACKING TRAY : 0200-9999-Q7 (TOP)
0200-9999-Q8 (BOTTOM)

PACKING QUANTITY : 80 PCS FINISHED GOODS PER TRAY
10 TRAYS (800 PCS FINISHED GOODS) PER CARTON BOX

NOTE : CARDBOARDS ARE PLACED BETWEEN LAYERS OF PACKING TRAY INSIDE CARTON BOX
(INCLUDE THE UPPERMOST AND LOWERMOST TRAY)

ORIGINATED BY BILL CHEN	DATE 03-21-08	TITLE Gigabit MagJack®	PART NO. / DRAWING NO. SI-61007-F	STANDARD DIM. TOL. IN INCH	[] METRIC DIM. AS REFERENCE	
DRAWN BY SALLY LUD	DATE 03-21-08		FILE NAME SI-61007-F_A.DWG	.X .XX .XXX	UNIT : INCH [mm]	REV. : A
				±0.004	SCALE : N/A	SIZE : A4
						PAGE : 5

