



Chipsmall Limited consists of a professional team with an average of over 10 year of expertise in the distribution of electronic components. Based in Hongkong, we have already established firm and mutual-benefit business relationships with customers from,Europe,America and south Asia,supplying obsolete and hard-to-find components to meet their specific needs.

With the principle of “Quality Parts,Customers Priority,Honest Operation,and Considerate Service”,our business mainly focus on the distribution of electronic components. Line cards we deal with include Microchip,ALPS,ROHM,Xilinx,Pulse,ON,Everlight and Freescale. Main products comprise IC,Modules,Potentiometer,IC Socket,Relay,Connector.Our parts cover such applications as commercial,industrial, and automotives areas.

We are looking forward to setting up business relationship with you and hope to provide you with the best service and solution. Let us make a better world for our industry!



## Contact us

Tel: +86-755-8981 8866 Fax: +86-755-8427 6832

Email & Skype: info@chipsmall.com Web: www.chipsmall.com

Address: A1208, Overseas Decoration Building, #122 Zhenhua RD., Futian, Shenzhen, China



# SI-8100QL Series Current Mode Control Step-down Switching Mode

## ■Features

- DIP8 package
- Introduction of current mode control method
- Output current: 3.5A
- High efficiency: 90% (Vo=5V)
- Built-in reference oscillator (350kHz)
- Built-in drooping-type overcurrent and thermal protection circuits
- Built-in soft start circuit
- Built-in on/off function (Active Hi)
- Low current consumption during off

## ■Applications

- DVD recorder, FPD-TV
- Onboard local power supplies
- OA equipment

## ■Absolute Maximum Ratings

Parameter	Symbol	Ratings	Unit	Conditions
Input Voltage	V <sub>IN</sub>	30	V	
Power Dissipation <sup>*1</sup>	P <sub>D</sub>	1.56	W	When mounted on glass-epoxy board measuring 70x60 mm (copper laminate area: 1310 mm <sup>2</sup> )
Junction Temperature <sup>*2</sup>	T <sub>j</sub>	-30 to +150	°C	
Storage Temperature	T <sub>stg</sub>	-40 to +150	°C	
Thermal Resistance (Junction to Case)	θ <sub>j-c</sub>	25	°C/W	
Thermal Resistance (Junction to Ambient Air)	θ <sub>j-a</sub>	64	°C/W	When mounted on glass-epoxy board measuring 70x60 mm (copper laminate area: 1310 mm <sup>2</sup> )

\*1: Limited by thermal protection circuit

\*2: Note that the detect temperature for thermal protection is about 140°C.

## ■Recommended Operating Conditions

Parameter	Symbol	Ratings		Unit	Conditions
		SI-8105QL			
Input Voltage Range	V <sub>IN</sub>	Vo+3 <sup>*1</sup> to 28		V	
Output Voltage Range	Vo	0.5 to 24		V	
Output Current Range	Io	0 to 3.5		A	
Operating Junction Temperature Range	T <sub>jop</sub>	-30 to +125		°C	
Operating Temperature Range	Top	-30 to +85		°C	

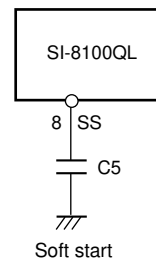
\*1: The minimum value of the input voltage range is 4.75 V or Vo +3 V, whichever is higher.

## ■Electrical Characteristics

(When Ta=25°C and Vo=5V)

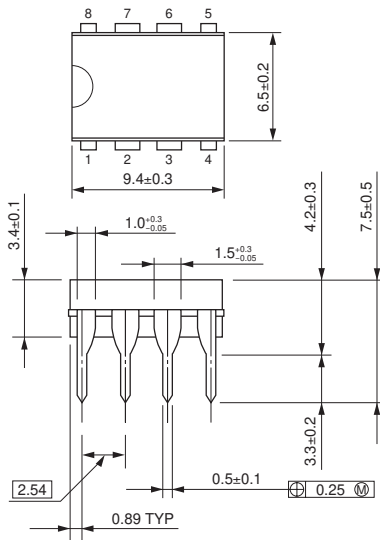
Parameter	Symbol	Ratings			Unit
		SI-8105QL			
		min.	typ.	max.	
Reference Voltage	V <sub>ADJ</sub>	0.485	0.500	0.515	V
	Conditions	V <sub>IN</sub> =12V, I <sub>o</sub> =1A			
Temperature Coefficient of Reference Voltage	(ΔV <sub>ADJ</sub> /ΔT)		0.05		mV/°C
	Conditions	V <sub>IN</sub> =12V, I <sub>o</sub> =1A, Ta=-40 to +85°C			
Efficiency	η		90		%
	Conditions	V <sub>IN</sub> =12V, I <sub>o</sub> =1A			
Oscillation Frequency	f <sub>o</sub>	315	350	385	kHz
	Conditions	V <sub>IN</sub> =16V, I <sub>o</sub> =1A			
Line Regulation	ΔV <sub>LINE</sub>		30	60	mV
	Conditions	V <sub>IN</sub> =8 to 28V, I <sub>o</sub> =1A			
Load Regulation	ΔV <sub>LOAD</sub>		30	60	mV
	Conditions	V <sub>IN</sub> =12V, I <sub>o</sub> =0.1 to 3.5A			
Overcurrent Protection Starting Current	I <sub>s</sub>	3.6		6.0	A
	Conditions	V <sub>IN</sub> =12V			
Quiescent Circuit Current	I <sub>q</sub>		18		mA
	Conditions	V <sub>IN</sub> =12V, I <sub>o</sub> =0A, V <sub>EN</sub> =open			
	I <sub>q(OFF)</sub>			20	μA
Conditions	V <sub>IN</sub> =12V, I <sub>o</sub> =0A, V <sub>EN</sub> =0V				
SS Pin	Outflow Current at Low Voltage	I <sub>SSL</sub>	5		μA
		Conditions	V <sub>IN</sub> =12V, V <sub>SSL</sub> =0V		
EN Pin	High Level Voltage	V <sub>C/EH</sub>	2.8		V
		Conditions	V <sub>IN</sub> =12V		
	Low Level Voltage	V <sub>C/EL</sub>		2.2	V
Inflow Current at Low Voltage	I <sub>C/EH</sub>		5		μA
		Conditions	V <sub>EN</sub> =0V		
Error Amplifier Voltage Gain	AEA		1000		V/V
Error Amplifier Transformer Conductance	GEA		800		μA/V
Current Sense Amplifier Impedance	1/GCS		0.35		V/A
Maximum ON Duty	D <sub>MAX</sub>		92		%
Minimum ON Time	D <sub>MIN</sub>		100		nsec.

\*: Pin 8 is the SS pin. Soft start at power on can be performed with a capacitor connected to this pin. The SS pin is pulled up to the power supply in the IC, so applying the external voltage is prohibited.



External Dimensions (DIP8)

(Unit : mm)

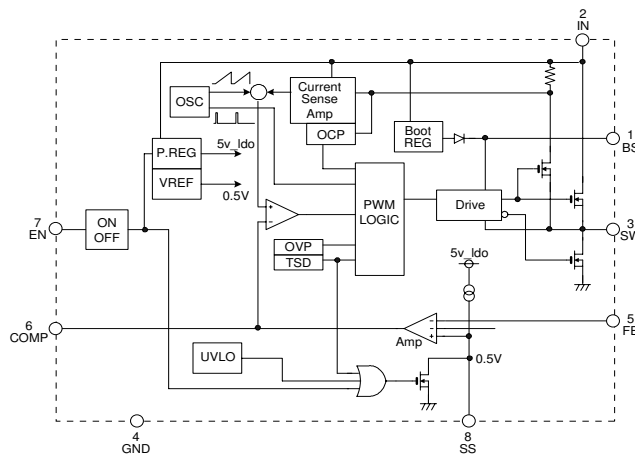


Pin Assignment

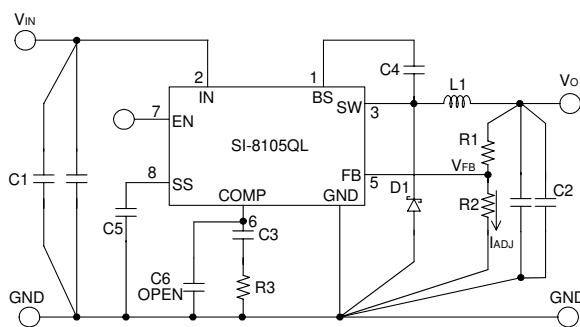
- ① BS
- ② IN
- ③ SW
- ④ GND
- ⑤ FB
- ⑥ COMP
- ⑦ EN
- ⑧ SS

Plastic Mold Package Type  
 Flammability: UL 94V-0  
 Product Mass: Approx. 0.49 g

Block Diagram



Typical Connection Diagram



- C1:10μ F/50V  
(Murata: GRM55DB31H106KA87)
- C2:22μ F/16V  
(Murata: GRM32ER71A226KE20)
- C3:560pF<sup>1</sup>  
(Murata: GRM18 Type)
- C4:10nF  
(Murata: GRM18 Type)
- C5:10nF  
(Murata: GRM18 Type)
- L1:10μ H
- D1:SPB-G56S (Sanken)  
SJPB-L4 (Sanken)
- R1:46kΩ (When V<sub>O</sub> = 5 V)
- R2:5.1kΩ
- R3:24kΩ<sup>1</sup>

\*1: When V<sub>O</sub>=5V