



Chipsmall Limited consists of a professional team with an average of over 10 year of expertise in the distribution of electronic components. Based in Hongkong, we have already established firm and mutual-benefit business relationships with customers from,Europe,America and south Asia,supplying obsolete and hard-to-find components to meet their specific needs.

With the principle of “Quality Parts,Customers Priority,Honest Operation,and Considerate Service”,our business mainly focus on the distribution of electronic components. Line cards we deal with include Microchip,ALPS,ROHM,Xilinx,Pulse,ON,Everlight and Freescale. Main products comprise IC,Modules,Potentiometer,IC Socket,Relay,Connector.Our parts cover such applications as commercial,industrial, and automotives areas.

We are looking forward to setting up business relationship with you and hope to provide you with the best service and solution. Let us make a better world for our industry!



Contact us

Tel: +86-755-8981 8866 Fax: +86-755-8427 6832

Email & Skype: info@chipsmall.com Web: www.chipsmall.com

Address: A1208, Overseas Decoration Building, #122 Zhenhua RD., Futian, Shenzhen, China



Description

The Si2115/13/11 digital TV receiver integrates a complete digital TV tuner and a DVB-T and/or DVB-C digital demodulator into a single, monolithic, CMOS mixed-signal IC.

Leveraging Silicon Labs' proven 3rd-generation digital low-IF tuner architecture, the Si2115/13/11 delivers a higher number of received channels in real-world crowded spectrum conditions without the need for external LNAs, tracking filters, or SAW filters.

An enhanced version of the proven DVB-T/C demodulator technology from Silicon Labs' Si2165 has been incorporated into the Si2115/13/11 to deliver superior performance under a wide variety of field conditions. The digital demodulator uses sophisticated on-chip algorithms to ensure optimal reception even under difficult transmission conditions. In addition, the Si2115/13/11 offers on-chip Blindscan and Blindlock scanning algorithms for DVB-C as well as DSP-assisted DVB-T fast channel scanning.

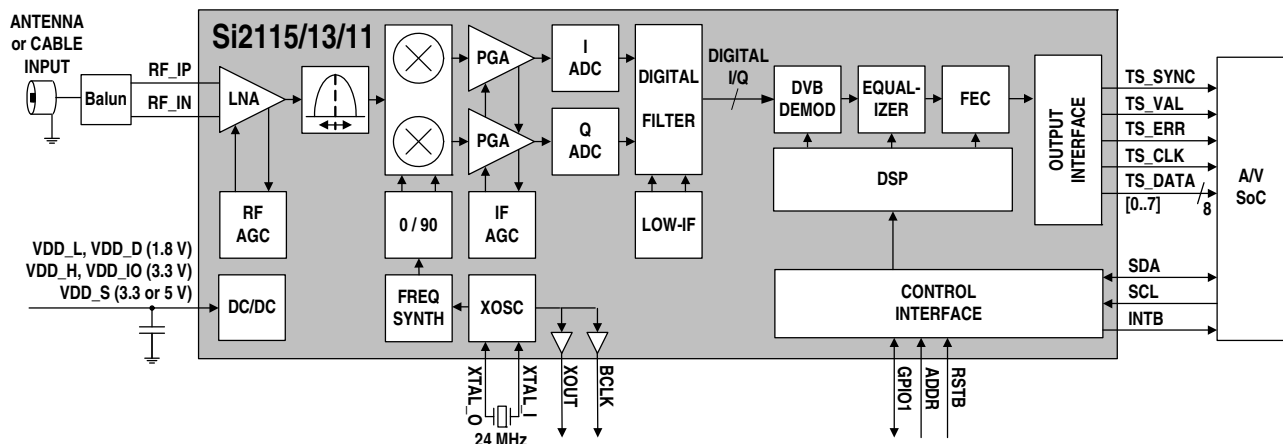
By combining digital tuner and demodulator functions in a single device, the Si2115/13/11 enables a full TV receiver solution in a very small PCB footprint and with minimal external components. The Si2115/13/11 contains an on-chip crystal oscillator and only requires the connection of a standard 24 MHz crystal or a reference clock. For dual-receiver applications, the primary Si2115/13/11 can provide a reference clock on its XOUT pin directly to the XTAL_I pin of the secondary Si2115/13/11, thus saving the cost of one crystal. The Si2115/13/11 programmable Transport Stream interface provides both serial and parallel modes, and is fully compatible with all MPEG decoders and conditional access modules (CI/CI+) to support any customer application.

Features

- Digital TV tuner
 - 42–870 MHz frequency range
 - No alignment, tuning or calibration
- Digital TV (DTV) demodulator and FEC decoder
 - DVB-T (ETSI EN 300 744)(Si2115 and Si2111 only)
 - DVB-C (ETSI EN 300 429)(Si2115 and Si2113 only)
 - ITU J.83 Annex A/C (Si2115 and Si2113 only)
- Supports all DVB-T modes
- Supports DVB-C symbol rates from 1 to 7.2 MBaud
 - Advanced echo equalizer
- Best-in-class real-world reception
- Compliance with NorDig 2.1, D-Book, and C-Book specifications
- Highly integrated, lowest BOM
 - No SAW filters required
 - Integrated LNAs and complete tracking filters
- Customizable channel select filters
- Flexible output interface to AV processor
 - Serial or parallel TS output
 - Low IF output to optional external demodulator
- Single die in standard CMOS process
- 3.3 and 1.8 V power supplies
- 7x7 mm, 48-pin QFN package, RoHS compliant

Applications

- Digital terrestrial or cable STB
- Digital PVR and DVD recorder
- Digital TV
- Digital PC TV card and USB dongle
- Digital full-NIM tuner module



Selected Electrical Specifications

($V_{DD_H} = 3.3\text{ V}$, $V_{DD_L} = 1.8\text{ V}$, $V_{DD_D} = 1.8\text{ V}$, $T_A = 25\text{ }^\circ\text{C}$)

Parameter	Test Condition	Typ	Unit
Supply Voltage		1.8 and 3.3	V
Total Power Consumption	DVB-T mode	1.1	W
RF Input Frequency Range		42 to 870	MHz
Noise Figure ¹	Max gain	4.0	dB
Wideband IIP3 ¹	$N \pm 18, \pm 36$; max RF gain	+18	dBm
Inband IIP3 ¹	$N \pm 1, \pm 2$; max RF gain	-5	dBm
LO Phase Noise at 860 MHz	125 Hz 250 Hz 1 kHz 10 kHz 100 kHz	-83 -91 -96 -95 -104	dBc/Hz
	Integrated DSB: 125 Hz to 4 MHz	0.4 (-43)	°rms (dBc)
Adjacent Channel Attenuation	$N \pm 1$; RF input ¹ to DLIF output	80	dB
DVB-T Sensitivity ²	8K, 64-QAM, 2/3CR, Gaussian Channel	-84	dBm
DVB-T Carrier to Noise Ratio ²	8K, 64-QAM, 2/3CR, Gaussian Channel	17	dB

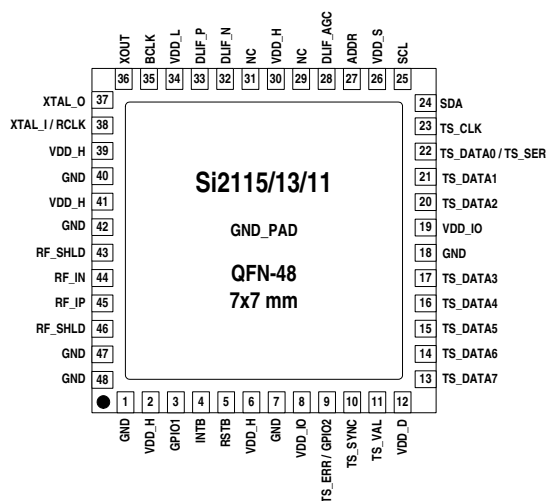
Notes:

1. Measured at the F-connector input of the Si2115/13/11 reference design and includes all front-end circuit losses.
2. Measured at Quasi Error Free conditions ($BER = 2 \times 10^{-4}$).

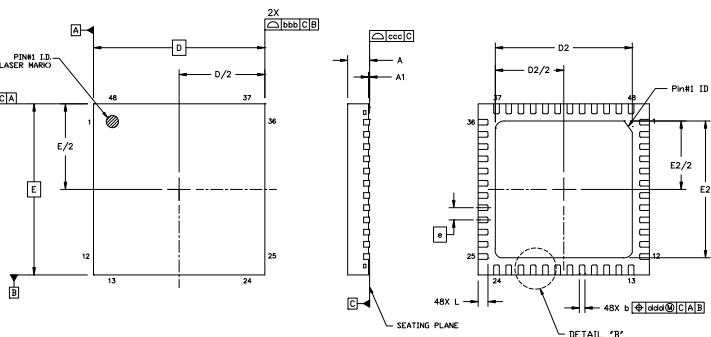
Selection Guide

Part #	Description
Si2115	Digital TV receiver for DVB-T/C
Si2113	Digital TV Receiver for DVB-C
Si2111	Digital TV Receiver for DVB-T

Pin Assignments



7x7 mm QFN-48 Package Information



Symbol	Min	Nom	Max	Unit
A	0.80	0.85	0.90	mm
D, E	7.00 BSC			mm
e	0.50 BSC			mm