



Chipsmall Limited consists of a professional team with an average of over 10 year of expertise in the distribution of electronic components. Based in Hongkong, we have already established firm and mutual-benefit business relationships with customers from,Europe,America and south Asia,supplying obsolete and hard-to-find components to meet their specific needs.

With the principle of "Quality Parts,Customers Priority,Honest Operation,and Considerate Service",our business mainly focus on the distribution of electronic components. Line cards we deal with include Microchip,ALPS,ROHM,Xilinx,Pulse,ON,Everlight and Freescale. Main products comprise IC,Modules,Potentiometer,IC Socket,Relay,Connector.Our parts cover such applications as commercial,industrial, and automotives areas.

We are looking forward to setting up business relationship with you and hope to provide you with the best service and solution. Let us make a better world for our industry!



## Contact us

Tel: +86-755-8981 8866 Fax: +86-755-8427 6832

Email & Skype: info@chipsmall.com Web: www.chipsmall.com

Address: A1208, Overseas Decoration Building, #122 Zhenhua RD., Futian, Shenzhen, China



### Description

The Si2162C integrates digital demodulators for all first and second generation DVB standards (DVB-T/T2/C/C2) in a single advanced CMOS die. Leveraging Silicon Labs' proven digital demodulation architecture, the Si2162C achieves excellent reception performance for each media while significantly minimizing front-end design complexity, cost, and power dissipation. Connecting the Si2162C to a hybrid TV tuner or digital only tuner, such as Silicon Labs' Si217x/5x/4x devices, results in a high-performance and cost optimized TV or STB front-end solution.

Silicon Labs' internally developed DVB-C2 demodulator can accept a standard IF (36 MHz) or low-IF input (differential) and support all modes specified by the DVB-C2 standard. The main features of the DVB-C2 mode are 4096-QAM, 6 or 8 MHz bandwidth, management of notch insertion (broadband and narrowband), and support of multiple data slices and PLPs.

DVB-T2/T and DVB-C2/C demodulators are next-generation enhanced versions of proven and broadly-used Silicon Labs' Si2169/68/67/66/64/62/60 devices. DVB-T2-Lite (ETSI EN 302 755-V1.3.1) compatibility is also supported.

The cable reception allows demodulating widely deployed DVB-C legacy standard (ITU-T J.83 Annex A/C) and the Americas' cable standard (ITU-T J.83 Annex B).

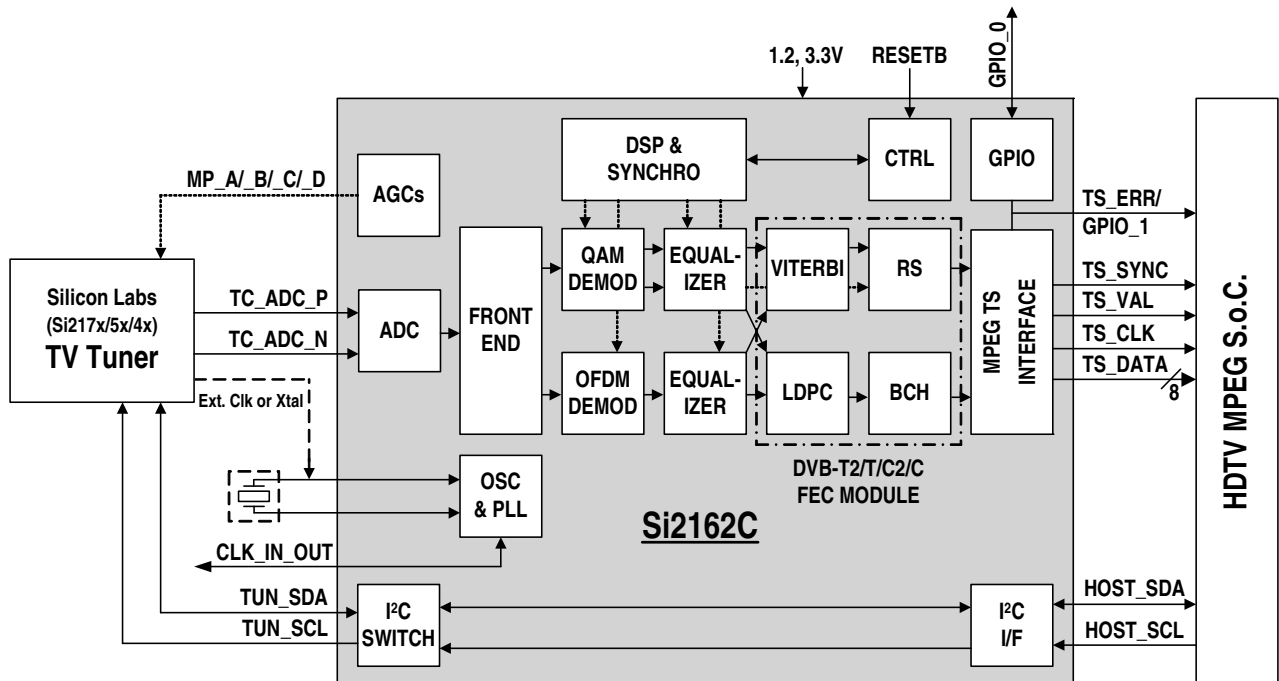
The Si2162C offers an on-chip blind scan algorithm for DVB-C/C2 standards, as well as a blind lock function. The Si2162C programmable transport stream output interface provides a flexible range of output modes and is fully compatible with all MPEG decoders or conditional access modules to support any customer application.

### Features

- Pin-to-pin compatible with all Si216x/8x single demods family
- API compatible with all single and dual demods families
- DVB-T2 (ETSI EN 302 755-V1.4.1) with T2-Lite (Annex I)
  - Bandwidth: 1.7, 5, 6, 7, and 8 MHz
  - NorDig Unified 2.5 and D-Book 8 compliant
- DVB-C2 (ETSI EN 302 769)
  - 16-QAM to 4096-QAM OFDM demodulation
- DVB-T (ETSI EN 300 744)
  - OFDM demodulator and enhanced FEC decoder
  - NorDig Unified 2.5 and D-Book 8 compliant
- DVB-C (ETSI EN 300 429) and ITU-T J.83 Annex A/B/C
  - QAM demodulator and FEC decoder
  - 1 to 7.2 MSymbol/s
- LDPC and BCH FEC decoding for C2/T2 standards
- I<sup>2</sup>C serial bus interfaces (master and host)
- Firmware control (embedded ROM/NVM)
- Upgradeable with patch download via fast SPI or I<sup>2</sup>C (broadcast mode supported)
- Flexible TS output interface (serial, parallel, and slave)
- Fast lock times for all media
- Low power consumption
- Two power supplies: 1.2 and 3.3 V
- 7x7 mm, QFN-48 pin package, Pb-free/RoHS compliant

### Applications

- iDTV: on-board design or in a NIM
- Advanced multimedia STB, PVR, and Blu-ray recorders
- PC-TV accessories

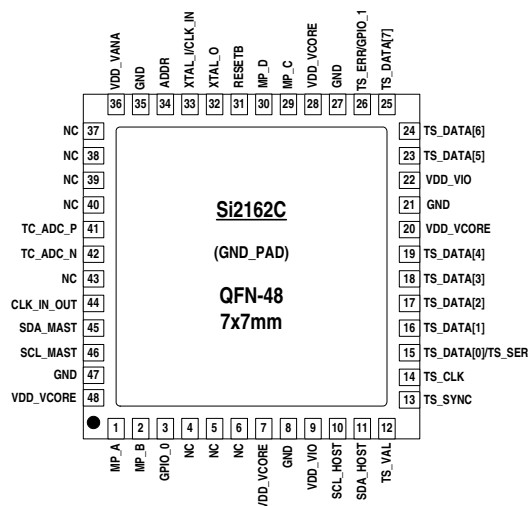


### Selected Electrical Specifications

(T<sub>A</sub> = -10 to 75 °C)

Parameter	Test Condition	Min	Typ	Max	Unit
<b>General</b>					
Input clock reference		4	—	30	MHz
Supported XTAL frequency		16	—	30	MHz
Total power consumption	DVB-T2 <sup>1</sup>	—	356	—	mW
	DVB-T <sup>2</sup>	—	182	—	mW
	DVB-C2 <sup>3</sup>	—	327	—	mW
	DVB-C <sup>4</sup>	—	142	—	mW
Thermal resistance	2 layer PCB	—	35	—	°C/W
	4 layer PCB	—	23	—	°C/W
<b>Power Supplies</b>					
V <sub>DD_VCORE</sub>		1.14	1.20	1.30	V
V <sub>DD_VANA</sub>		3.00	3.30	3.60	V
V <sub>DD_VIO</sub>		3.00	3.30	3.60	V
<b>Notes:</b>					
1. Test conditions: 8 MHz, 256-QAM, 32K FFT, CR = 3/5, GI = 1/128, PP7, parallel TS, C/N at picture failure.					
2. Test conditions: 8 MHz, 8K FFT, 64-QAM, parallel TS.					
3. Test conditions: 4096-QAM, CR = 5/6, GI = 1/128, C/N = 34 dB (at picture failure).					
4. Test conditions: 6.9 Mbaud, 256-QAM, parallel TS.					

### Pin Assignments



### Selection Guide

Part Number	Description
Si2162-C60-GM	DVB-T2/C2/T/C Digital TV demodulator, 7x7 mm QFN-48