



Chipsmall Limited consists of a professional team with an average of over 10 year of expertise in the distribution of electronic components. Based in Hongkong, we have already established firm and mutual-benefit business relationships with customers from,Europe,America and south Asia,supplying obsolete and hard-to-find components to meet their specific needs.

With the principle of “Quality Parts,Customers Priority,Honest Operation,and Considerate Service”,our business mainly focus on the distribution of electronic components. Line cards we deal with include Microchip,ALPS,ROHM,Xilinx,Pulse,ON,Everlight and Freescale. Main products comprise IC,Modules,Potentiometer,IC Socket,Relay,Connector.Our parts cover such applications as commercial,industrial, and automotives areas.

We are looking forward to setting up business relationship with you and hope to provide you with the best service and solution. Let us make a better world for our industry!



Contact us

Tel: +86-755-8981 8866 Fax: +86-755-8427 6832

Email & Skype: info@chipsmall.com Web: www.chipsmall.com

Address: A1208, Overseas Decoration Building, #122 Zhenhua RD., Futian, Shenzhen, China



Si51214 Data Sheet

Two Output Factory Programmable Clock Generator

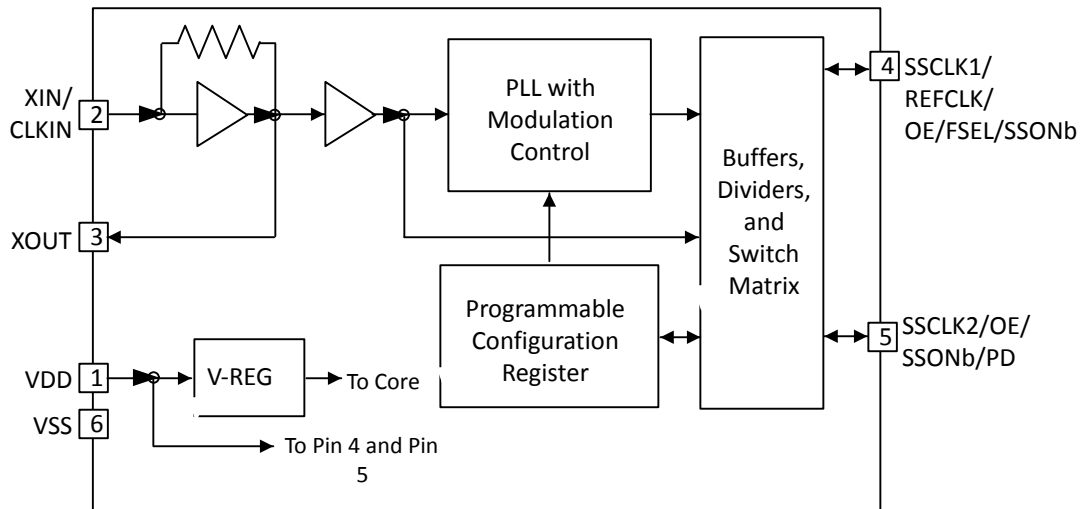
The factory programmable Si51214 is the industry's lowest power, smallest footprint and frequency flexible programmable clock generator targeting low power, low cost and high volume consumer and embedded applications. The device operates from a single crystal or an external clock source and generates 1 to 2 outputs up to 133 MHz. The device is factory programmed to provide customized output frequencies and control input such as frequency select, spread spectrum on, power down and output enable. Center spread spectrum can also be programmed to reduce EMI to meet board level system requirements.

Applications

- Crystal/XO replacement
- EMI reduction
- Portable devices
- Digital still camera
- IP phone
- Smart meter

KEY FEATURES

- Generates up to 2 CMOS clock outputs from 3 to 133 MHz
- Accepts crystal or reference clock input
 - 3 to 165 MHz reference clock input
 - 8 to 48 MHz crystal input
- Programmable FSEL, SSONb, PD, and OE input functions



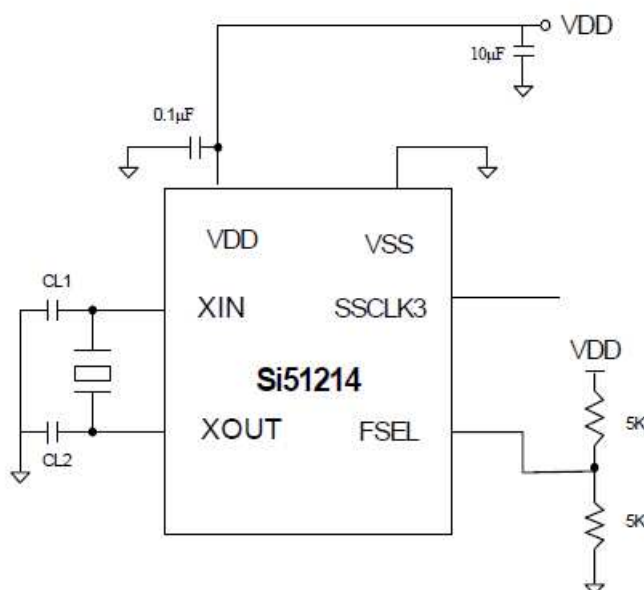
1. Feature List

The Si51214 highlighted features are listed below.

- Generates up to 2 CMOS clock outputs from 3 to 133 MHz
- Accepts crystal or reference clock input
 - 3 to 165 MHz reference clock input
 - 8 to 48 MHz crystal input
- Programmable FSEL, SSONb, PD, and OE input functions
- Low power dissipation
- 1.8 V voltage supply range
- $\pm 0.25\%$, $\pm 0.5\%$ or $\pm 1\%$ spread spectrum (center spread)
- Low cycle-cycle jitter
- Ultra small 6-pin TDFN package (1.2 mm x 1.4 mm)

2. Design Considerations

2.1 Typical Application Schematic



2.2 Comments and Recommendations

Decoupling Capacitor: A decoupling capacitor of 0.1 µF must be used between VDD and VSS on pin 1. Place the capacitor on the component side of the PCB as close to the VDD pin as possible. The PCB trace to the VDD pin and to the GND via should be kept as short as possible. Do not use vias between the decoupling capacitor and the VDD pin. In addition, a 10 µF capacitor should be placed between VDD and VSS.

Series Termination Resistor: A series termination resistor is recommended if the distance between the outputs (SSCLK or REFCLK pins) and the load is over 1 ½ inches. The nominal impedance of the SSCLK output is about 30 Ω. Use a 20 Ω resistor in series with the output to terminate a 50 Ω trace impedance and place a 20 Ω resistor as close to the SSCLK output as possible.

Crystal and Crystal Load: Only use a parallel resonant fundamental AT cut crystal. Do not use higher overtone crystals. To meet the crystal initial accuracy specification (in ppm) make sure that the external crystal load capacitor is matched to the crystal load specification. To determine the value of CL1 and CL2, use the following formula:

$$CL1 = CL2 = 2CL - (C_{pin} + C_p);$$

where CL is the load capacitance stated by the crystal manufacturer,

C_{pin} is the Si51214 pin capacitance (3 pF), and

C_p is the parasitic capacitance of the PCB traces.

Example: If a crystal with CL = 12 pF specification is used and $C_p = 1$ pF (parasitic PCB capacitance on PCB), 19 or 20 pF external capacitors from pins XIN (pin 2) and XOUT (Pin 3) to VSS are required. Users must verify C_p value.

Table 2.1. Crystal Specifications

Equivalent Series Resistance (ESR)	Crystal Output Capacitance (CO)	Load Capacitance (CL)
≤ 50 Ω	≤ 3 pF	≤ 13 pF

3. Electrical Specifications

Table 3.1. DC Electrical Specifications
 $(V_{DD} = 1.8\text{ V} \pm 5\%, C_L = 10\text{ pF}, T_A = -40\text{ to }85\text{ }^\circ\text{C})$

Parameter	Symbol	Test Condition	Min	Typ	Max	Unit
Operating Voltage	V_{DD}	$V_{DD} = 1.8\text{ V} \pm 5\%$	1.71	1.8	1.89	V
Output High Voltage	V_{OH}	$I_{OH} = -4\text{ mA}$	$V_{DD} - 0.5$	—	—	V
Output Low Voltage	V_{OL}	$I_{OL} = 4\text{ mA}$	—	—	0.3	V
Input High Voltage	V_{IH}	CMOS Level	$0.7 V_{DD}$	—	—	V
Input Low Voltage	V_{IL}	CMOS Level	0	—	$0.3 V_{DD}$	V
Operating Supply Current ¹	I_{DD}	$F_{IN} = 12\text{ MHz}$, $SSCLK1 = 12\text{ MHz}$, $SSCLK2 = 24\text{ MHz}$, $C_L = 5\text{ pF}$, $V_{DD} = 1.8\text{ V}$	—	5.5	9	mA
Power Down Current	I_{DDPD}		—	0.5	0.65	mA
Nominal Output Impedance	Z_O		—	30	—	Ω
Internal Pull-up/Pull-down Resistor	R_{PUP}/R_{PD}	Pin 5	—	150k	—	Ω
Input Pin Capacitance	C_{IN}	Input pin capacitance	—	3	5	pF
Load Capacitance	C_L	Clock outputs	—	—	10	pF
Note:						
1. I_{DD} depends on input and output frequency configurations.						

Table 3.2. AC Electrical Specifications
 $(V_{DD} = 1.8\text{ V} \pm 5\%, C_L = 10\text{ pF}, T_A = -40\text{ to }85\text{ }^\circ\text{C})$

Parameter	Symbol	Condition	Min	Typ	Max	Unit
Input Frequency Range	F_{IN1}	Crystal input	8	—	48	MHz
Input Frequency Range	F_{IN2}	Reference clock Input	3	—	165	MHz
Output Frequency Range	F_{OUT}	SSCLK1/2	3	—	133	MHz
Frequency Accuracy	F_{ACC}	Configuration dependent	—	0	—	ppm
Output Duty Cycle	DC_{OUT}	Measured at $V_{DDO}/2$ $F_{OUT} \leq 75\text{ MHz}$	45	50	55	%
		Measured at $V_{DDO}/2$ $F_{OUT} > 75\text{ MHz}$	40	50	60	%
Input Duty Cycle	DC_{IN}	CLKIN, CLKOUT through PLL	30	50	70	%
Output Rise/Fall Time	t_r/t_f	$C_L = 10\text{ pF}$, 20 to 80%	—	1	2	ns

Parameter	Symbol	Condition	Min	Typ	Max	Unit
Period Jitter	PJ ₁	SSCLK1/2, at the same frequency	—	15	30	ps rms
	PJ ₂	SSCLK1/2, at different output frequencies ¹	—	35	105 ²	ps rms
Cycle-to-Cycle Jitter	CCJ ₁	SSCLK1/2, at the same frequency	—	100	200	ps
	CCJ ₂	SSCLK1/2, at different output frequencies ¹	—	150	305 ²	ps
Power-up Time	t _{PU}	Time from 0.9 V _{DD} to valid frequencies at all clock outputs	—	1.2	5	ms
Output Enable Time	t _{OE}	Time from OE rising edge to active at outputs SSCLK1/2 (asynchronous), F _{OUT} = 133 MHz	—	15	—	ns
Output Disable Time	t _{OD}	Time from OE falling edge to active at outputs SSCLK1/2 (asynchronous), F _{OUT} = 133 MHz	—	15	—	ns
Spread Spectrum Modulation Rate ³	SS _{DEV}		—	37	—	kHz

Note:

1. Example frequency configurations:

- 100 MHz, 75 MHz
- 100 MHz, 66 2/3 MHz
- 96 MHz, 133 1/3 MHz

2. Jitter performance depends on configuration and programming parameters.

3. The SS modulation rate is a fixed ratio of the reference frequency with values in the range of 30 kHz to 50 kHz based on the frequency plan.

Table 3.3. Absolute Maximum Conditions

Parameter	Symbol	Condition	Min	Typ	Max	Unit
Main Supply Voltage	V _{DD}		-0.5	—	2.4	V
Input Voltage	V _{IN}	Relative to V _{SS}	-0.5	—	V _{DD} +0.5	V
Temperature, Storage	T _S	Non-functional	-65	—	150	°C
Temperature, Operating Ambient	T _A	Functional, I-temp	-40	—	85	°C
ESD Protection (Human Body Model)	ESD _{HBM}	JEDEC (JESD 22-A114)	-4000	—	4000	V
ESD Protection (Charge Device Model)	ESD _{CDM}	JEDEC (JESD 22-C101)	-1500	—	1500	V
ESD Protection (Machine Model)	ESD _{MM}	JEDEC (JESD 22-A115)	-200	—	200	V

4. Functional Description

4.1 Input Frequency Range

The input frequency range is from 8.0 to 48.0 MHz for crystals and ceramic resonators. If an external clock is used, the input frequency range is from 3.0 to 165.0 MHz.

4.2 Output Frequency Range and Outputs

Up to two outputs can be programmed as SSCLK or REFCLK. SSCLK output can be synthesized to any value from 3 to 133 MHz with spread based on valid input frequency. The spread at the SSCLK pins can be enabled or disabled by the SSONb input control pin. If SSONb is used, when this pin is pulled high (V_{DD}), the frequency at SSCLK pin is synthesized to the nominal value of the input frequency without spread. If low (GND), the frequency at SSCLK is synthesized to the nominal value of the input frequency with spread..

REFCLK is the buffered output of the oscillator and is the same frequency as the input frequency without spread. By using only low cost, fundamental mode crystals, the Si51214 can synthesize output frequency up to 133 MHz, eliminating the need for higher order crystals (Xtals) and crystal oscillators (XOs). This reduces the cost while improving the system clock accuracy, performance, and reliability.

4.3 Programmable Spread Percent (%)

The spread percent (%) value is programmable to $\pm 0.25\%$, $\pm 0.5\%$ or $\pm 1\%$ (center spread) for all SSCLK frequencies.

4.4 SSONb or Frequency Select (FSEL)

The Si51214 pins 4 and 5 can be programmed as SSONb to enable or disable the programmed spread percent value. If SSONb is used, when this pin is pulled high (V_{DD}), the frequency at SSCLK pin is synthesized to the nominal value of the input frequency without spread. If low (GND), the frequency at SSCLK is synthesized to the nominal value of the input frequency with spread. Pin 4 can also be programmed as frequency select (FSEL) function.

If FSEL function is used, the output pin can be programmed for different set of frequencies as selected by FSEL. SSCLK value can be any frequency from 3 to up to 133 MHz, but the spread % is the same percent value. REFCLK is the same frequency as the input reference clock. The set of frequencies in the table below are given as an example, using a 48 MHz crystal.

Table 4.1. Example Frequencies

FSEL Pin 4	SSCLK1 Pin 5
0	66 MHz, $\pm 1\%$
1	33 MHz, $\pm 1\%$

4.5 Power Down (PD) or Output Enable (OE)

The Si51214 pin 5 can be programmed as PD input. Pin 4 and pin 5 can be programmed as OE input. PD turns off both PLL and output buffers whereas OE only disables the output buffers to Hi-Z. The OE function is asynchronous. Any requirement for synchronous operations (like glitchless output clock switching) needs to be handled externally.

5. Pin Description

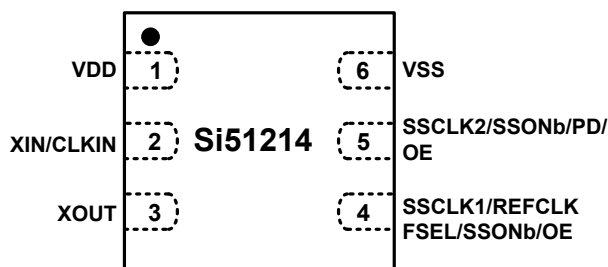


Figure 5.1. 6-Pin TDFN

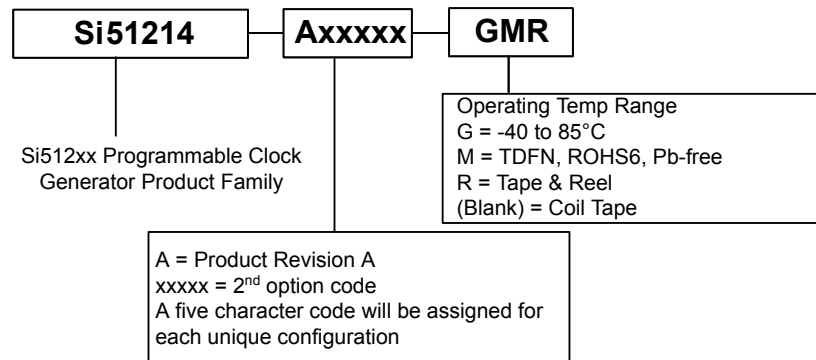
Table 5.1. Si51214 6-Pin Descriptions

Pin #	Name	Type	Description
1	VDD	PWR	1.8 V power supply.
2	XIN/CLKIN	I	External crystal and clock input.
3	XOUT	O	Crystal output. Leave this pin unconnected (floating) if an external clock input is used.
4	SSCLK1/REFCLK/FSEL/SSONb/OE	I/O	Programmable SSCLK1 or REFCLK output or MultiFunction control input. The frequency at this pin is synthesized by the internal PLL if programmed as SSCLK1 with or without spread. If programmed as REFCLK, the output clock is a buffered output of crystal or reference clock input. If programmed as a MultiFunction control input, it can be OE, FSEL, and SSONb.
5	SSCLK2/OE/SSONb/PD	I/O	Programmable SSCLK2 output or MultiFunction control input. The frequency at this pin is synthesized by the internal PLL if programmed as SSCLK2 with or without spread. SSCLK2 output can also be programmed as a buffered output of crystal or reference clock input divided by N, $2 \leq N \leq 8$. If programmed as a MultiFunction control input, it can be OE, PD, and SSONb. This pin cannot be programmed as FSEL control input.
6	VSS	GND	Ground.

6. Ordering Guide

Table 6.1. Si51214 Ordering Guide

Part Number	Package Type	Temperature
Si51214-Axxxxx-GM	6-pin TDFN	Industrial, -40 to 85 °C
Si51214-Axxxxx-GMR	6-pin TDFN—Tape and Reel	Industrial, -40 to 85 °C



7. Package Outline

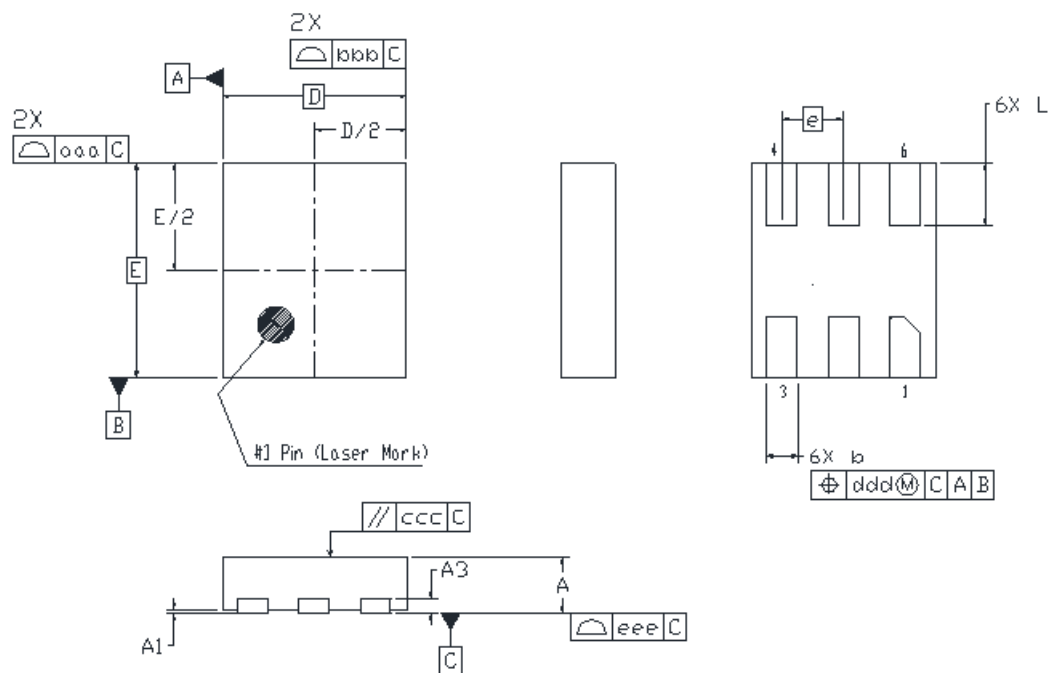


Figure 7.1. 6-pin TDFN

Table 7.1. Si51214 Package Dimensions

Dimension	Min	NOM	Max
A	0.70	0.75	0.80
A1	0.00	0.02	0.05
A3	0.20 REF		
b	0.15	0.20	0.25
D	1.20 BSC		
e	0.40 BSC		
E	1.40 BSC		
L	0.35	0.40	0.45
aaa	0.05		
bbb	0.05		
ccc	0.10		
ddd	0.07		
eee	0.08		

Dimension	Min	NOM	Max
<p>Note:</p> <ol style="list-style-type: none">1. All dimensions shown are in millimeters (mm) unless otherwise noted.2. Dimensioning and Tolerancing per ANSI Y14.5M-1994.3. Recommended card reflow profile is per the JEDEC/IPC J-STD-020 specification for Small Body Components.			

8. PCB Land Pattern

The figure below illustrates the PCB land pattern details for the device. The table below lists the values for the dimensions shown in the illustration.

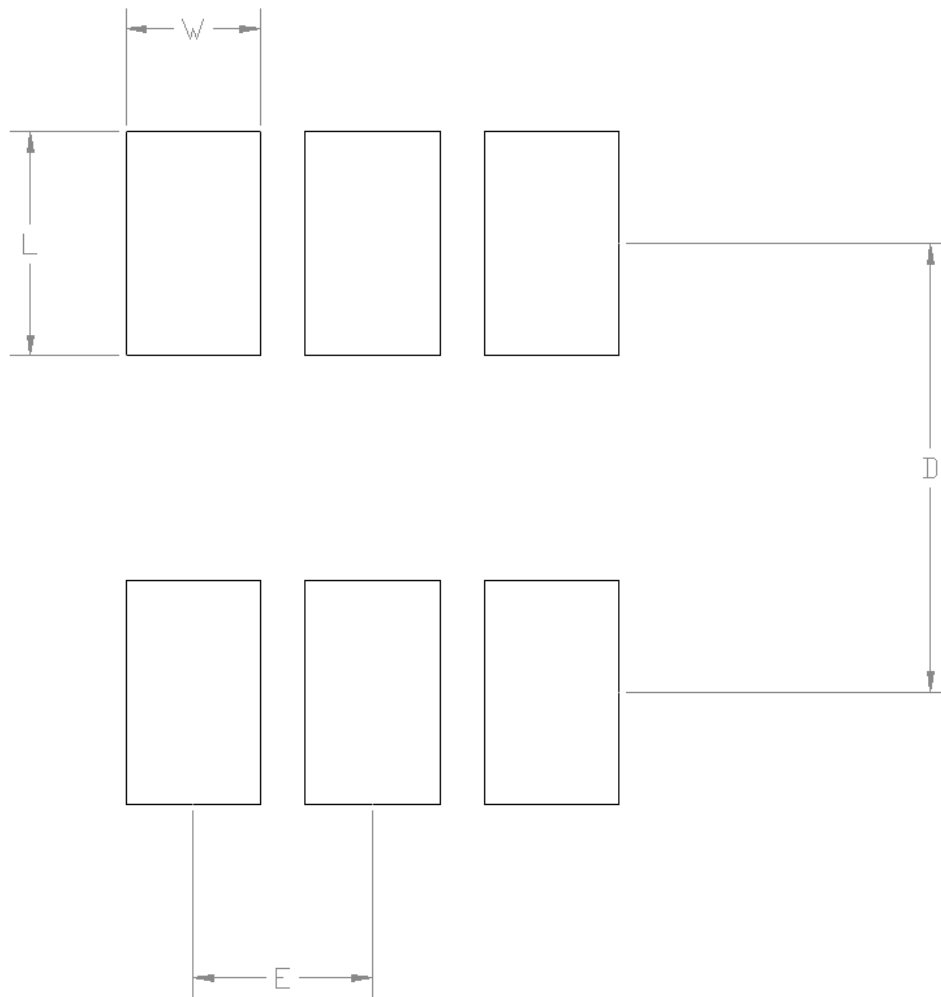


Figure 8.1. Si51214 6-pin TDFN PCB Land Pattern

Table 8.1. PCB Land Pattern Dimensions

Dimension	mm
D	1.00
E	0.40
L	0.5
W	0.3

Dimension	mm
<p>Note:</p> <p>General</p> <ol style="list-style-type: none">1. All dimensions shown are in millimeters (mm).2. This Land Pattern Design is based on the IPC-7351 guidelines.3. All dimensions shown are at Maximum Material Condition (MMC). Least Material Condition is calculated based on a fabrication allowance of 0.05 mm. <p>Solder Mask Design</p> <ol style="list-style-type: none">1. All metal pads are to be non-solder mask defined (NSMD). Clearance between the solder mask and the metal pad is to be 60 μm minimum, all the way around the pad. <p>Stencil Design</p> <ol style="list-style-type: none">1. A stainless steel, laser-cut and electro-polished stencil with trapezoidal walls should be used to assure good solder paste release.2. The stencil thickness should be 0.125 mm (5 mils).3. The ratio of stencil aperture to land pad size should be 1:1 for all perimeter pads.4. A 2x1 array of 0.55 mm square openings on 0.90 mm pitch should be used for the center ground pad. <p>Card Assembly</p> <ol style="list-style-type: none">1. A No-Clean, Type-3 solder paste is recommended.2. The recommended card reflow profile is per the JEDEC/IPC J-STD-020 specification for Small Body Components.	

9. Revision History

9.1 Revision 1.0

April 20, 2016

- Updated max clock input frequency to 165 MHz.
- Updated Operating Temperature to Industrial temperature, $-40\text{ }^{\circ}\text{C}$ to $85\text{ }^{\circ}\text{C}$.
- Updated PD programmable active state.
- Removed programmable output rise/fall time, SSEL.
- Updated [Table 3.1 DC Electrical Specifications](#) ($V_{DD} = 1.8\text{ V} \pm 5\%$, $CL = 10\text{ pF}$, $TA = -40\text{ to }85\text{ }^{\circ}\text{C}$) on page 3.
- Updated [Table 3.2 AC Electrical Specifications](#) ($V_{DD} = 1.8\text{ V} \pm 5\%$, $CL = 10\text{ pF}$, $TA = -40\text{ to }85\text{ }^{\circ}\text{C}$) on page 3.
- Updated pin descriptions in Pin Descriptions.
- Updated customized part numbering nomenclature in [Ordering Guide](#).
- Added land pattern drawing.

Table of Contents

1. Feature List	1
2. Design Considerations	2
2.1 Typical Application Schematic	2
2.2 Comments and Recommendations	2
3. Electrical Specifications	3
4. Functional Description	5
4.1 Input Frequency Range	5
4.2 Output Frequency Range and Outputs	5
4.3 Programmable Spread Percent (%)	5
4.4 SSONb or Frequency Select (FSEL)	5
4.5 Power Down (PD) or Output Enable (OE)	5
5. Pin Description	6
6. Ordering Guide	7
7. Package Outline	8
8. PCB Land Pattern	10
9. Revision History	12
9.1 Revision 1.0	12



ClockBuilder Pro

One-click access to Timing tools, documentation, software, source code libraries & more. Available for Windows and iOS (CBGo only).

www.silabs.com/CBPro



Timing Portfolio
www.silabs.com/timing



SW/HW
www.silabs.com/CBPro



Quality
www.silabs.com/quality



Support and Community
community.silabs.com

Disclaimer

Silicon Laboratories intends to provide customers with the latest, accurate, and in-depth documentation of all peripherals and modules available for system and software implementers using or intending to use the Silicon Laboratories products. Characterization data, available modules and peripherals, memory sizes and memory addresses refer to each specific device, and "Typical" parameters provided can and do vary in different applications. Application examples described herein are for illustrative purposes only. Silicon Laboratories reserves the right to make changes without further notice and limitation to product information, specifications, and descriptions herein, and does not give warranties as to the accuracy or completeness of the included information. Silicon Laboratories shall have no liability for the consequences of use of the information supplied herein. This document does not imply or express copyright licenses granted hereunder to design or fabricate any integrated circuits. The products are not designed or authorized to be used within any Life Support System without the specific written consent of Silicon Laboratories. A "Life Support System" is any product or system intended to support or sustain life and/or health, which, if it fails, can be reasonably expected to result in significant personal injury or death. Silicon Laboratories products are not designed or authorized for military applications. Silicon Laboratories products shall under no circumstances be used in weapons of mass destruction including (but not limited to) nuclear, biological or chemical weapons, or missiles capable of delivering such weapons.

Trademark Information

Silicon Laboratories Inc.®, Silicon Laboratories®, Silicon Labs®, SiLabs® and the Silicon Labs logo®, Bluegiga®, Bluegiga Logo®, Clockbuilder®, CMEMS®, DSPLL®, EFM®, EFM32®, EFR®, Ember®, Energy Micro, Energy Micro logo and combinations thereof, "the world's most energy friendly microcontrollers", Ember®, EZLink®, EZRadio®, EZRadioPRO®, Gecko®, ISOModem®, Precision32®, ProSLIC®, Simplicity Studio®, SiPHY®, Telegesis, the Telegesis Logo®, USBXpress® and others are trademarks or registered trademarks of Silicon Laboratories Inc. ARM, CORTEX, Cortex-M3 and THUMB are trademarks or registered trademarks of ARM Holdings. Keil is a registered trademark of ARM Limited. All other products or brand names mentioned herein are trademarks of their respective holders.



Silicon Laboratories Inc.
400 West Cesar Chavez
Austin, TX 78701
USA

<http://www.silabs.com>