



Chipsmall Limited consists of a professional team with an average of over 10 year of expertise in the distribution of electronic components. Based in Hongkong, we have already established firm and mutual-benefit business relationships with customers from,Europe,America and south Asia,supplying obsolete and hard-to-find components to meet their specific needs.

With the principle of "Quality Parts,Customers Priority,Honest Operation,and Considerate Service",our business mainly focus on the distribution of electronic components. Line cards we deal with include Microchip,ALPS,ROHM,Xilinx,Pulse,ON,Everlight and Freescale. Main products comprise IC,Modules,Potentiometer,IC Socket,Relay,Connector.Our parts cover such applications as commercial,industrial, and automotives areas.

We are looking forward to setting up business relationship with you and hope to provide you with the best service and solution. Let us make a better world for our industry!



Contact us

Tel: +86-755-8981 8866 Fax: +86-755-8427 6832

Email & Skype: info@chipsmall.com Web: www.chipsmall.com

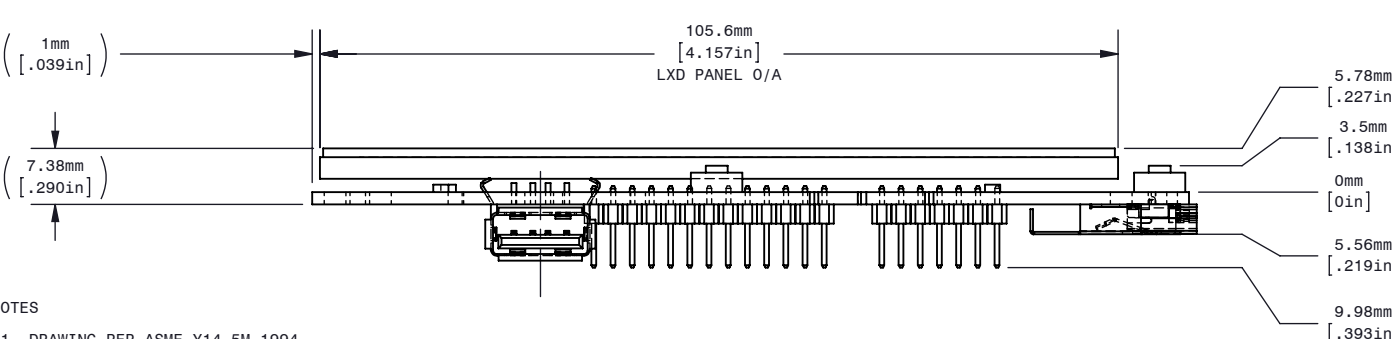
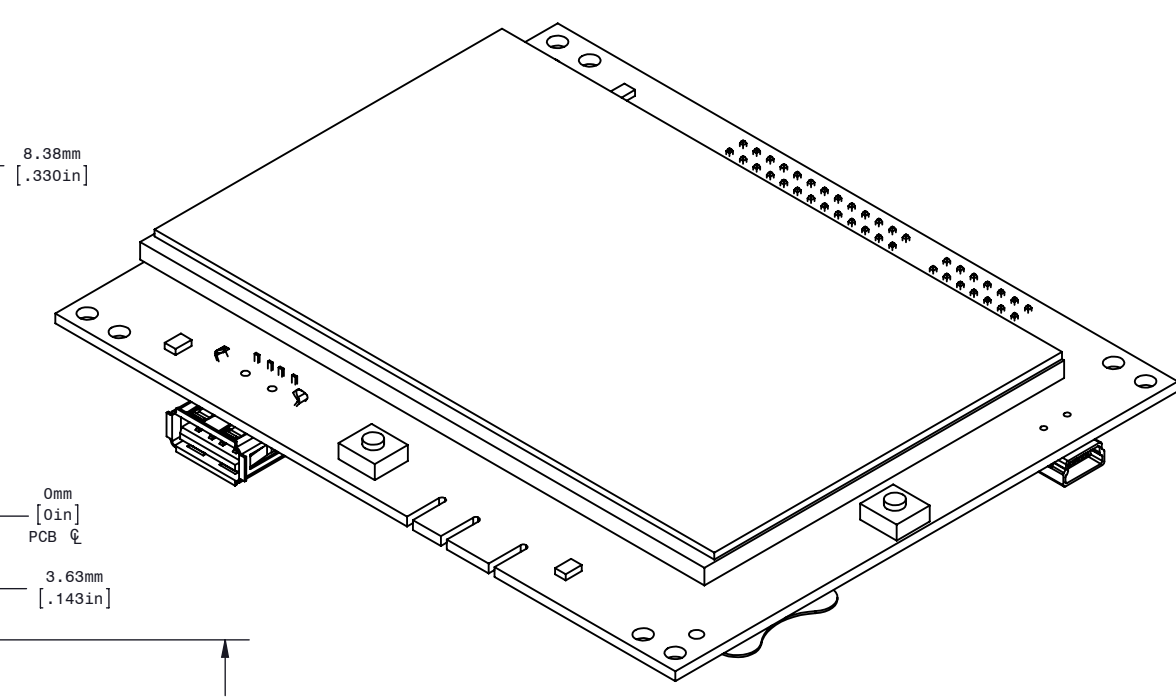
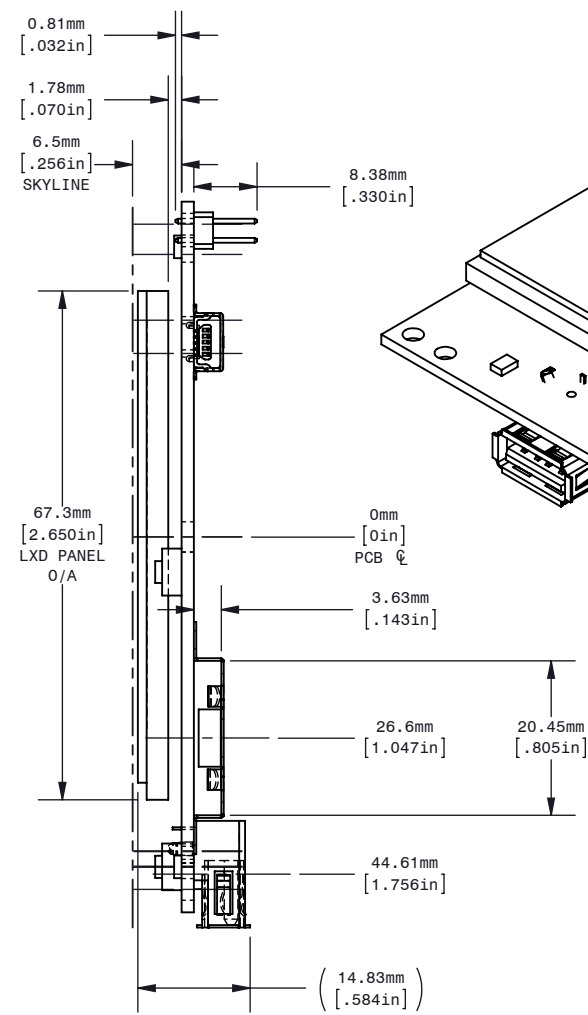
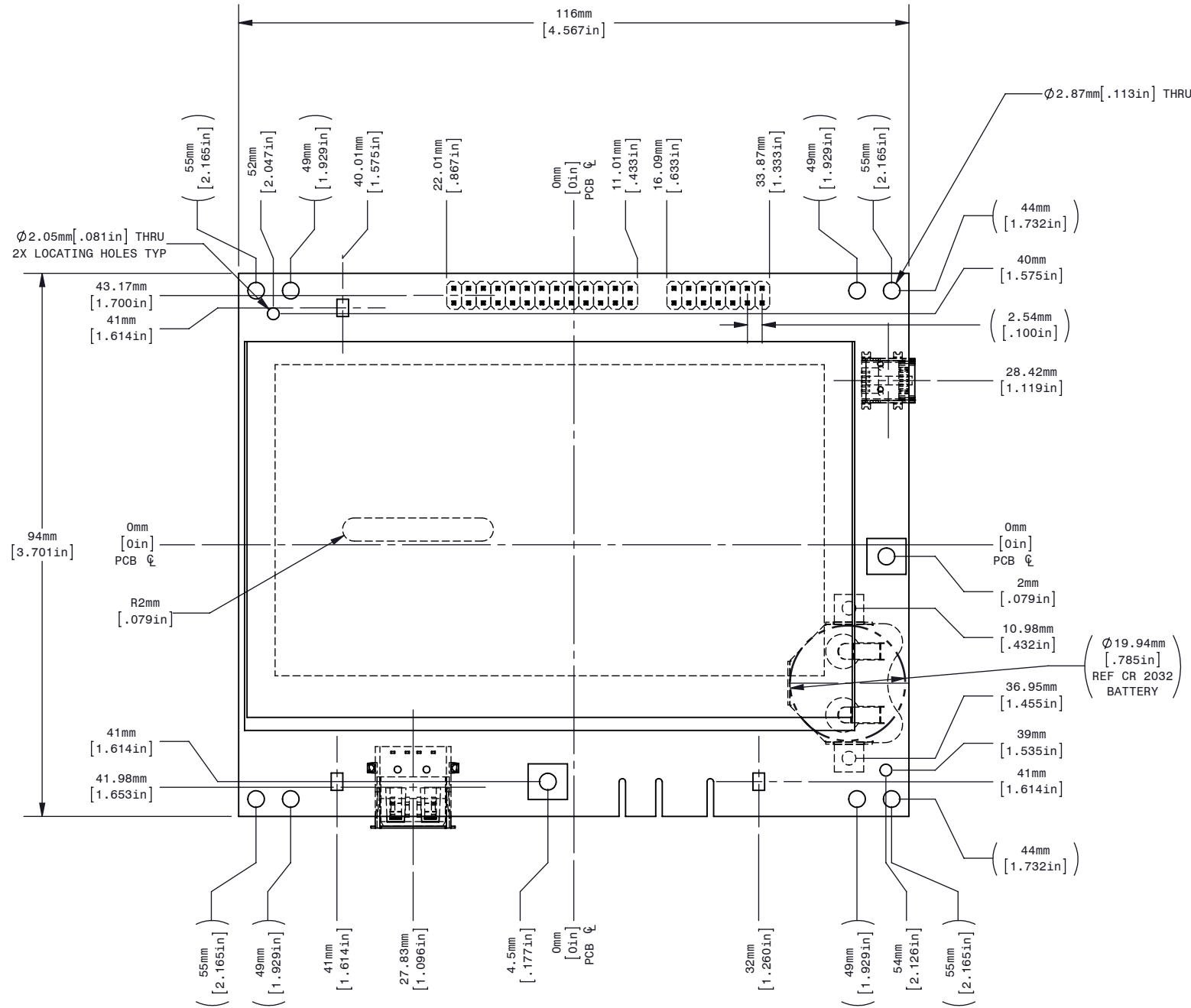
Address: A1208, Overseas Decoration Building, #122 Zhenhua RD., Futian, Shenzhen, China



THIS DOCUMENT CONTAINS INFORMATION THAT IS THE PROPERTY OF SERIOUS INTEGRATED, INC. THIS DOCUMENT MAY NOT, IN WHOLE OR IN PART BE DUPLICATED, DISCLOSED OR USED FOR THE MANUFACTURE OF THE PART DISCLOSED HEREIN, WITHOUT WRITTEN PERMISSION FROM SERIOUS INTEGRATED, INC. ALL RIGHTS RESERVED.

DATUM LOCATER				
DATUM	A	B	C	
ZONE	X/X	-	-	

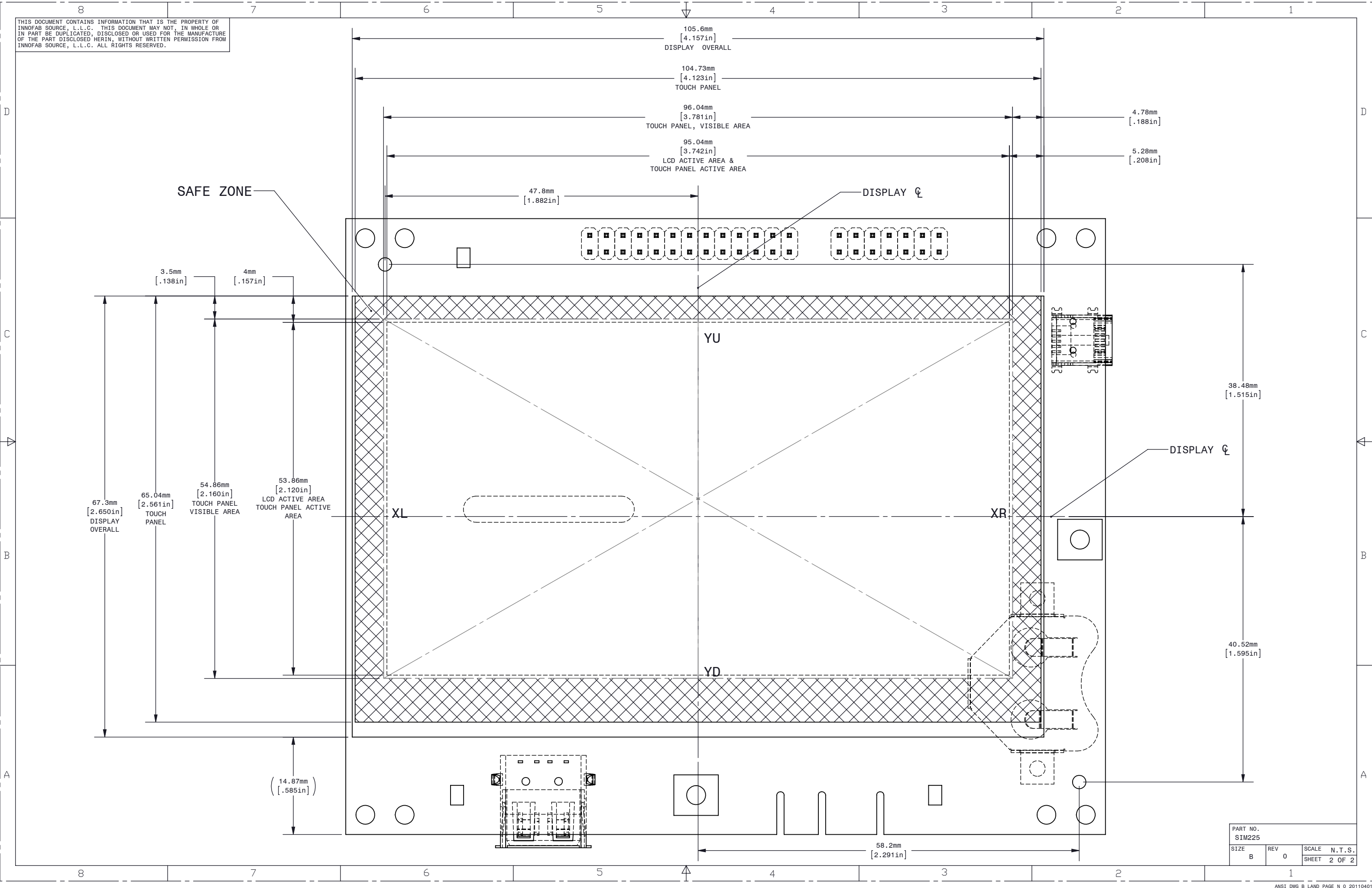
REVISIONS				
REV	DESCRIPTION	DATE	BY	CHK
0	INITIAL RELEASE	2012.11.23	M. HOPPES	G. LAHTI



- NOTES
- 1 DRAWING PER ASME Y14.5M-1994
 - 2 ALL TOLERANCES AS NOTED, UNLESS OTHERWISE SPECIFIED, DRAWING DUAL DIMENSIONED mm [INCHES]
 - 3 GENERAL TOLERANCES ON COMPONENT LOCATIONS ±0.5mm

<p>SERIOUS INTEGRATED</p> <p>THIRD ANGLE PROJECTION</p>	REF ASSY	APPROVALS	DATE	PART NO.
	-	M. HOPPES	2012.11.23	SIM225
	-	G. LAHTI	2012.11.23	NOMENCLATURE
	-	-	-	SIM225 ASM
GENERAL TOLERANCES .X ± .060 .XX ± .030 .XXX ± .010 ANGLES BEND ± .5° ANGLES MACH ± .1°	ENGR:	ALL DIMENSIONS IN INCHES REMOVE ALL BURRS & SHARP EDGES DO NOT SCALE DRAWING ALL TOLERANCES AS NOTED.		DRAWING TITLE
	63			COMPONENT DRAWING
		SIZE	REV	SCALE
		B	0	N.T.S.
				SHEET 1 OF 2

THIS DOCUMENT CONTAINS INFORMATION THAT IS THE PROPERTY OF INNOFAB SOURCE, L.L.C. THIS DOCUMENT MAY NOT, IN WHOLE OR IN PART BE DUPLICATED, DISCLOSED OR USED FOR THE MANUFACTURE OF THE PART DISCLOSED HERIN, WITHOUT WRITTEN PERMISSION FROM INNOFAB SOURCE, L.L.C. ALL RIGHTS RESERVED.



PART NO.		SIM225	
SIZE	REV	SCALE	N.T.S.
B	0		
		SHEET 2 OF 2	