



Chipsmall Limited consists of a professional team with an average of over 10 year of expertise in the distribution of electronic components. Based in Hongkong, we have already established firm and mutual-benefit business relationships with customers from,Europe,America and south Asia,supplying obsolete and hard-to-find components to meet their specific needs.

With the principle of “Quality Parts,Customers Priority,Honest Operation,and Considerate Service”,our business mainly focus on the distribution of electronic components. Line cards we deal with include Microchip,ALPS,ROHM,Xilinx,Pulse,ON,Everlight and Freescale. Main products comprise IC,Modules,Potentiometer,IC Socket,Relay,Connector.Our parts cover such applications as commercial,industrial, and automotives areas.

We are looking forward to setting up business relationship with you and hope to provide you with the best service and solution. Let us make a better world for our industry!



Contact us

Tel: +86-755-8981 8866 Fax: +86-755-8427 6832

Email & Skype: info@chipsmall.com Web: www.chipsmall.com

Address: A1208, Overseas Decoration Building, #122 Zhenhua RD., Futian, Shenzhen, China





PRODUCT NEWS

Product under development

Single 3W type

■Product outline

This is an LED module which uses high output 3W-type LED. It provides adequate light even with a single lamp, enabling it to be used for a variety of lighting applications.

■Feature

- High color rendering: Ra96
- High luminous flux 90lm/3W at 5000K
70lm/3W at 3300K
- Wide variations: Color Temp.: 5000K and 3300K,
Lens: 25° or 45° in each color
- No soldering required, constant voltage and constant current circuit can be designed due to connected with socket board harness.
(semi-custom made)



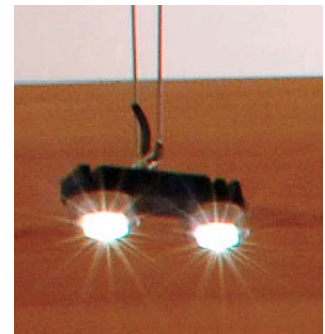
■Applications

- Spotlight
- Reading light, Picture light, Pendant light

【Product lineup】

Part number	LED color	Angle	Watts	CRI	Lumen	Dimensions
SIN3121N	White 5000K	25°	3W (21V-150mA)	Ra:96	90lm	Φ 34.8 × H20
SIN3141N		45°				
SIW3121N	Warm White 3300K	25°				
SIW3141N		45°				

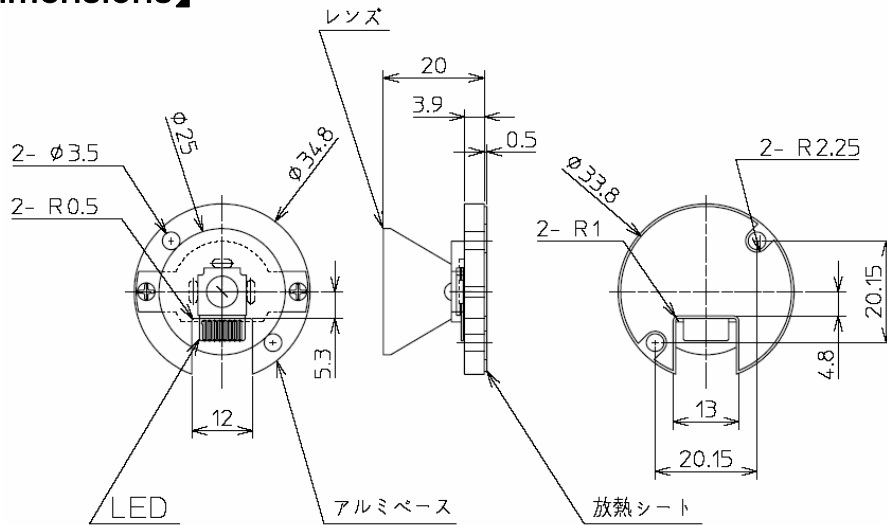
【Applied products】



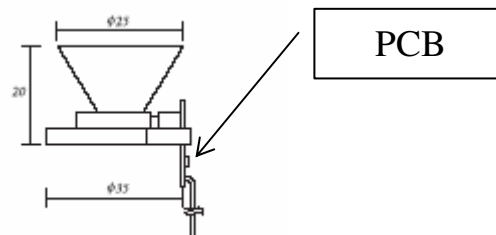
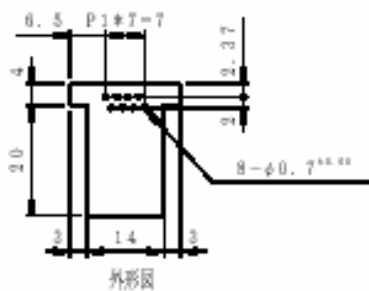
【Absolute maximum ratings】

Items	Absolute maximum ratings
Forward current	150mA
Reverse voltage	30V
Operating Temp.	-30°C~+80°C
Storage Temp.	-40°C~+85°C

【Outer dimensions】



Attached Standard PCB dimensions



Mounting PCB by dedicated socket

Dedicated socket with harness PC-board

Constant voltage or constant current drive is possible as semi- custom design

**Note: This product is not including heat-dissipation fins.
You must use suitable heat-dissipation fins for this product.**