



Chipsmall Limited consists of a professional team with an average of over 10 year of expertise in the distribution of electronic components. Based in Hongkong, we have already established firm and mutual-benefit business relationships with customers from,Europe,America and south Asia,supplying obsolete and hard-to-find components to meet their specific needs.

With the principle of “Quality Parts,Customers Priority,Honest Operation,and Considerate Service”,our business mainly focus on the distribution of electronic components. Line cards we deal with include Microchip,ALPS,ROHM,Xilinx,Pulse,ON,Everlight and Freescale. Main products comprise IC,Modules,Potentiometer,IC Socket,Relay,Connector.Our parts cover such applications as commercial,industrial, and automotives areas.

We are looking forward to setting up business relationship with you and hope to provide you with the best service and solution. Let us make a better world for our industry!



## Contact us

Tel: +86-755-8981 8866 Fax: +86-755-8427 6832

Email & Skype: info@chipsmall.com Web: www.chipsmall.com

Address: A1208, Overseas Decoration Building, #122 Zhenhua RD., Futian, Shenzhen, China

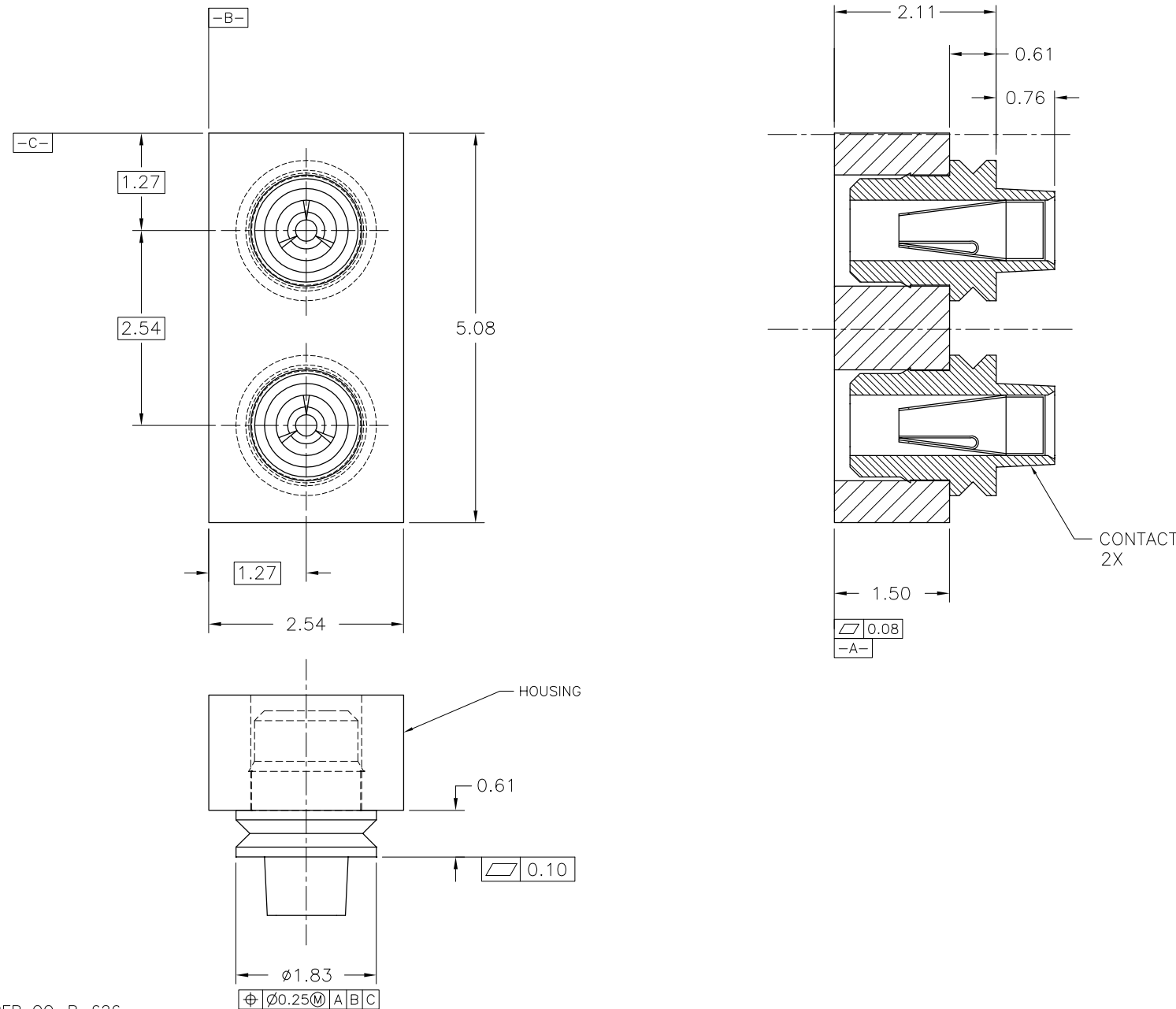


Tous droits strictement reserves. Reproduction ou communication a des tiers interdite sous quelque forme que ce soit sans autorisation ecrite du proprietaire. Propriete de c FCI. Droits de reproduction FCI.

**FCI**

All rights strictly reserved. Reproduction or issue to third parties in any form whatever is not permitted without written authority from the proprietor. Property of FCI. Copyright FCI.

PRODUCT NUMBER	DESCRIPTION	HOUSING P/N	CONTACT P/N
SIP 41430-001	STANDARD VERSION (TIN/LEAD PLATING)	58826-001	SCR 002V
SIP 41430-001LF	LEAD-FREE VERSION (TIN ONLY OPTION)	58826-001	SCR 002VLF



**NOTES**

- CONTACT MATERIAL:  
OUTER SHELL: BRASS ALLOY 360, 1/2 HARD, PER QQ-B-626.  
INNER CONTACT: BERYLLIUM COPPER, ALLOY 172, PER QQ-C-533.
- CONTACT PLATING OPTIONS:  
A. TIN/LEAD OPTION  
OUTER SHELL: 200u" TIN/LEAD PER MIL-P-81728 TYPE 1, OVER 100u" NICKEL PER QQ-N-290.  
INNER CONTACT: 200u" TIN/LEAD PER MIL-P-81728 TYPE 1, OVER 50u" NICKEL PER QQ-N-290.  
B. TIN OPTION  
OUTER SHELL: 200u" TIN OVER 100u" NICKEL PER QQ-N-290.  
INNER CONTACT: 200u" TIN, OVER 50u" NICKEL PER QQ-N-290.
- INSULATOR MATERIAL:  
STANYL (46 NYLON) BLACK
- NO CRACKING OF THE INSULATOR IS ALLOWED, EITHER BETWEEN CONTACT POSITIONS OR BETWEEN CONTACT POSITION AND OUTER PERIMETER OF THE INSULATOR.
- TERMINAL RETENTION IN HOUSING: 2 LB. MINIMUM.
- PACKAGE PER GS-14-494.

mat'l. code				tolerances unless otherwise specified		CUSTOMER COPY	 www.fciconnect.com	
ltr	ecn no	dr	date	linear	.X ±.3			projection
A	V05-0282	LP	4/7/05		.XX ±.10	 title 2 POS. SMT, SINGLE ROW REAR ENTRY SIP SOCKET		
				angles	.XXX ±.050		product family	
				dr	L.POTTEIGER 4/7/05	size	dwg no	code
				engr	D.HORCHLER 4/7/05	scale	A4	213
				chr	D.HORCHLER 4/7/05	4/1	58825	sheet
				appd	D.HORCHLER 4/7/05			1 of 1
sheet index	revision sheet	A	1					

cage code  
22526

ACAD