



Chipsmall Limited consists of a professional team with an average of over 10 year of expertise in the distribution of electronic components. Based in Hongkong, we have already established firm and mutual-benefit business relationships with customers from,Europe,America and south Asia,supplying obsolete and hard-to-find components to meet their specific needs.

With the principle of "Quality Parts,Customers Priority,Honest Operation,and Considerate Service",our business mainly focus on the distribution of electronic components. Line cards we deal with include Microchip,ALPS,ROHM,Xilinx,Pulse,ON,Everlight and Freescale. Main products comprise IC,Modules,Potentiometer,IC Socket,Relay,Connector.Our parts cover such applications as commercial,industrial, and automotives areas.

We are looking forward to setting up business relationship with you and hope to provide you with the best service and solution. Let us make a better world for our industry!



Contact us

Tel: +86-755-8981 8866 Fax: +86-755-8427 6832

Email & Skype: info@chipsmall.com Web: www.chipsmall.com

Address: A1208, Overseas Decoration Building, #122 Zhenhua RD., Futian, Shenzhen, China



SiT6303EB Evaluation Boards User Manual for Single-Ended Oscillators

1	Introduction	1
2	Board Information	1
3	Usage Notes	2

1 Introduction

The SiT6303EB series of evaluation board allows a user to evaluate the functionality of SiTime pre-programmed 4-pins oscillator of SiT8021 series on a customer's Circuit Board. SiTime recommends evaluating parts in a soldered down condition, for best signal integrity, and for best conformance to typical condition in practical applications, where parts are soldered down into a production system. The SiT6303EB series support 1.55 x 0.85 mm CSP (chip-scaled package) type.

2 Board Information

The schematic of the board is shown on Figure 1. There is one Edge Connector J1 for pre-programming the part on SiTime factory. Between Pin 3 (VDD) and Pin 4 (GND) the ceramic bypass capacitor 0.1 uF with package type 0402 (1005 metric) is using.

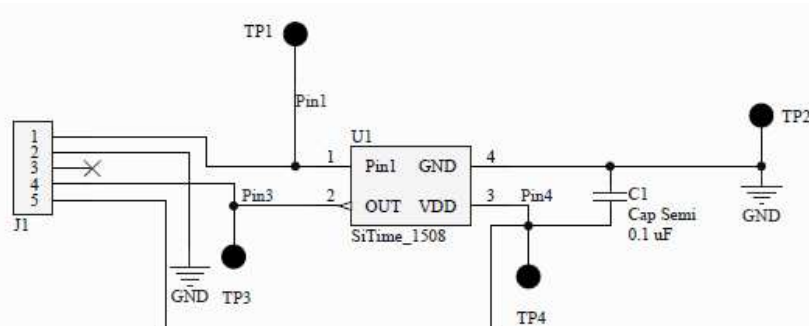


Figure 1: SiT6303EB r. 1.0 schematic

The layout of the board Top side and Bottom side are shown on Figure 2 and Figure 3 correspondently. Board dimensions are 15 x 10 mm.

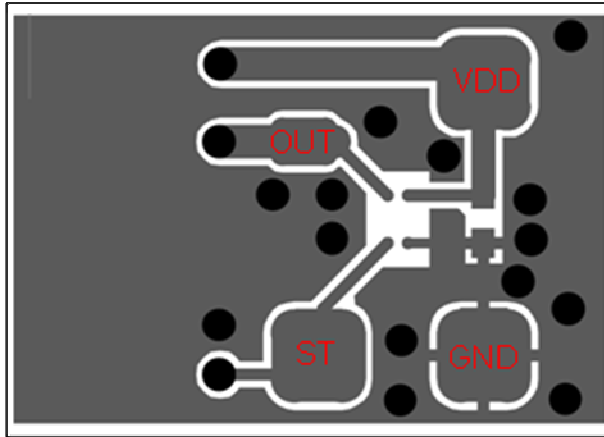


Figure 2: SiT6303EB layout (Top side)

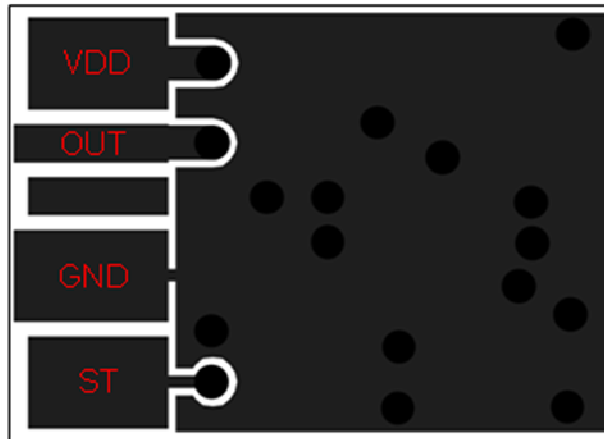


Figure 3: SiT6303EB layout (Bottom side)

3 Usage Notes

Customer can connect the Evaluating Board to his Circuit Board by wires soldering ones at points “ST”, “GND”, “VDD” and “OUT” (see Figure 2) and correspondent points of customer Circuit Board. Wires length should be about 0.5”.

SiTime Corporation
990 Almanor Avenue
Sunnyvale, CA 94085
USA
Phone: 408-328-4400
<http://www.sitime.com>

© SiTime Corporation, 2008-2009. The information contained herein is subject to change at any time without notice. SiTime assumes no responsibility or liability for any loss, damage or defect of a Product which is caused in whole or in part by (i) use of any circuitry other than circuitry embodied in a SiTime product, (ii) misuse or abuse including static discharge, neglect or accident, (iii) unauthorized modification or repairs which have been soldered or altered during assembly and are not capable of being tested by SiTime under its normal test conditions, or (iv) improper installation, storage, handling, warehousing or transportation, or (v) being subjected to unusual physical, thermal, or electrical stress.

Disclaimer: SiTime makes no warranty of any kind, express or implied, with regard to this material, and specifically disclaims any and all express or implied warranties, either in fact or by operation of law, statutory or otherwise, including the implied warranties of merchantability and fitness for use or a particular purpose, and any implied warranty arising from course of dealing or usage of trade, as well as any common-law duties relating to accuracy or lack of negligence, with respect to this material, any SiTime product and any product documentation. Products sold by SiTime are not suitable or intended to be used in a life support application or component, to operate nuclear facilities, or in other mission critical applications where human life may be involved or at stake.