



Chipsmall Limited consists of a professional team with an average of over 10 year of expertise in the distribution of electronic components. Based in Hongkong, we have already established firm and mutual-benefit business relationships with customers from,Europe,America and south Asia,supplying obsolete and hard-to-find components to meet their specific needs.

With the principle of “Quality Parts,Customers Priority,Honest Operation,and Considerate Service”,our business mainly focus on the distribution of electronic components. Line cards we deal with include Microchip,ALPS,ROHM,Xilinx,Pulse,ON,Everlight and Freescale. Main products comprise IC,Modules,Potentiometer,IC Socket,Relay,Connector.Our parts cover such applications as commercial,industrial, and automotives areas.

We are looking forward to setting up business relationship with you and hope to provide you with the best service and solution. Let us make a better world for our industry!



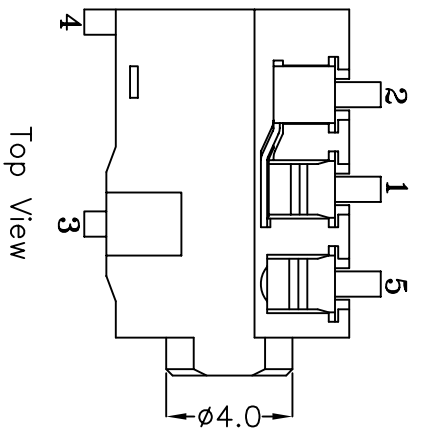
Contact us

Tel: +86-755-8981 8866 Fax: +86-755-8427 6832

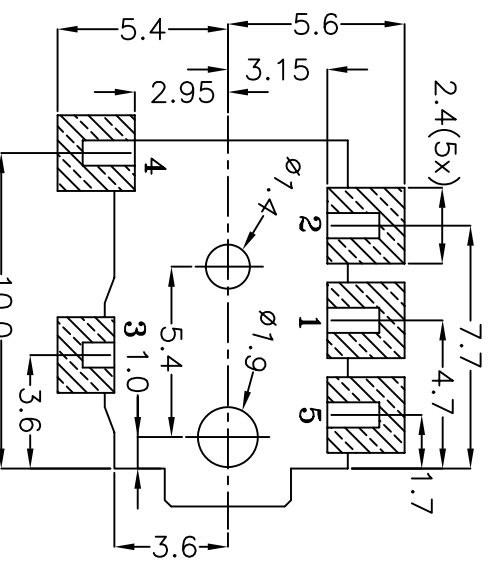
Email & Skype: info@chipsmall.com Web: www.chipsmall.com

Address: A1208, Overseas Decoration Building, #122 Zhenhua RD., Futian, Shenzhen, China

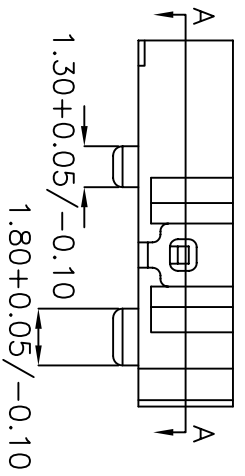




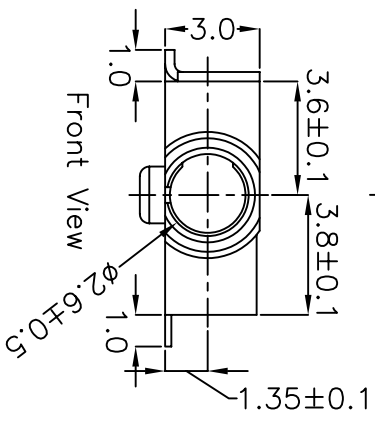
Top View



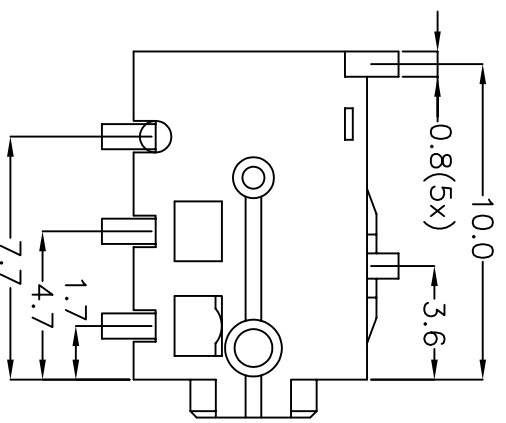
PCB Pad Layout
Top View



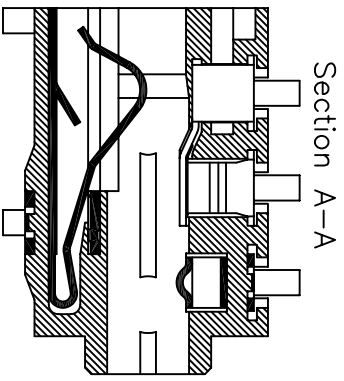
Side View



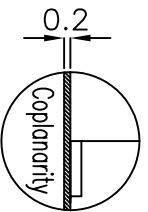
Front View



Bottom View

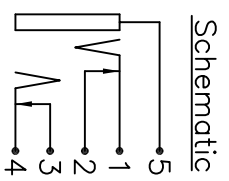


Section A-A

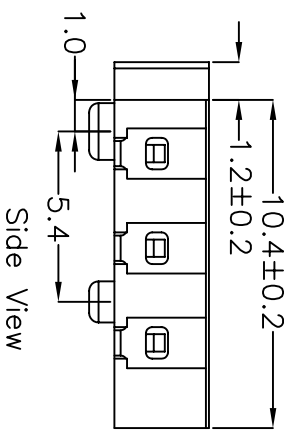


Mounting Surface

- Specifications:
1. Rated Voltage – 16 VDC
 2. Rated Current – 300 mA
 3. Contact Resistance – 100 mOHMS or less under all conditions, including After Life Testing.
 4. Insulation Resistance – 100 MOHMS or greater at 250 VDC.
 5. Dielectric Withstand Voltage – 250 VAC RMS for 1 minute.



Schematic



Side View

Term	Material	Color	Plating	Remark
Plastic Housing <P1>	Polyamide	Black		Ul94V-0 Rated
Ring Contact <M1>	Ti-Cu Alloy		Gold Flash	20T
Shunt Ring <M2>	PBS		Gold Flash	20T
Shunt (Tip) <M3>	Brass		Gold Flash	30T
Tip Contact <M4>	Ti-Cu Alloy		Gold Flash	20T
Ground <M5>	Ti-Cu Alloy		Gold Flash	20T



9615 SW Allen, Suite 103
Beaverton, OR 97005
Phone: (503) 643-4899
800-275-4899
Fax: (503) 372-1266
Website: www.cui.com

TITLE: 2.50 Surface Mount Jack – Stereo

PART NO. SJ-2535-SMT UNITS: Millimeters

DRAWN BY: Todd R. White APPROVED BY: SCALE: 4X