



Chipsmall Limited consists of a professional team with an average of over 10 year of expertise in the distribution of electronic components. Based in Hongkong, we have already established firm and mutual-benefit business relationships with customers from,Europe,America and south Asia,supplying obsolete and hard-to-find components to meet their specific needs.

With the principle of “Quality Parts,Customers Priority,Honest Operation,and Considerate Service”,our business mainly focus on the distribution of electronic components. Line cards we deal with include Microchip,ALPS,ROHM,Xilinx,Pulse,ON,Everlight and Freescale. Main products comprise IC,Modules,Potentiometer,IC Socket,Relay,Connector.Our parts cover such applications as commercial,industrial, and automotives areas.

We are looking forward to setting up business relationship with you and hope to provide you with the best service and solution. Let us make a better world for our industry!



## Contact us

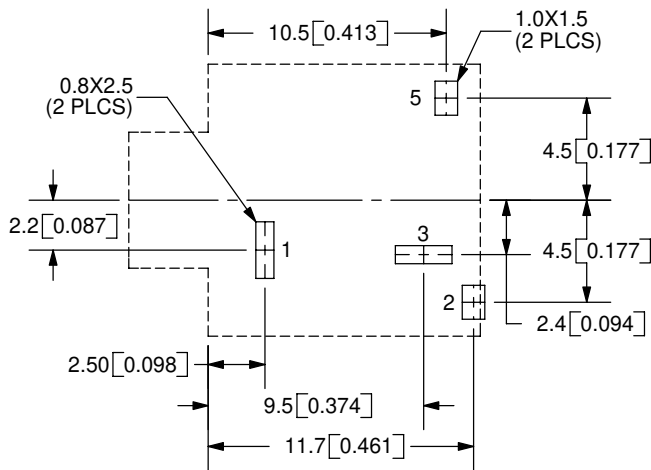
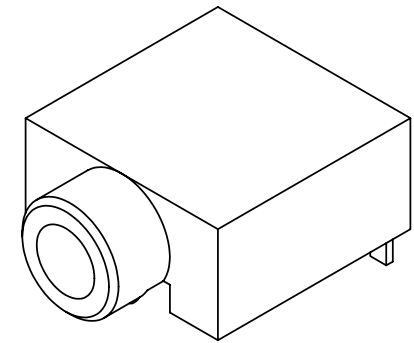
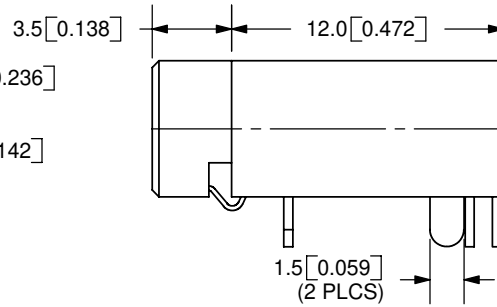
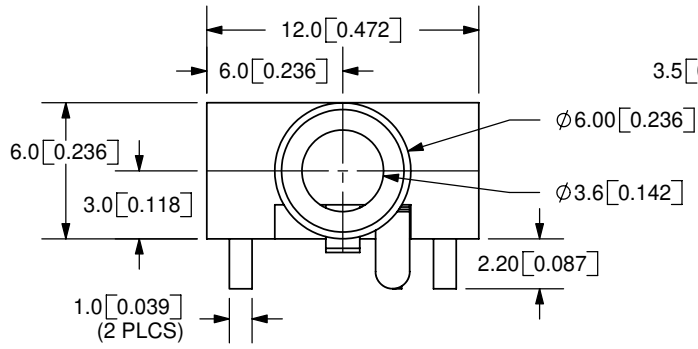
Tel: +86-755-8981 8866 Fax: +86-755-8427 6832

Email & Skype: info@chipsmall.com Web: www.chipsmall.com

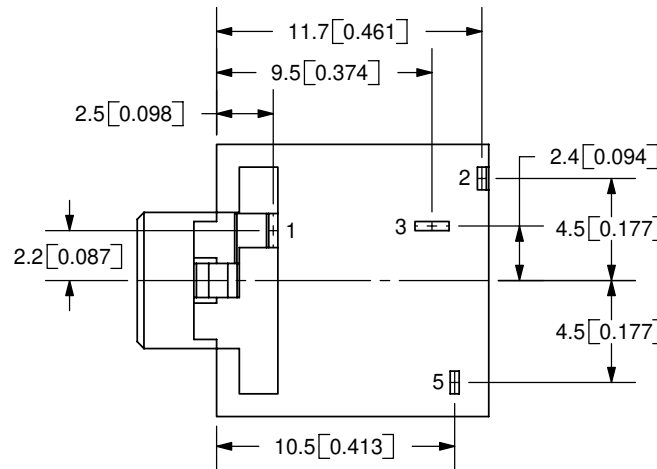
Address: A1208, Overseas Decoration Building, #122 Zhenhua RD., Futian, Shenzhen, China



REV.	DESCRIPTION	DATE
A	NEW DRAWING	1/3/2006
B	Updated PCB layout	4/19/2006



PCB LAYOUT  
TOP VIEW



TOLERANCE:  
±0.3mm UNLESS OTHERWISE  
SPECIFIED



MODEL NO.	SJ-3504
SCHMATIC	

**SPECIFICATIONS:**  
 RATING: 12V DC @ 1A  
 CONTACT RESISTANCE: 10 ~ 20m OHMS MAX  
 INSULATION RESISTANCE: 50M OHMS MIN: 500V DC  
 VOLTAGE WITHSTAND: 250V AC R.M.S. FOR 1 MINUTE  
 LIFE: 10,000 CYCLES

	MATERIAL	PLATING
TERMINAL 1	Brass	Silver
TERMINAL 2	Copper Titanium	Silver
TERMINAL 3	Brass	Silver
TERMINAL 5	Copper Titanium	Silver
HOUSING	PBT	



9615 SW Allen Blvd., Ste. 103  
 Beaverton, OR 97005  
 Phone: 503-643-4899  
 800-275-4899  
 Fax: 503-372-1266  
 Website: www.cui.com

TITLE: 3.5mm AUDIO JACK-STEREO	REV: B
PART NO. SJ-3504	UNITS: MM [INCHES]
DRAWN BY: ZRJ	APPROVED BY:
	SCALE: 3:1

PC FILE NAME:  
SJ-3504

COPYRIGHT 2006 BY CUI INC.