



Chipsmall Limited consists of a professional team with an average of over 10 year of expertise in the distribution of electronic components. Based in Hongkong, we have already established firm and mutual-benefit business relationships with customers from,Europe,America and south Asia,supplying obsolete and hard-to-find components to meet their specific needs.

With the principle of “Quality Parts,Customers Priority,Honest Operation,and Considerate Service”,our business mainly focus on the distribution of electronic components. Line cards we deal with include Microchip,ALPS,ROHM,Xilinx,Pulse,ON,Everlight and Freescale. Main products comprise IC,Modules,Potentiometer,IC Socket,Relay,Connector.Our parts cover such applications as commercial,industrial, and automotives areas.

We are looking forward to setting up business relationship with you and hope to provide you with the best service and solution. Let us make a better world for our industry!



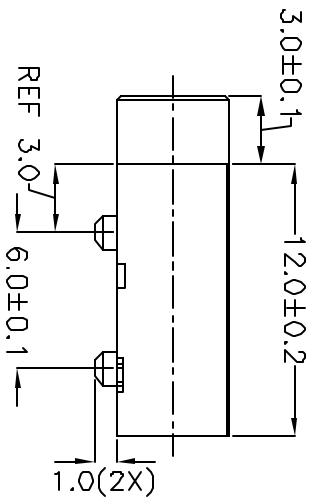
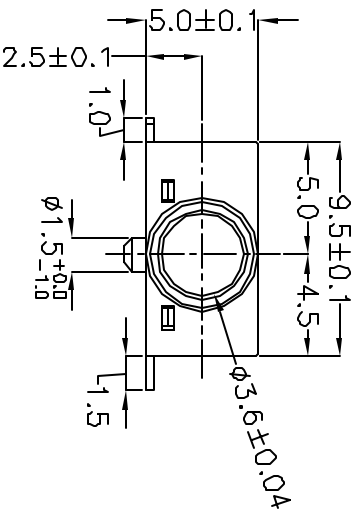
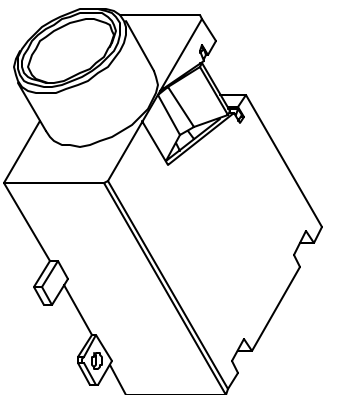
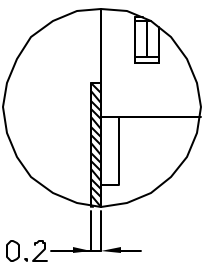
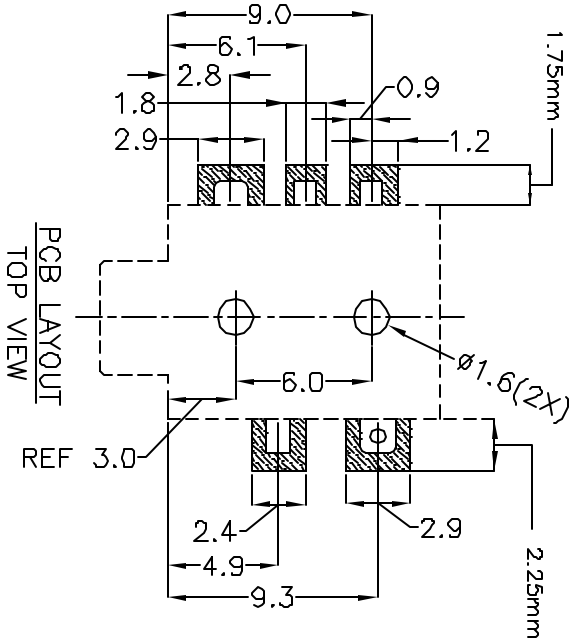
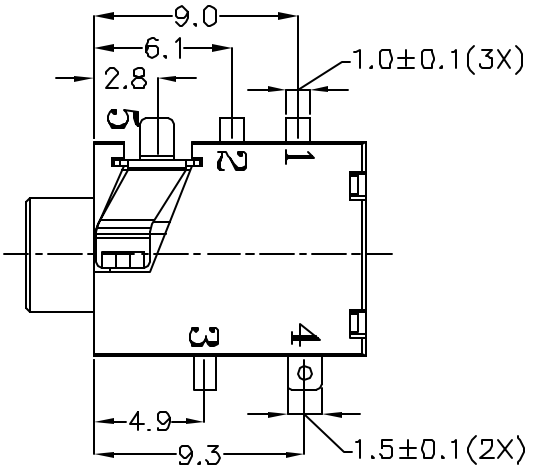
## Contact us

Tel: +86-755-8981 8866 Fax: +86-755-8427 6832

Email & Skype: info@chipsmall.com Web: www.chipsmall.com

Address: A1208, Overseas Decoration Building, #122 Zhenhua RD., Futian, Shenzhen, China





NO.	PART NAME	MATERIAL	PLATING	REMARKS
1	HOUSING	POLYAMIDE		UL94V0
2	BOTTOM COVER	POLYAMIDE		UL94V0
3	RING TERMINAL	Cu-Ti	GOLD FLASH	25 MICRONS
4	SHUNT TERMINAL	BRASS	GOLD FLASH	30 MICRONS
5	TIP TERMINAL	BRASS	GOLD FLASH	30 MICRONS
6	SLEEVE (EARTH) TERMINAL	PBS	GOLD FLASH	30 MICRONS

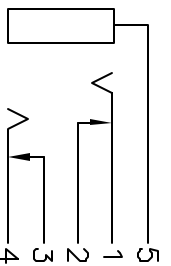


9815 SW Allen, Suite 109  
 Beaverton, OR 97005  
 Phone: (503) 643-4899  
 800-275-4899  
 Fax: (503) 372-1286  
 Website: www.cui.com

**SPECIFICATIONS:**

1. RATED VOLTAGE-16 VDC
2. RATED CURRENT-300 mA
3. CONTACT RESISTANCE-100 MOHMS OR LESS UNDER ALL CONDITIONS, INCLUDING AFTER LIFE TESTING.
4. INSULATION RESISTANCE-100 MOHMS OR GREATER AT 500 VDC.
5. DIELECTRIC WITHSTAND VOLTAGE-500 VAC RMS FOR 1 MINUTE.

**SCHEMATIC**



PC FILE NAME: SJ-3515-SMT.DWG

COPYRIGHT 1999 BY CUI INC.

TITLE: 3.5mm SURFACE MOUNT AUDIO JACK-STEREO		UNITS: Millimeters
PART NO. SJ-3515-SMT		
DRAWN BY: Todd R. White	APPROVED BY:	SCALE: 3X