



Chipsmall Limited consists of a professional team with an average of over 10 year of expertise in the distribution of electronic components. Based in Hongkong, we have already established firm and mutual-benefit business relationships with customers from,Europe,America and south Asia,supplying obsolete and hard-to-find components to meet their specific needs.

With the principle of “Quality Parts,Customers Priority,Honest Operation,and Considerate Service”,our business mainly focus on the distribution of electronic components. Line cards we deal with include Microchip,ALPS,ROHM,Xilinx,Pulse,ON,Everlight and Freescale. Main products comprise IC,Modules,Potentiometer,IC Socket,Relay,Connector.Our parts cover such applications as commercial,industrial, and automotives areas.

We are looking forward to setting up business relationship with you and hope to provide you with the best service and solution. Let us make a better world for our industry!



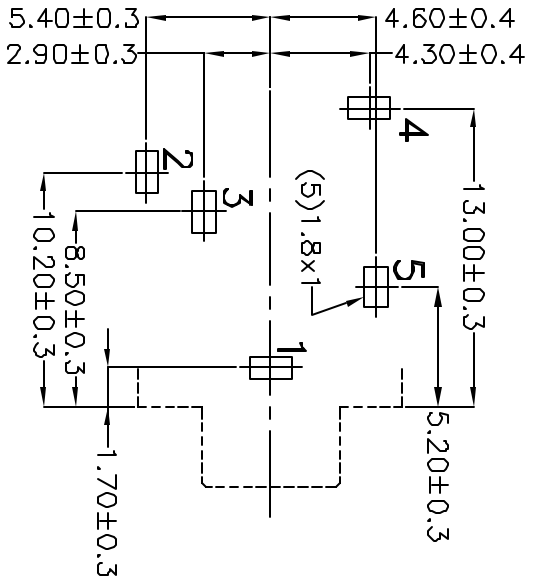
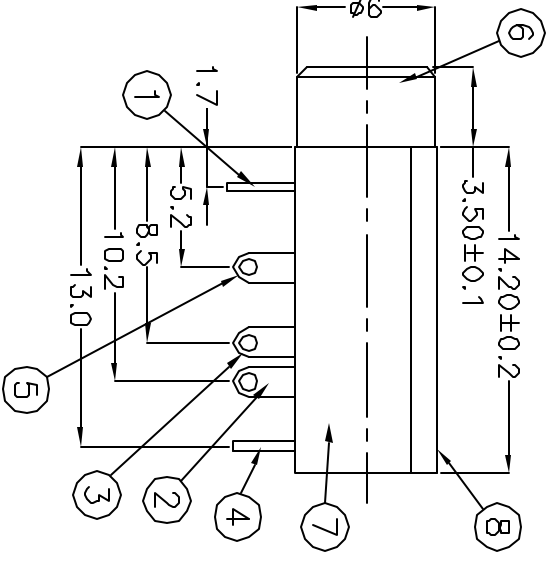
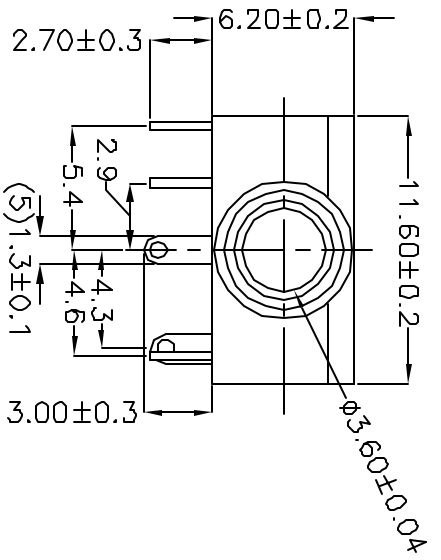
## Contact us

Tel: +86-755-8981 8866 Fax: +86-755-8427 6832

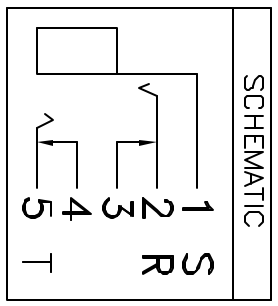
Email & Skype: info@chipsmall.com Web: www.chipsmall.com

Address: A1208, Overseas Decoration Building, #122 Zhenhua RD., Futian, Shenzhen, China





HOLE LAYOUT  
(TOP VIEW)



**SPECIFICATIONS:**  
 RATING: 12V DC @ 1A  
 CONTACT RESISTANCE:  
 30 MOHMS MAX  
 INSULATION RESISTANCE:  
 100 MOHMS MIN @ 500V DC  
 WITHSTAND VOLTAGE:  
 500V AC FOR 1 MINUTE  
 LIFE: 5,000 CYCLES

NO.	DESCRIPTION	MATERIAL	QTY	FINISH
8	COVER	PC	1	TRANS PARENT
7	HOUSING	POM	1	BLACK COLOR
6	BARREL (W/O THREAD)	BRASS	1	NICKEL PLATED
5	TIP SPRING	0.25T PHOSPHOR BRONZE	1	SILVER PLATED
4	BREAK TERMINAL	0.4T BRASS	1	SILVER PLATED
3	BREAK TERMINAL	0.4T BRASS	1	SILVER PLATED
2	RING SPRING	0.25T PHOSPHOR BRONZE	1	SILVER PLATED
1	EARTH TERMINAL	0.4T BRASS	1	SILVER PLATED

**CUI INC**  
 9615 SW Allen, Suite 103  
 Beaverton, OR 97006  
 Phone: (503) 643-4899  
 800-276-4899  
 Fax: (503) 372-1266  
 Website: www.cui.com

TITLE:  
**3.5mm AUDIO JACK - STEREO**

PART NO: SJ-3515N UNITS: MILLIMETERS  
 DRAWN BY: Todd R. White APPROVED BY: SCALE: 3X