



Chipsmall Limited consists of a professional team with an average of over 10 year of expertise in the distribution of electronic components. Based in Hongkong, we have already established firm and mutual-benefit business relationships with customers from,Europe,America and south Asia,supplying obsolete and hard-to-find components to meet their specific needs.

With the principle of “Quality Parts,Customers Priority,Honest Operation,and Considerate Service”,our business mainly focus on the distribution of electronic components. Line cards we deal with include Microchip,ALPS,ROHM,Xilinx,Pulse,ON,Everlight and Freescale. Main products comprise IC,Modules,Potentiometer,IC Socket,Relay,Connector.Our parts cover such applications as commercial,industrial, and automotives areas.

We are looking forward to setting up business relationship with you and hope to provide you with the best service and solution. Let us make a better world for our industry!



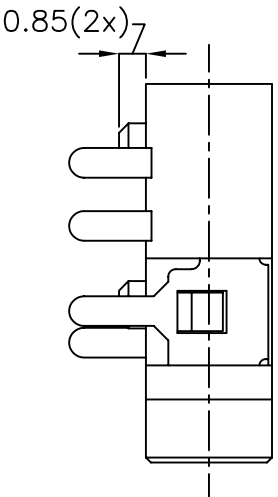
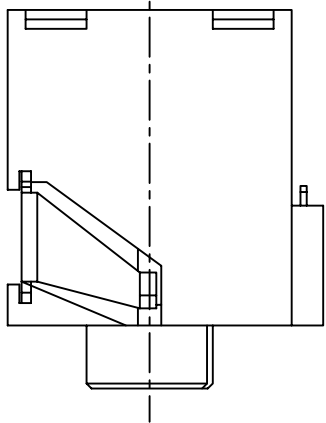
## Contact us

Tel: +86-755-8981 8866 Fax: +86-755-8427 6832

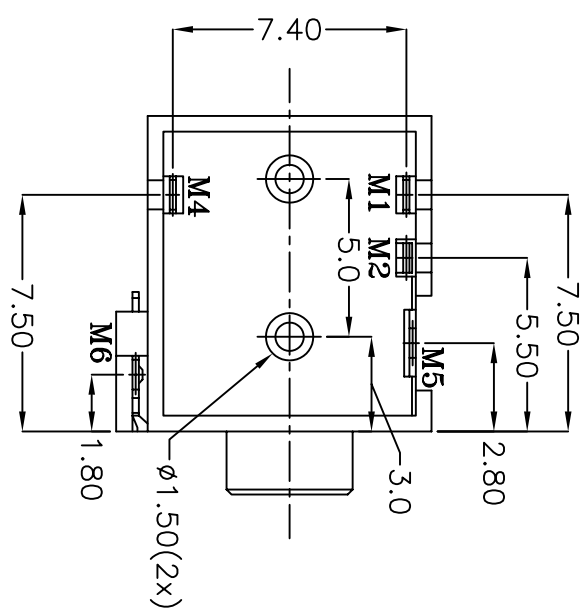
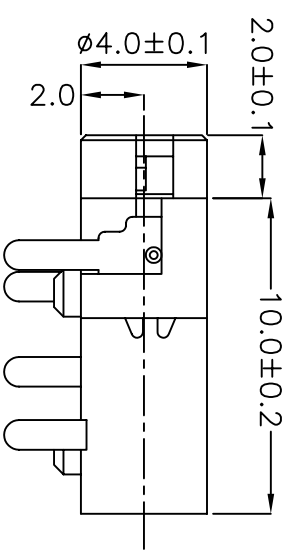
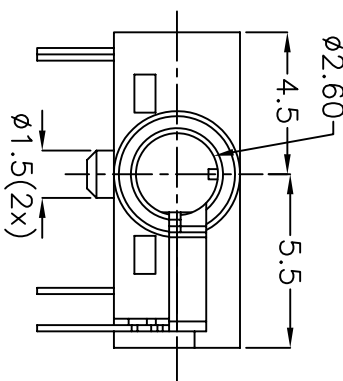
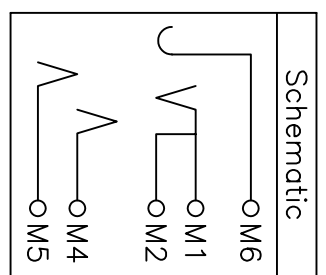
Email & Skype: info@chipsmall.com Web: www.chipsmall.com

Address: A1208, Overseas Decoration Building, #122 Zhenhua RD., Futian, Shenzhen, China

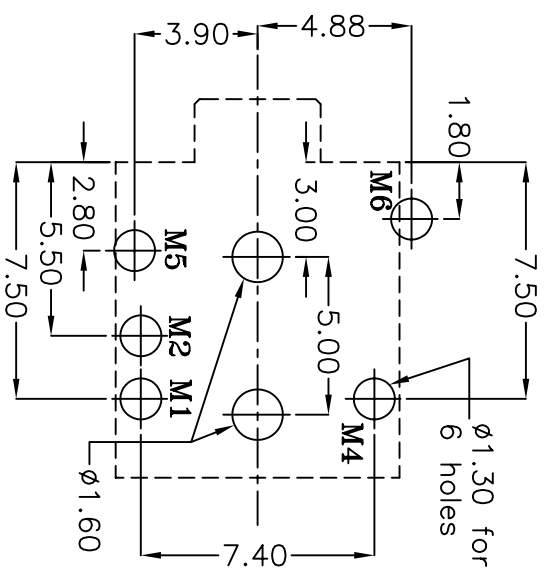




**Specifications**  
 Rated Voltage: 16VDC  
 Rated Current: 300MA  
 Contact Resistance: 100 mOHMS or less under all conditions including after life testing.  
 Insulation Resistance: 100 M OHMS or greater at 500VDC.  
 Dielectric Withstand Voltage: 250VAC RMS for 1 minute.  
 Life: 5,000 cycles min.



Bottom View



PC Board Layout Bottom Board View

7	Ground(M6)	PBS	Au	1	30T
6	Extra Ring(M5)	PBS	Au	1	30T
5	Tip Contact(M4)	Ti-Cu	Au	1	20T
4	Ring Shunt(M2)	Brass	Au	1	30T
3	Ring Contact(M1)	Ti-Cu	Au	1	20T
2	Cover(P2-ST)	PY6T		1	UL-94V-0
1	Housing(P1-LCP)	LCP		1	UL-94V-0
Item	Name	Material	Finish	Qty	Note



9615 SW Allen, Suite 103  
 Beaverton, OR 97005  
 Phone: (503) 643-4899  
 800-275-4899  
 Fax: (503) 372-1266  
 Website: www.cui.com

TITLE: 2.5mm Audio Jack w/4 Conductors

PART NO. SJ-42515RS UNITS: Millimeters

DRAWN BY: Todd R. White APPROVED BY: SCALE: 4x