



Chipsmall Limited consists of a professional team with an average of over 10 year of expertise in the distribution of electronic components. Based in Hongkong, we have already established firm and mutual-benefit business relationships with customers from,Europe,America and south Asia,supplying obsolete and hard-to-find components to meet their specific needs.

With the principle of "Quality Parts,Customers Priority,Honest Operation,and Considerate Service",our business mainly focus on the distribution of electronic components. Line cards we deal with include Microchip,ALPS,ROHM,Xilinx,Pulse,ON,Everlight and Freescale. Main products comprise IC,Modules,Potentiometer,IC Socket,Relay,Connector.Our parts cover such applications as commercial,industrial, and automotives areas.

We are looking forward to setting up business relationship with you and hope to provide you with the best service and solution. Let us make a better world for our industry!



## Contact us

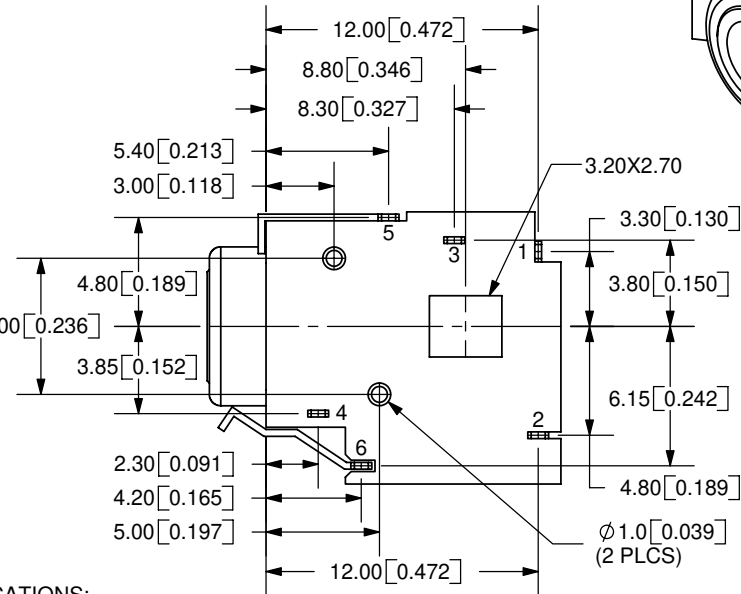
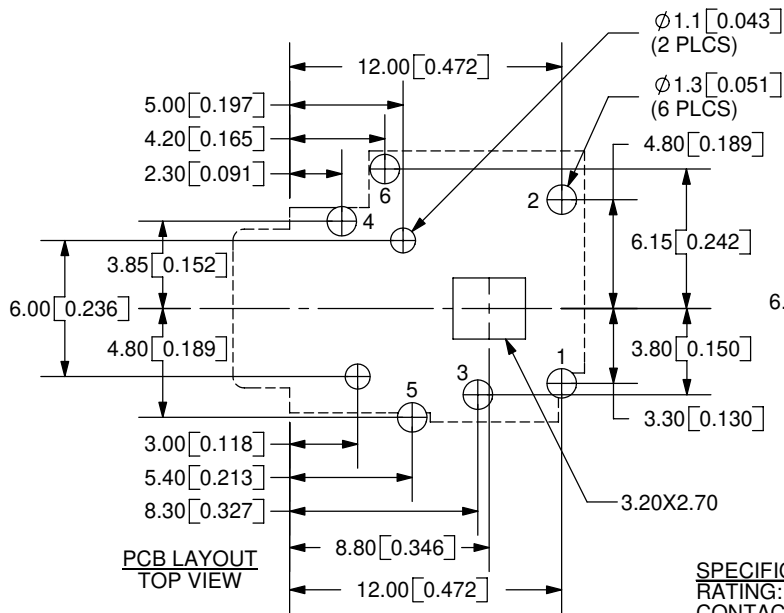
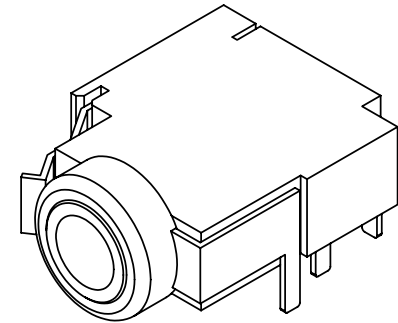
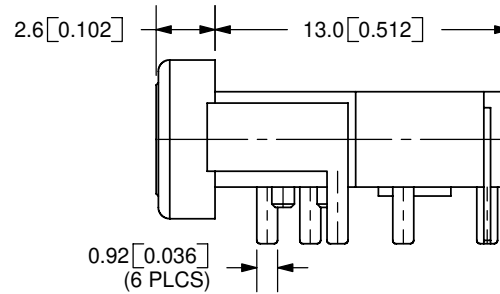
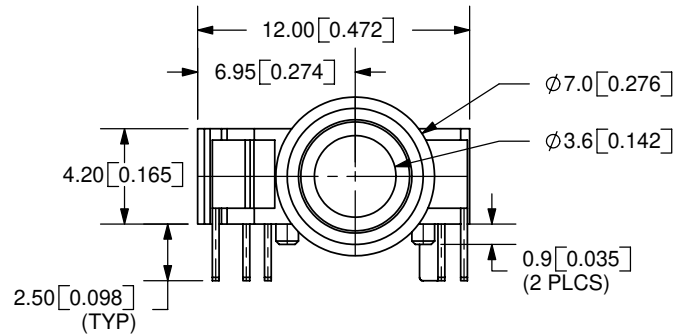
Tel: +86-755-8981 8866 Fax: +86-755-8427 6832

Email & Skype: info@chipsmall.com Web: www.chipsmall.com

Address: A1208, Overseas Decoration Building, #122 Zhenhua RD., Futian, Shenzhen, China



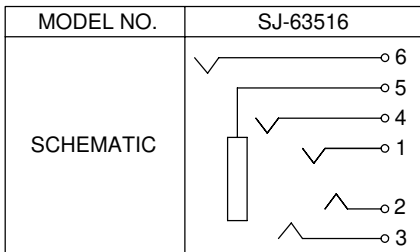
REV.	DESCRIPTION	DATE
A	NEW DRAWING	12/ 12/ 2005



TOLERANCE:  
X.X ±0.3mm  
X.XX ±0.2mm



**SPECIFICATIONS:**  
 RATING: 16V DC @ 300mA  
 CONTACT RESISTANCE: 100m OHMS MAX  
 INSULATION RESISTANCE: 100M OHMS MIN: 500V DC  
 VOLTAGE WITHSTAND: 500V AC R.M.S. FOR 1 MINUTE  
 LIFE: 5,000 CYCLES



	MATERIAL	PLATING
TERMINAL 1	PBS	Tin
TERMINAL 2	Brass	Tin
TERMINAL 3	PBS	Tin
TERMINAL 4	PBS	Tin
TERMINAL 5	Brass	Gold
TERMINAL 6	PBS	Tin
SPRING	Brass	
HOUSING	Nylon 66	



9615 SW Allen Blvd., Ste. 103  
 Beaverton, OR 97005  
 Phone: 503-643-4899  
 800-275-4899  
 Fax: 503-372-1266  
 Website: www.cui.com

TITLE:	AUDIO JACK W/6 CONDUCTORS 3.5mm	REV:	A
PART NO.	SJ-63516	UNITS:	MM [INCHES]
DRAWN BY:	ZRJ	APPROVED BY:	
		SCALE:	3:1

PC FILE NAME:  
SJ-63516

COPYRIGHT 2006 BY CUI INC.