



Chipsmall Limited consists of a professional team with an average of over 10 year of expertise in the distribution of electronic components. Based in Hongkong, we have already established firm and mutual-benefit business relationships with customers from,Europe,America and south Asia,supplying obsolete and hard-to-find components to meet their specific needs.

With the principle of “Quality Parts,Customers Priority,Honest Operation,and Considerate Service”,our business mainly focus on the distribution of electronic components. Line cards we deal with include Microchip,ALPS,ROHM,Xilinx,Pulse,ON,Everlight and Freescale. Main products comprise IC,Modules,Potentiometer,IC Socket,Relay,Connector.Our parts cover such applications as commercial,industrial, and automotives areas.

We are looking forward to setting up business relationship with you and hope to provide you with the best service and solution. Let us make a better world for our industry!



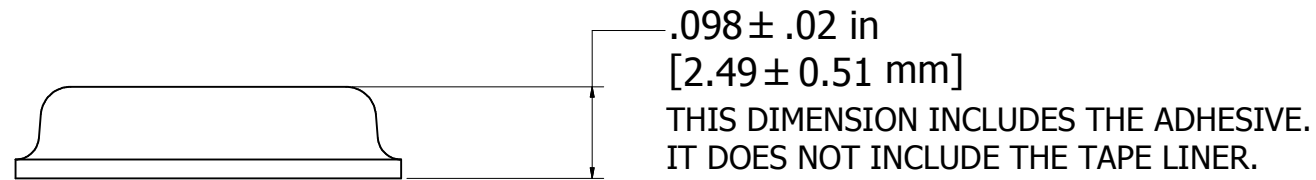
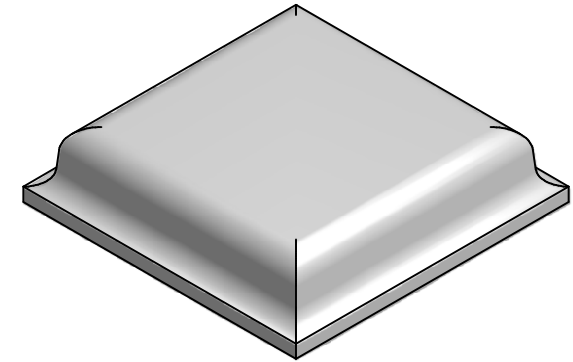
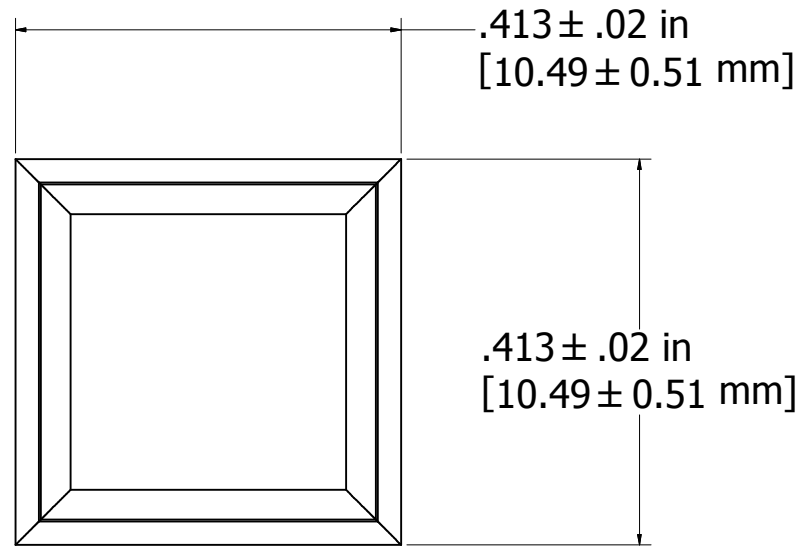
Contact us

Tel: +86-755-8981 8866 Fax: +86-755-8427 6832

Email & Skype: info@chipsmall.com Web: www.chipsmall.com

Address: A1208, Overseas Decoration Building, #122 Zhenhua RD., Futian, Shenzhen, China





6 x 9 PCS PER PAD
 56 PADS PER CASE
 3000 PCS PER CASE
 ALL RADIUS DIMENSIONS ARE REFERENCE ONLY

ACCESS CODES		DESIGN REFERENCE		NEXT ASSEMBLY	
REV	PROJECT ID	DATE	DESCRIPTION	DRWN	CHKD
DRWN a0fpccz		DATE 4/22/2010	MFG	DATE	
CHKD		DATE	APPRD	DATE	
 3M CENTER ST. PAUL, MN 55144		3M COPYRIGHT This document is the property of 3M Company. All rights reserved.			
TITLE SJxx07 BUMPON 3M BUMPON					
BLDG. NO.					
SIZE D	DRAWING NUMBER SJxx07		SHEET 1 OF 1	REV	