



Chipsmall Limited consists of a professional team with an average of over 10 year of expertise in the distribution of electronic components. Based in Hongkong, we have already established firm and mutual-benefit business relationships with customers from,Europe,America and south Asia,supplying obsolete and hard-to-find components to meet their specific needs.

With the principle of “Quality Parts,Customers Priority,Honest Operation,and Considerate Service”,our business mainly focus on the distribution of electronic components. Line cards we deal with include Microchip,ALPS,ROHM,Xilinx,Pulse,ON,Everlight and Freescale. Main products comprise IC,Modules,Potentiometer,IC Socket,Relay,Connector.Our parts cover such applications as commercial,industrial, and automotives areas.

We are looking forward to setting up business relationship with you and hope to provide you with the best service and solution. Let us make a better world for our industry!



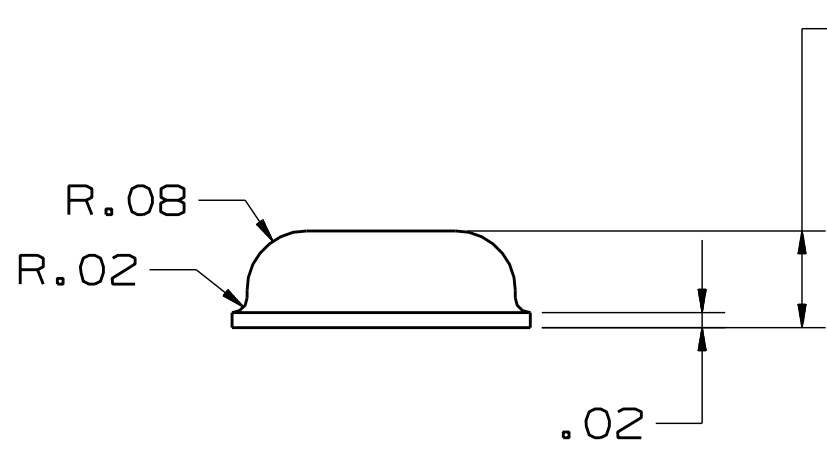
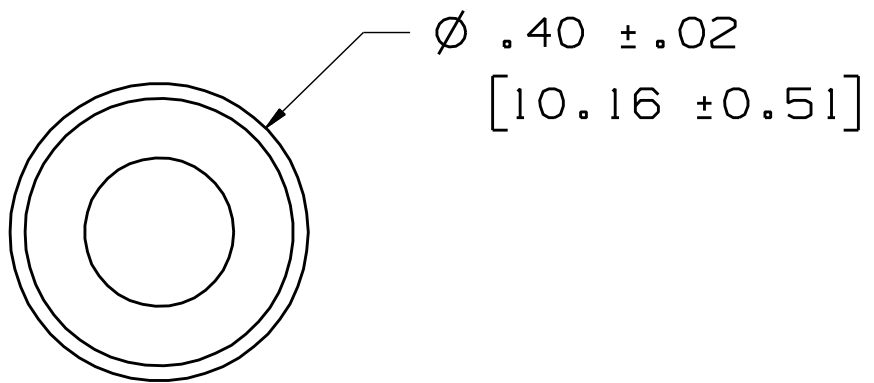
Contact us

Tel: +86-755-8981 8866 Fax: +86-755-8427 6832

Email & Skype: info@chipsmall.com Web: www.chipsmall.com

Address: A1208, Overseas Decoration Building, #122 Zhenhua RD., Futian, Shenzhen, China





$.13 \pm .02$
 $[3.30 \pm 0.51]$
 THIS DIMENSION INCLUDES THE ADHESIVE.
 IT DOES NOT INCLUDE THE TAPE LINER.

7 x 12 PCS PER PAD
 18 PADS PER CASE
 1500 PCS PER CASE
 ALL RADIUS DIMENSIONS ARE REFERENCE ONLY

DESIGN REFERENCE		NEXT ASSEMBLY		A	DEC 21, 2010			
DISTRIBUTION CODES				REV	ECO	ISSUE DATE AND DESCRIPTION	DRFT	CHKD
				DRFT	JAK	DATE	DEC 21, 2010	MFG
				CHKD		DATE		DATE
DIVISION				DIVISION CODE		© 3M COPYRIGHT 2010 This document and the information it contains are 3M property and may not be reproduced or further distributed without 3M permission, or used or disclosed other than for 3M authorized purposes. All rights reserved.		
DO NOT SCALE DRAWING	SCALE	TOLERANCES EXCEPT AS NOTED		3M Center St. Paul, MN 55144		TITLE		
	4 1	INCHES		SJXX78 BUMPON 3M BUMPON				
THIRD ANGLE PROJECTION		.0 ± .1 .00 ± .02 .000 ± .005 .0000 ± .0002						
INTERPRET PER ASME Y14.5 - 1994		MILLIMETERS		CAGE NUMBER				
MAX SURFACE ROUGHNESS		0 ± .0 ± .00 ± .000 ±		DRAWING NO. B	REV.			
125	<input type="checkbox"/> ALL SURFACES <input checked="" type="checkbox"/> MARKED ONLY	ANGLES ± 1°		MODEL	DET. LISTS		<input type="checkbox"/> YES <input checked="" type="checkbox"/> NO	SHT 1 OF 1